

CRX1000 GASOLINE ENGINE OPERATOR'S MANUAL

If your engine is not working properly or if there are parts missing or broken, please DO NOT RETURN IT TO THE PLACE OF PURCHASE. Contact our Customer Service Department at 1-833-279-3646 or CRXservice@Fna-Group.com.



Read this manual carefully before operation.
This manual includes important guidance for safety operation.



NOT FOR SALE IN THE STATE OF CALIFORNIA
PAS À VENDRE DANS L'ÉTAT DE CALIFORNIE
NO A LA VENTA EN EL ESTADO DE CALIFORNIA

This Manual contains important safety information and instructions for operating this engine. **PLEASE READ THIS MANUAL CAREFULLY.** Failure to do so could result in property damage and/or personal INJURY/DEATH.

Provide this manual to any operator of this engine. This manual should be considered as a permanent part of your engine and should remain with it when you sell it.

The pictures and figures in the manual shall be only for reference and perhaps there will be difference between pictures & figures and physical products.

All information in this publication is based on the latest product information available at the time of printing. We reserve the right to change, alter and/or improve the product and this document at any time without notice and without incurring any obligation.

Write down the engine's serial number and purchase information. Keep this manual and the receipt for future reference.

Model:

Serial number:

Date of purchase:

Contents

I. Operator safety	1
1. Safety rules.....	1
II. Features and Controls	5
III. Operating	6
1. Operating checklist.....	6
2. Starting the engine.....	9
3. Stopping the engine.....	12
4. Terminal application.....	12
5. After each use.....	12
IV. Maintenance	13
1. Maintenance schedule.....	13
2. General maintenance.....	15
V. Trouble-shooting	21
VI. Storage and transportation	22
VII. Specification	23
1. Engine Specification.....	23
2. Case cover installation dimension.....	24
3. Engine circuit diagram.....	25
VIII. WARRANTY	26
Engine WARRANTY.....	26
Emission WARRANTY.....	27

I. Operator safety

1. Safety rules



Pay attention to this safety alert symbol. Obey all safety messages that follow this symbol to avoid possible property damage, INJURY or DEATH.

Each safety message is preceded by a safety alert symbol and one of three words, DANGER, WARNING, or CAUTION.

DANGER

Indicates a hazardous situation which, if not strictly complied with, will result in substantial property damage, serious injury or DEATH.

WARNING

Indicates a hazardous situation which, if not strictly complied with, may result in property damage, serious injury or DEATH.

CAUTION

Indicates a hazardous situation which, if not strictly complied with, could result in property damage or injury.



WARNING

READ THIS MANUAL COMPLETELY BEFORE OPERATING.

DO NOT operate this engine until you have read ALL safety, operation, and maintenance Instructions listed in this manual.

Failure to follow the instructions may result in property damage, INJURY or DEATH.

The warnings and precautions discussed in this manual cannot cover all possible conditions and situations that may occur. It must be understood by the operator that common sense and caution are factors which cannot be built into this product, but must be supplied by the operator.

WARNING

Do not modify the engine and do not use the engine for a purpose for which it is not intended.

 **WARNING**

Before each use, check for loose or damaged parts, signs of oil or fuel leaks, and any other condition that may affect proper operation. Repair or replace all damaged or defective parts immediately.

Locate all operating controls and safety labels.

Keep all safety guards in place and in proper working order at all times.

DO NOT allow any material to block the cooling slots.

DO NOT allow children or untrained persons to operate the engine.

DO NOT run the engine unattended. Turn off the Engine before leaving the area.



 **WARNING**

FIRE

Operation of this engine may create sparks that can start fires around dry vegetation.

This engine is equipped with a spark arresting muffler. If the engine will be used around flammable materials or on land covered with materials such as agricultural crops, forest, brush, grass or other similar items, then a USDA Forest Service spark arrester must be installed.

In some area, a spark arrester is required by law. Please contact local fire agencies for laws or regulations relating to fire prevention requirements.

 **WARNING**

Read the instructions provided with the equipment that powered by this engine for any additional safety rules that should be observed in conjunction with engine startup, shutdown, operation, or protective apparel that may be needed to operate the equipment.



WARNING

HOT SURFACE

Running engines produce heat. Severe burns can occur on contact.

DO NOT touch hot surfaces while operating or just after stopping the engine. Avoid contact with hot exhaust gases.

Maintain at least three feet of clearance on all sides to ensure adequate cooling.

Combustible material can catch fire on contact. Maintain at least five feet of clearance from combustible materials.

WARNING

Do not tamper with the engine governed speed.

High operating speeds are dangerous and increase the risk of personal injury or damage to the equipment.

Operating at low speeds with heavy load may shorten the engine's life.



DANGER

FIRE OR EXPLOSION

Gasoline is highly flammable and extremely explosive.

Fire or explosion can cause severe burns or death.

Keep flammable items away while handling gasoline.

Fill fuel tank outdoors and in a well-ventilated area with the engine stopped.

Always wipe off spilled fuel and wait until the fuel has dried before starting the engine.

DO NOT operate the engine with known leaks in the fuel system.

Use proper fuel storage and handling procedures. DO NOT store fuel or other flammable materials nearby.

Empty the fuel tank before storing or transporting this engine.

Keep fire extinguisher handy and be prepared if a fire starts.



⚠ DANGER

MOVING PARTS

Moving parts can cause severe injury. Keep hands and feet away.

DO NOT operate engine with covers, shrouds, or guards removed.

DO NOT wear loose-fitting clothing, dangling drawstrings or items that could become caught. Tie up long hair and remove jewelry.

NEVER place fingers, hands, or body near the engine when it is running.



⚠ DANGER

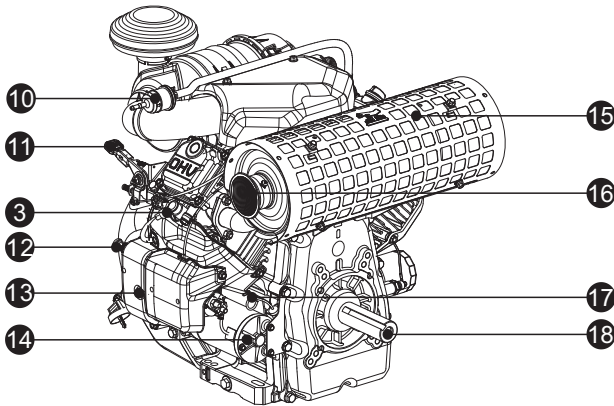
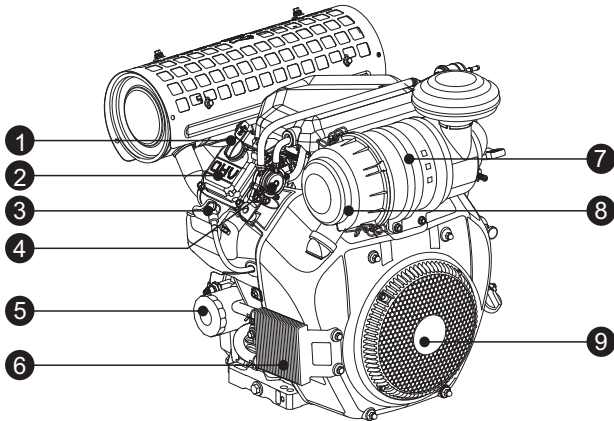
TOXIC FUMES

The exhaust of the engine contains carbon monoxide, an odorless, colorless, poison gas. Using engine indoors **CAN KILL YOU!**

NEVER use inside any building or any kind of enclosure, **EVEN IF** doors and windows are open.

Place the engine in a well-ventilated area and carefully consider wind and air currents when positioning the engine.

II. Features and Controls



- | | |
|-----------------------|-------------------------------------------|
| ① Oil fill cap | ⑪ Throttle lever |
| ② Cylinder head cover | ⑫ Choke control |
| ③ Spark plug | ⑬ Control box / Key start / Choke control |
| ④ Fuel pump | ⑭ Starting motor |
| ⑤ Oil filter | ⑮ Muffler with heat shield |
| ⑥ Oil cooler | ⑯ Exhaust port / Spark Arrester |
| ⑦ Air filter housing | ⑰ Dipstick |
| ⑧ Air filter cover | ⑱ Crankshaft |
| ⑨ Static screen | |
| ⑩ Fuel filter | |

III. Operating

1. Operating checklist

1 Operating Location

Only use OUTSIDE and place the engine in a well-ventilated area and carefully consider wind and air currents.

Place the engine on level surface before any operation.

Allow three feet of clearance on all sides of the engine while operating it outdoors.



⚠ DANGER

TOXIC FUMES

The exhaust of the engine contains carbon monoxide, an odorless, colorless, poison gas. Using engine indoors **CAN KILL YOU!**

NEVER use inside any building or any kind of enclosure, **EVEN IF** doors and windows are open.

High altitude

This engine may require a high altitude carburetor kit to ensure correct operation at high altitudes. Consult your local dealer for high altitude kit information if you always operate your engine at altitudes above 5,000 feet (1,500 meters).

⚠ CAUTION

Even with carburetor modification, engine horsepower will decrease about 3.5% for each 1,000 feet (300 meters) increase in altitude. The effect of altitude on horsepower will be greater than this if no carburetor modification is made.

⚠ CAUTION

Operation the engine at altitude below 5,000 feet (1,500 meters) with modified carburetor may cause the engine to overheat and result in serious engine damage.

2 Operating Condition

Check for loose or damaged parts, signs of oil or fuel leaks, and any other condition that may affect proper operation. Repair or replace all damaged or defective parts immediately.

⚠ WARNING

Failing to correct problem(s) before operation could result in property damage, serious injury or **DEATH.**

Remove any excessive dirt or debris, especially around the muffler and static guard.

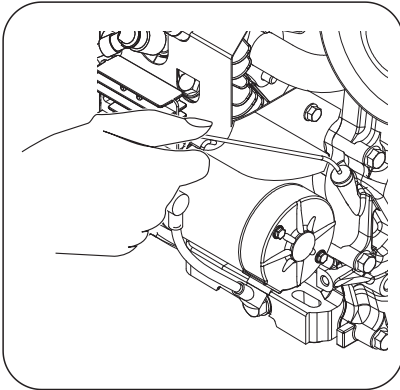
Refer to operating instructions of equipment that this engine powers. Do not operate this engine exceeding maximum angle of operation; see specification table. Engine damage could result from insufficient lubrication.

3 Engine oil

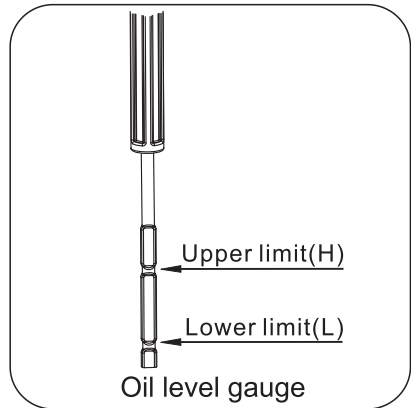
Place the engine on a level surface with engine stopped.

Remove the dipstick and wipe it clean.

Insert the dipstick in the dipstick hole.



Remove the dipstick again and check oil level. Level should be at top of indicator on dipstick.



Fill to the upper limit (marked with "H") of the dipstick with the recommended oil if the oil level is low.

Re-insert the dipstick into the dipstick hole.

Refer to **add oil** instruction in **MAINTENANCE** section for more information.

Oil capacity (rated):
See parameter.

⚠ WARNING

This engine is not filled with oil at the factory. Any attempt to crank or start the engine before it has been properly filled with the recommended type and amount of oil may result in engine damage and void your warranty.

WARNING

Oil is a major factor affecting performance and service life. Use SAE 10W-30 API SG or newer automotive detergent oil as recommended in the MAINTENANCE section of this manual.

CAUTION

Only run the engine on a level surface. The engine is equipped with a low oil level sensor. The unit will shut off in the situation where the oil falls below the proper crankcase sump level. To avoid unexpected shutdown, fill the oil to the upper limit and check the oil level before each usage.

4 Engine fuel

With the engine stopped, check the fuel level gauge. Refill the fuel tank (not supplied) if necessary.

CAUTION

Pressure can build up in the fuel tank. Allow the engine to cool for at least two minutes before removing fuel cap. Loosen the fuel cap slowly to relieve any pressure in the tank.

Use clean, fresh, regular unleaded gasoline.

DO NOT mix oil with gasoline.

Be sure not to fill above the upper limit mark. Always allow room for fuel expansion.

NEVER use engine or carburetor cleaner products in the fuel tank or permanent damage may occur.

It is important to prevent gum deposits from forming in essential fuel system parts, such as the carburetor, fuel filter, fuel hose or tank during storage. Also, experience indicates that alcohol-blended fuels (called gasohol, ethanol or methanol) can attract moisture, which leads to separation and formation of acids during storage.

Acidic fuel can damage the fuel system of an engine while in storage. Be sure to review the instructions given in “Storage” chapter.



⚠ DANGER

FIRE OR EXPLOSION

Gasoline is highly flammable and extremely explosive.

Fire or explosion can cause severe burns or death.

Keep flammable items away while handling gasoline.

Fill fuel tank outdoors and in a well-ventilated area with the engine stopped.

Always wipe off spilled fuel and wait until the fuel has dried before starting the engine.

DO NOT operate the engine with known leaks in the fuel system.

Use proper fuel storage and handling procedures. DO NOT store fuel or other flammable materials nearby.

Empty the fuel tank before storing or transporting this engine.

Keep fire extinguisher handy and be prepared if a fire starts.

Gasoline/Alcohol Blends: up to 10% alcohol, 90% unleaded gasoline by volume is approved as a fuel. Other gasoline/alcohol blends are not approved. Effects of old, stale or contaminated fuel are not warrantable.

⚠ CAUTION

To minimize gum deposits in your fuel system and to insure easy starting, do not use gasoline left over from the previous season.

5 Equipment check

Check the equipment powered by this engine. Review the instructions provided by the equipment manufacturer for any precautions and procedures that should be followed before start the engine.

⚠ WARNING

This engine is designed and manufactured for specific applications. Do not attempt to modify the equipment or use it for any application for which it was not designed. If you have questions about specific application, ask your local dealer.

2. Starting the engine

1

Perform operating checklist.

2

The starting position of the choke will vary depending on the engine temperature. To start a cold engine, pull the choke fully to the “CLOSED” position. If starting a warm engine, move the choke to the midway position between “OPEN” and “CLOSED”.

Move the throttle to the “FAST” position (if equipped). Turn the fuel valve to “ON” or “OPEN” (if equipped).

3

Turn the key past the “ON” position to the “START” position. After the engine has started release the key allowing it to return the “ON” position.

If the starter does not start the engine, do not continue to crank the engine as damage to the starter may occur.

⚠ WARNING

Do not try to continuously crank the engine for more than five seconds at one time. If the engine fails to start, allow the starter to cool one minute before trying to restart the engine. Continuously trying to start the engine will damage the starter.

⚠ CAUTION

If the engine fails to start after three attempts, verify that the engine is on a level surface and the oil level is maintained at the proper level. Check to verify the fuel valve is open, (if equipped).

The engine is equipped with a low oil sensor; a low oil level will prevent the engine from starting.

Routinely inspect the oil level before each usage of the engine.

If the engine will not start, allow it to stop rotating before attempting to restart the engine. Should you try to start the engine while the flywheel is still rotating may cause damage to the starter pinion.

4

Once the engine starts, push the choke to the “OPEN” position. If the engine does not run smoothly, pull the choke midway between the “OPEN” and “CLOSED” positions. As the engine warms, slowly push the choke to the fully “OPEN” position.

⚠ CAUTION

On cold engines, pull the choke fully to the “CLOSED” position. If starting a warm engine, move the choke to the midway position between “OPEN” and “CLOSED”.

5

Allow engine to warm 1 - 2 minutes before using this product.

Setting the engine speed

1

Use the throttle lever (if equipped) to adjust the engine speed to the requirement of your application.

2

If you have any questions about using this engine for a specific application, please review the product operators manual and/or contact your local authorized dealer for assistance.

3. Stopping the Engine

1

If you need to stop the engine in an emergency, simply turn the key to "OFF". For a normal shutdown, first move the throttle to "SLOW" (if equipped). Allow the engine speed to slow then turn the key to "OFF". If your fuel system is equipped with a valve, turn it to "OFF" or "CLOSED".

2

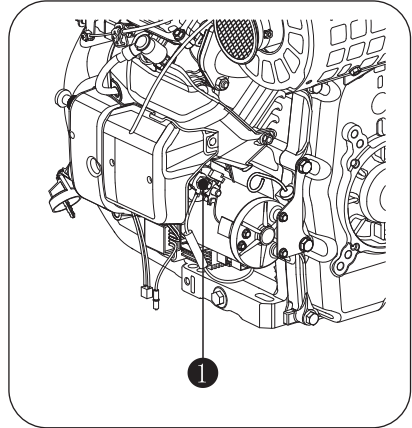
If the engine has any abnormal noise, severe vibrations, hunting, popping or any other abnormal condition while running, turn the key to "OFF" before troubleshooting.

4. Terminal application

The engine starter requires the electrical system to be started or powered by a 12-volt (V) battery with a minimum capacity of 21 ampere-hours (Ah). The positive (+) lead from the battery connects to the positive terminal on the starter relay. Connect the negative (-) lead from the battery to an engine mounting bolt, the conductive frame supporting the engine or any other engine grounding point.

⚠ CAUTION

DO NOT connect the negative (-) battery lead to the oil filter mounting base or any part of the fuel system.



① Positive terminal

5. After each use

If the engine will not be used for a period of two months or more, drain the fuel system into an approved container. Store the engine in a cool, dry location.

- Disconnect the black, negative (-) battery lead.
- See Section VI, Storage and Transportation.

IV. Maintenance

It is the owner's/operator's responsibility to complete all scheduled maintenance in a timely manner. Correct any issue before operating the engine. Always follow the inspection and maintenance recommendations and schedules in this manual.



⚠ DANGER

Accidental starts can cause severe injury or death. Before servicing, disconnect the negative (-) battery lead and disconnect both spark plug leads.

Before servicing, disconnect the negative (-) battery lead and disconnect both spark plug leads. Allow the engine to cool if hot.

⚠ WARNING

Improper maintenance or failure to correct a problem before operation can cause a malfunction and result in property damage, serious injury or DEATH.

Improper maintenance will void your warranty.

1. Maintenance schedule

Follow the service intervals indicated in the chart below. Service your engine more frequently when operating in adverse conditions.

Contact your local service dealer for your engine or engine maintenance needs.

		Each time before use	The first month or 10 hours ^{Note2}	Every three months or 25 hours ^{Note2}	Every six months or 50 hours ^{Note2}	Each years or 100 hours ^{Note2}	Every two years or 200 hours ^{Note2}
Engine oil	Inspection	✓					
	Replacement				✓		
Air filter	Inspection	✓					
	Cleaning			✓			
Spark plug	Inspection and adjustment				✓		
	Replacement						✓
Spark arrester ^{Note1}	Cleaning					✓	
Oil fine filter	Replacement						✓
Fuel filter	Replacement					✓	
Idle speed	Inspection and adjustment					✓	
Valve clearance	Inspection and adjustment					✓	
Carbon canister ^{Note1}	Inspection	Every two years ^{Note4}					
Low permeability oil tube ^{Note1}	Inspection	Every two years ^{Note4}					
Oil tube	Inspection	Every two years ^{Note4}					

Note 1: Applicable types.

Note 2: Before each season, then follow the prescribed service interval.

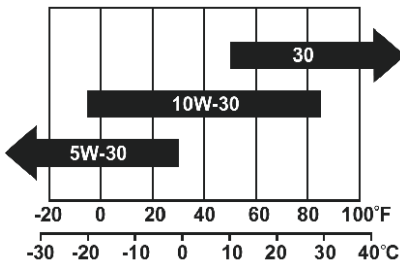
Note 3: Service more frequently when operating the engine under severe, dusty and/or dirty conditions.

Note 4: To be performed by knowledgeable, experienced owners or the authorized dealer.

2. General maintenance

Engine oil

SAE 10W-30 API SG or newer automotive detergent oil is recommended for general, all-temperature use. Other viscosities shown in the chart may be used when the average temperature in your area is within the indicated range.



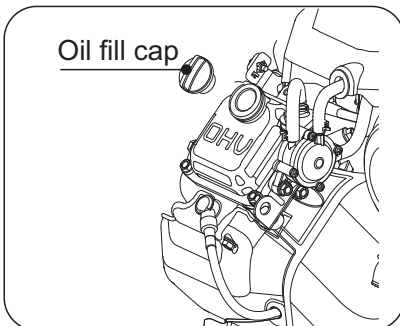
AMBIENT TEMPERATURE

Oil capacity (rated):

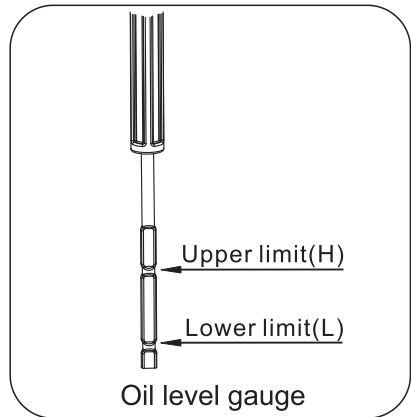
See parameter.

Add oil

1. Place the engine on a level surface.
2. Remove the oil fill cap. Fill using oil of the proper recommended type.



3. Remove the dipstick and check the oil filling volume which should be at the upper limit of the scale (H point).



4. Completely insert the dipstick into the dipstick hole during inspection.

Change oil

CAUTION

Change oil when the engine is warm from operation.

To change the oil, it is recommended to allow the engine to run for a few minutes to warm the oil. This will ensure the used oil will drain the engine completely.

1. Place an appropriate container below the oil drain bolt. Remove the oil filler cap. Next, using a wrench, loosen the drain bolt counterclockwise. Once loose, fully unthread the bolt with your fingers removing it and the bolt gasket.

2. When the oil is completely drained, inspect the drain bolt gasket for damage; replace if required. Hand thread the drain bolt. Using a wrench, tighten until snug.

3. Ensuring the engine is on a level surface, use the recommended grade of oil to fill the engine to the upper limit of the dipstick. Do not overfill.

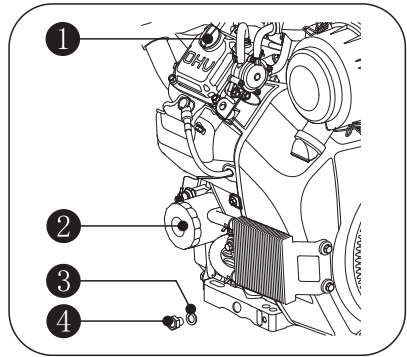
4. Return and tighten the oil fill cap.

⚠ WARNING

The engine is not filled with oil at the factory. Any operation before it has been properly filled with the recommended type and amount of oil may result in engine damage and void your warranty.

Promptly clean up any spilled oil on the engine or the surrounding area. Clean your hands with soap and warm water.

Only dispose of the waste oil at a local waste oil recycler.



- ① Oil fill cap
- ② Oil filter
- ③ Drain bolt gasket
- ④ Drain bolt

Replacing the oil filter

Drain the oil, and then re-tighten the drain bolt.

1. Using an oil filter removal wrench, loosen the filter and remove. Pour the oil contained in the filter into the pan of waste oil.

2. Clean any waste oil or debris from the oil filter port. Using fresh oil, lubricate the seal on the new oil filter.

3. Tighten the filter by hand or as per the filter instructions.

4. Ensuring the engine is on a level surface, use the recommended grade of oil to fill the engine to the upper limit of the dipstick. Do not overfill.

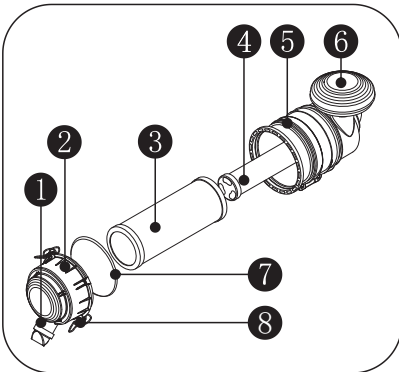
5. Start the engine and check for oil leaks.

6. Stop the engine, and then remove the dipstick and check whether the oil level is within the specified range. If the oil level is too low, it is required to refill the oil to the predetermined scale.

CAUTION

The air filter element and filter container may contain Polycyclic Aromatic Hydrocarbons (PAHs). Some PAHs may cause cancer. To avoid exposure to PAHs, wear gloves when performing air filter maintenance.

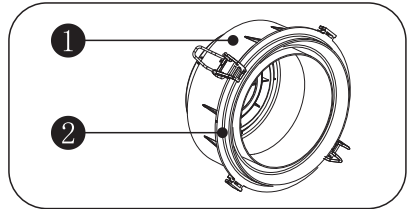
Air filter



- ① Debris valve
- ② Air filter cover
- ③ Coarse filter
- ④ Fine filter
- ⑤ Air filter housing

- ⑥ Air intake cover
- ⑦ Rubber seal
- ⑧ Retaining clip

1. Clean area around the air filter.
2. Unhook retaining clips and remove cover.
3. Remove the coarse filter element and the fine filter element.
4. Check condition of rubber seal and replace if necessary.



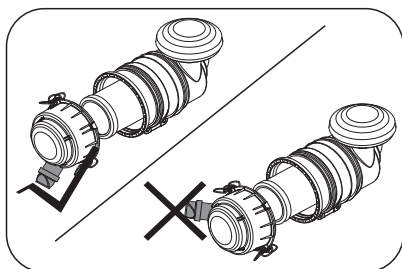
- ① Air filter cover
- ② Rubber seal

5. Cleaning the filter elements: gently tap the filter elements to remove loose debris. Do not clean the paper filter elements with brushes, compressed air, etc. Filters that are heavily soiled with dirt need to be replaced with new elements.

6. Place the filter elements into the filter body.

7. With the debris valve pointing downward, place the air filter cover onto the filter body. Snap the retaining clips into the locked position.

NOTE: The debris valve on the filter cover must point downward.



⚠ CAUTION

The air cleaner is a critical emission related component and should not be altered or modified in any way.

Operating the engine with loose or damaged air cleaner components could cause engine wear and failure, and invalidate your warranty.

Paper element cannot be blown out with compressed air.

⚠ WARNING

Do not run the engine when the paper element is not installed; otherwise, this may cause damage to the engine.

⚠ DANGER

Never use gasoline or a flammable solvent to clean the filter housing. Use of any flammable agent may cause an explosion.

Spark plug

1. Recommended spark plugs: F6RTC. Always replace the spark plugs in pairs.
2. Use of a non-recommended spark plug style may cause damage to the engine.
3. Remove the dirt from the spark plug cap and bottom.
4. Remove the spark plug cap.
5. Use a spark plug wrench or socket of the proper size to loosen the spark plugs for removal or reinstall.
6. Inspect the spark plug and the spark plug washer. Replace the plug if it or the washer are damaged.

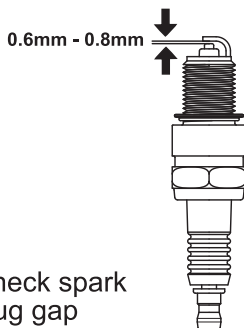
⚠ CAUTION

Always replace both spark plugs at the same time.

7. Check spark plug gap. Carefully bend side electrode to adjust the gap if necessary.

Spark plug gap:

0.024 – 0.031" (0.6 – 0.8mm)



8. Carefully thread the plug into the engine **by hand**.

9. After the spark plug is seated, use spark plug wrench to tighten the plug.

Spark Plug tighten Torque:
15-18 ft. lb. (20 – 25 N.m)

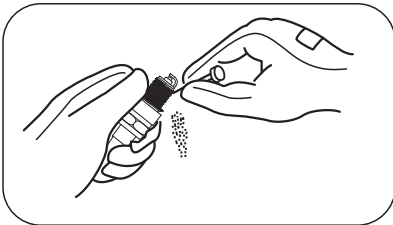
10. Attach the spark plug wire to the plug.

⚠ WARNING

Only use recommended spark plug or equivalent. **DO NOT** use spark plugs that have improper heat range.

The spark plugs must be tightened to the proper torque. Loose spark plug(s) will cause compression leaks leading to hard starting and decreased engine power.

To ensure proper operation of the engine, the spark plug gap must be maintained and be free of deposits. Clean the spark plug according to the steps shown below.



a) Remove the spark plug

b) Slight amount of buildup on the electrodes can be cleaned with a wire brush. Replace the plug if heavily soiled. Spark plug(s) that look wet, oily or have extreme electrode wear indicate the engine needs to be serviced by a trained small engine technician.

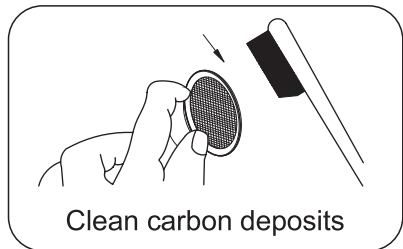
Spark Arrester
(Applicable types)

1. Allow the engine to cool completely before servicing the spark arrester.

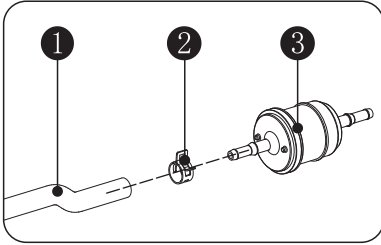
2. Remove the two screws holding the cover plate which retains the end of the spark arrester to the muffler.

3. Remove the spark arrester screen.

4. Carefully remove the carbon deposits from the spark arrester screen with a wire brush.



Replacing the fuel filter



- ① Fuel hose
- ② Clip
- ③ Fuel filter

1. Using pliers, loosen the clip.
2. Reinstall the clip with pliers.

V. Trouble analysis and trouble-shooting

Phenomenon	Problems	Solutions
Engine will not start	Engine switch is off.	Turn engine switch to the ON position.
	There is no fuel	Fill tank per instructions in this manual.
	Inadequate engine oil.	Check oil level. This engine is equipped with a low oil sensor. The engine cannot be started unless the oil level is above the prescribed lower limit.
	There is no ignition	Using an external spark tester, assure that both cylinders have proper spark. If the spark is weak or missing from one or both cylinders, contact your local authorized service dealer.
	The fuel filter is clogged.	Replace the fuel filter with a new filter.
	Choke is open	Close choke then repeat the starting process.

If your engine is not working properly or if there are parts missing or broken, please **DO NOT RETURN IT TO THE PLACE OF PURCHASE**. Contact our Customer Service Department at 1-833-279-3646 or CRXservice@Fna-Group.com.

VI. Storage and transportation

Storage

DO NOT mix oil with gasoline. The engine should be started at least once every 2 weeks and allowed to run for at least 20 minutes. Follow the instructions below for longer term storage if the engine were out of service for 2 months or more.



Fire or explosion

Gasoline is highly flammable and extremely explosive. Empty the fuel tank and shut off fuel valve before storing or transporting this engine.

1. Allow a hot engine to cool.
2. Change the oil while the engine is warm.
3. Drain all fuel completely from the fuel tank, fuel hose, fuel filter and the carburetor. Dispose of used fuel/oil properly.
4. Remove both spark plugs and pour 1oz. of engine oil into the cylinders. Reinstall the spark plugs but do not connect the spark leads. Turn the engine over for one second by rotating the key to "START". Connect the spark leads.

5. Disconnect the negative (-) battery lead. Wipe the engine of any dirt and debris.

6. Store the unit in a clean, dry area out of direct sunlight.

Transportation

To prevent fuel spillage when transporting or during temporary storage, the engine should be secured upright in its normal operating position, with the engine switch OFF.

Turn the fuel valve to "OFF" or "Closed" (if equipped).

WARNING

When transporting:

Do not over fill the tank.

Avoid a place exposed to direct sunlight when putting the engine on a vehicle. If the engine is left in an enclosed vehicle for many hours, high temperature inside the vehicle could cause fuel to vaporize resulting in a possible explosion.

Do not drive on a rough road for an extended period with the engine on board. If you must transport the engine on a rough road, drain the fuel from the engine beforehand.

CAUTION

Take care not to drop or strike the engine when transporting. Do not place heavy objects on the engine.

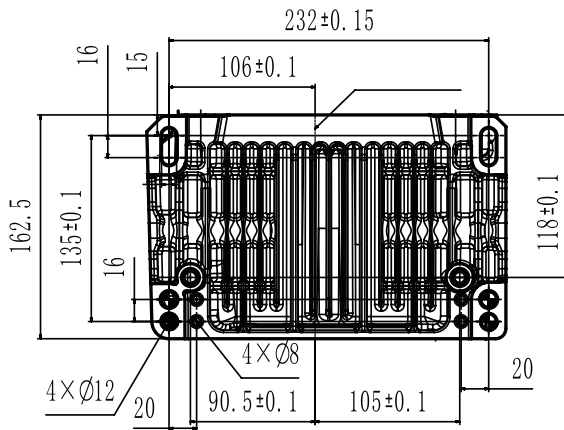
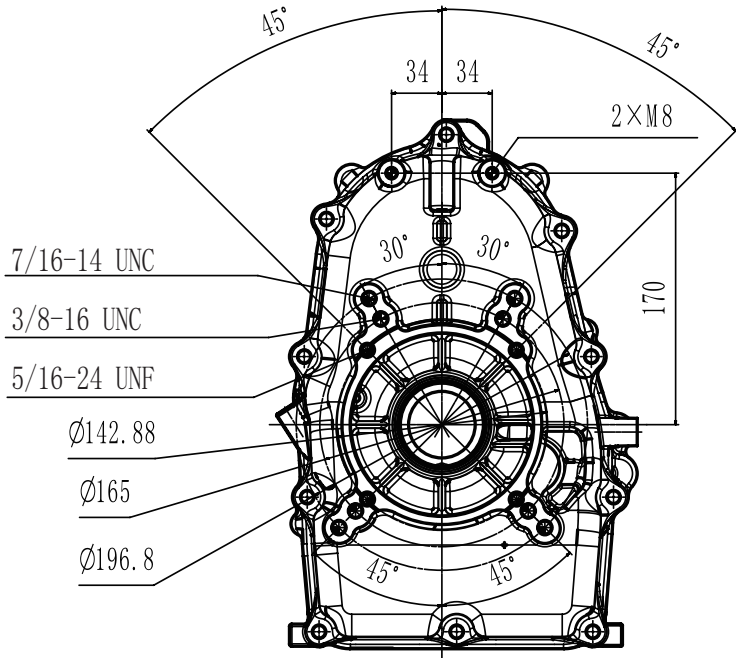
VII. Specification

1. Specification Parameter Table

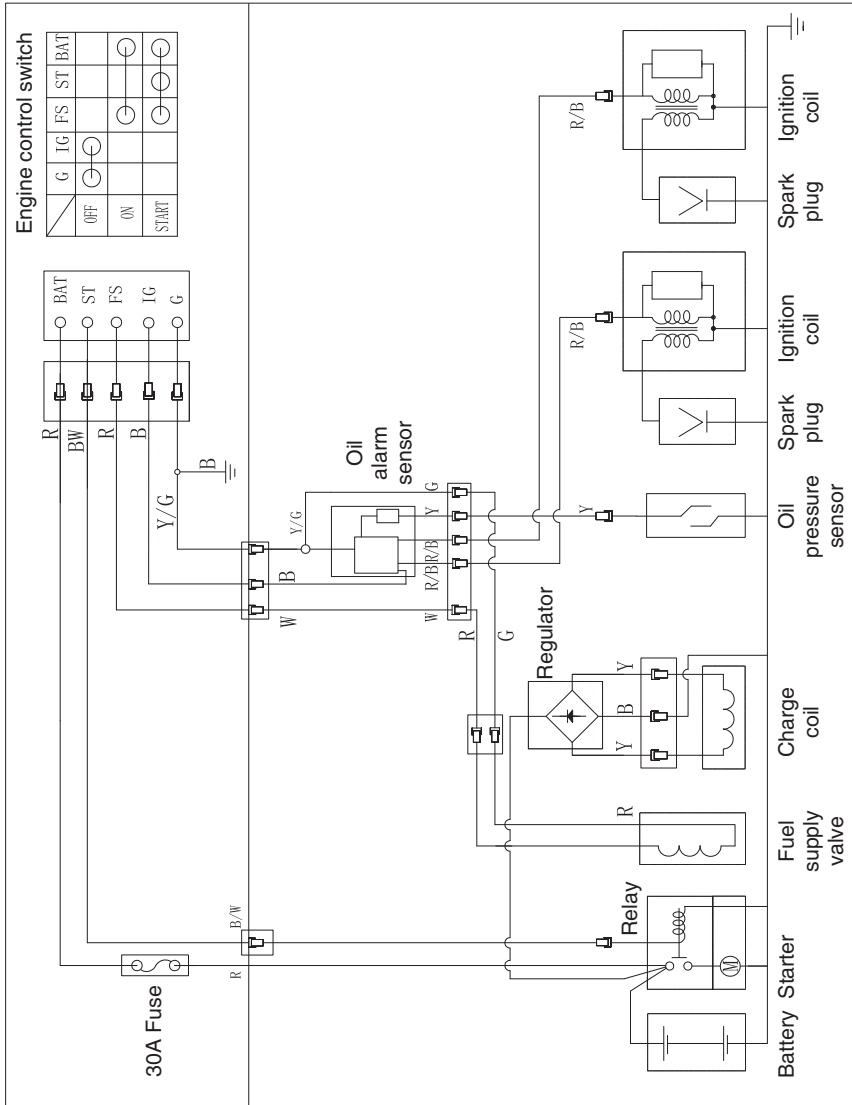
Category	Item	CRX1000
Main structure parameters	Type	Overhead valve
	Number of cylinders	2
	Piston diameter (mm)	90
	Piston stroke(mm)	78.5
	Total displacement(cm ³)	999
	Compression ratio	9.0:1
	Rated power (kW) net	CI 24.0/3600 per SAE J1349 Net Power
	Direction of rotation	Counterclockwise (While viewing the PTO)
	Ignition advance angle(°)	30°±2°
	Valve clearance	Intake valve clearance
Exhaust valve clearance		0.006 – 0.008” (0.15 – 0.20mm)
	Spark plug gap	0.024 – 0.031” (0.6 – 0.8mm)
Fuel and oil	Oil	SAE 10W-30 API SG or newer
	Fuel	Regular gas
	Fuel capacity(L)	/
	Oil capacity(L)	2.5
Dimension and mass	Dimension (Length×Width×Height)	20.08 x 23.54 x 22.48” (510 x 598 x 571mm)
	Net mass	136.7lbs (62kg)

Note: Engine data may be updated at any time without notice or obligation. Please contact your local authorized dealer for engine information.

2.Case cover installation dimension



3. Engine circuit diagram



3 YEAR COMMERCIAL LIMITED WARRANTY

WARRANTY COVERAGE TERMS:

The manufacturer of this product agrees to repair or replace designated parts that prove defective within the warranty period listed below at the manufacturer's sole discretion. Specific limitations/extensions and exclusions apply.

This warranty covers defects in material and workmanship and not parts failure due to normal wear, depreciation, abuse, accidental damage due to chemical deterioration, scale buildup, rust corrosion or thermal expansion, negligence, improper use, maintenance, water quality or storage. To make a claim under the terms of the warranty, all parts said to be defective must be retained and available for return upon request to a designated Warranty Service Center for warranty inspection. The judgments and decisions of the manufacturer concerning the validity of warranty claims are final.

These warranties pass through to the end user and are non-transferable. As a factory authorized and trained Warranty Service Center, the factory will honor the terms of all component warranties and satisfy claims of the appropriate warranty provisions.

Normal wear items include, but are not limited to, spark plugs, carburetor adjustments, ignition adjustments, filters, oil changes, recoil starter ropes, electric motor brushes, cotter pins, gaskets, valves, pistons or any other parts considered to be wear items, which are not covered by this warranty. The foregoing warranty is exclusive and in lieu of all other warranties whether written, oral, expressed, or implied. There are no warranties of merchantability or fitness of any product for a particular purpose. The FNA Group's only liability shall be the repair or replacement of parts as stated above. In no event shall the FNA Group be responsible for any losses or damages that are indirect, consequential, punitive, special, exemplary, or for economic loss, commercial loss, lost revenues, lost profits, or lost business opportunities, regardless of whether such liability is based on breach of contract, tort, strict liability, breach of warranties, failure of essential purpose or otherwise, or is a direct result of the FNA Group's own actions or inactions. Because some states do not allow limitations on how long an implied warranty lasts, the above limitation may not apply to you.

The FNA Group assumes no responsibility for incidental, consequential, or other damages including, but not limited to, expenses related to transporting the product to or from an authorized service, a mechanic's travel time, any telephone or communication charges, the rental of a like product while the warranty service is being performed, any other travel time or expenses, loss or damage to personal property, loss of revenue, loss of use of the product, loss of time, or any other inconvenience. Some states do not allow the exclusion or limitation of incidental or consequential damages, so the above limitation or exclusion may not apply to you.

This warranty replaces all other warranties, express or implied, including without limitation any warranties of merchantability or fitness for a particular purpose and all such warranties are hereby disclaimed and excluded by the manufacturer. The manufacturer's warranty obligation is limited to repair and replacement of defective products as provided herein and the manufacturer shall not be liable for any further loss, damages, or expenses - including damages from shipping, accident, abuse, acts of God, misuse, or neglect. Neither is damage from repairs using parts not purchased from the manufacturer or alterations performed by non-factory authorized personnel. Failure to install and operate equipment according to the guidelines put forth in the instruction manual shall void warranty.

RESPONSIBILITY OF ORIGINAL PURCHASER (INITIAL USER):

To process a warranty claim, report the concern to CRXservice@Fna-Group.com or 1-833-279-3646 for authorization and direction to the nearest authorized service center in your area.

Retain original cash register sales receipt as proof of purchase for warranty work.

Use reasonable care in the operation and maintenance of the product as described in the Operator's Manual(s).

FEDERAL EXHAUST EMISSION CONTROL WARRANTY STATEMENT YOUR WARRANTY RIGHTS AND OBLIGATIONS

The United States Environmental Protection Agency (EPA) and FNA Group (FNA) are pleased to explain the exhaust emission control system's warranty on your 2024 small off-road engine (SORE). New equipment that use small off-road engines must be designed, built, and equipped to meet the State's stringent anti-smog standards. FNA must warrant the exhaust emission control system on your SORE for the periods of time listed below provided there has been no abuse, neglect or improper maintenance of your engine leading to the failure of the exhaust emission control system.

Your exhaust emission control system may include parts such as the carburetors or fuel-injection system, the ignition system, and catalytic converter. Also included may be hoses, belts, connectors and other emission-related assemblies.

Where a warrantable condition exists, FNA will repair your SORE at no cost to you including diagnosis, parts and labor.

MANUFACTURER'S WARRANTY COVERAGE:

This exhaust emission control system on your SORE is warranted for two years. If any exhaust emission-related part on your SORE is defective, the part will be repaired or replaced by FNA.

OWNER'S WARRANTY RESPONSIBILITIES:

As the SORE owner, you are responsible for performance of the required maintenance listed in your owner's manual. FNA recommends that you retain all receipts covering maintenance on your SORE, but FNA cannot deny warranty coverage solely for the lack of receipts or for your failure to ensure the performance of all scheduled maintenance.

As the SORE owner, you should however be aware that FNA may deny your warranty coverage if your SORE or a part has failed due to abuse, neglect, or improper maintenance or unapproved modifications.

You are responsible for presenting your SORE to a FNA distribution center or service center as soon as the problem exists. The warranty repairs shall be completed in a reasonable amount of time, not to exceed 30 days.

If you have any questions regarding your warranty rights and responsibilities, you should contact **FNA Group** at **1-833-279-3646** or email to CRXservice@Fna-Group.com.

DEFECTS WARRANTY REQUIREMENTS:

(a) Applicability. This section applies to exhaust emission control systems on small off-road engines subject to the emission standards in this Article. The warranty period begins on the date the engine is delivered to an ultimate purchaser.

(b) General Exhaust Emissions Warranty Coverage. The engine must be warranted to the ultimate purchaser and any subsequent owner that the exhaust emission control system when installed was:

- (1) Designed, built, and equipped so as to conform with all applicable regulations; and
- (2) Free from defects in materials and workmanship that causes the failure of a warranted part for a period of two years.

(c) The warranty on exhaust emissions-related parts will be interpreted as follows:

- (1) Any warranted part that is not scheduled for replacement as required maintenance in the written instructions furnished with each new engine must be warranted for the warranty period defined in subsection (b)(2). If any such part fails during the period of warranty coverage, it must be repaired or replaced by FNA according to subsection (4) below. Any such part repaired or replaced under the warranty must be warranted for a time not less than the remaining warranty period.

(2) Any warranted part that is scheduled only for regular inspection in the written instructions furnished with each new engine must be warranted for the warranty period defined in subsection (b)(2). A statement in such written instructions to the effect of "repair or replace as necessary" shall advise owners of the warranty coverage for exhaust emissions related parts. Replacement within the warranty period is covered by the warranty and will not reduce the period of warranty coverage. Any such part repaired or replaced under warranty must be warranted for a time not less than the remaining warranty period.

(3) Any warranted part that is scheduled for replacement as required maintenance in the written instructions furnished with each new engine must be warranted for the period of time prior to the first scheduled replacement point for that part. If the part fails prior to the first scheduled replacement, the part must be repaired or replaced by the manufacturer according to subsection (4) below. Any such part repaired or replaced under warranty must be warranted for a time not less than the remainder of the period prior to the first scheduled replacement point for the part.

(4) Repair or replacement of any warranted part under the warranty provisions of this article must be performed at no charge to the owner at a warranty station.

(5) Notwithstanding the provisions of subsection (4) above, warranty services or repairs must be provided at distribution centers that are franchised to service the subject engines.

(6) The owner must not be charged for diagnostic labor that leads to the determination that a warranted part is in fact defective, provided that such diagnostic work is performed at a warranty station.

(7) Throughout the exhaust emission control system's warranty period set out in subsection (b)(2), FNA must maintain a supply of warranted parts sufficient to meet the expected demand for such parts and must obtain additional parts if that supply is exhausted.

(8) Manufacturer-approved replacement parts that do not increase the exhaust or evaporative emissions of the engine or evaporative emission control system must be used in the performance of any warranty maintenance or repairs and must be provided without charge to the owner. Such use will not reduce the warranty obligations of FNA.

(9) The use of add-on or modified parts may be grounds for disallowing a warranty claim made in accordance with this Article. FNA will not be liable under this Article to warrant failures of warranted parts caused by the use of an add-on or modified part.

(10) FNA shall provide any documents that describe FNA's warranty procedures or policies within five working days of request by the Executive Officer.

(d) A list of all exhaust emission warranty parts must be included with each new engine subject to this Article. The exhaust emission warranty parts list shall include all parts whose failure would increase exhaust emissions, and contains the following parts (if applicable):

1) Fuel Metering System

- Carburetor and internal parts (and/or pressure regulator or fuel injection system).
- Air/fuel ratio feedback and control system.
- Cold start enrichment system.

(2) Air Induction System

- Controlled hot air intake system.
- Intake manifold.
- Air filter.

(3) Ignition System

- Spark Plugs.

- Magneto or electronic ignition system.
 - Spark advance/retard system.
- (4) Exhaust Gas Recirculation (EGR) System
- EGR valve body, and carburetor spacer if applicable.
 - EGR rate feedback and control system.
- (5) Air injection System
- Air pump or pulse valve.
 - Valves affecting distribution of flow.
 - Distribution manifold.
- (6) Catalyst or Thermal Reactor System
- Catalytic converter.
 - Thermal reactor.
 - Exhaust manifold.
- (7) Particulate Controls
- Traps, filters, precipitators, and any other device used to capture particulate emissions.
- (8) Miscellaneous items Used in Above Systems
- Vacuum, temperature, and time sensitive valves and switches.
 - Electronic controls.
 - Hoses, belts, connectors, and assemblies.

Note: Any other warranty statements apply to engines units shall not limit the exhaust emission warranty period (two years) or its applicability to subsequent owners after the ultimate purchaser.

Este Manual contiene información e instrucciones de seguridad importantes para operar el motor. LEA ESTE MANUAL EN DETALLE. De no hacerlo, podría ocasionar daños a la propiedad y / o LESIONES / MUERTE personal.

Entregue este manual a cualquier operador de este motor. Este manual debe considerarse como parte permanente de su motor y permanecer junto al mismo en caso de venderlo.

Las imágenes y figuras en el manual deberán servir únicamente de referencia y quizás existan diferencias entre las imágenes y figuras y el producto físico.

Toda la información en esta publicación se basa en la última información del producto disponible en el momento de la impresión. Nos reservamos el derecho de cambiar, alterar y / o mejorar el producto y este documento en cualquier momento sin previo aviso y sin incurrir en obligaciones de ningún tipo.

Escriba el número de serie y la información de compra del motor. Guarde este manual y el recibo para futuras referencias.

Model:

Número de serie:

Fecha de compra:

Contenido

I. Seguridad Del Operador	1
1. Reglas de seguridad	1
II. Características y Controles	5
III. Operación	6
1. Lista de Verificación para el Funcionamiento	6
2. Arrancar el motor	10
3. Detener el Motor	11
4. Aplicación terminal	12
5. Tras cada uso	12
IV. Mantenimiento	13
1. Programa de Mantenimiento	14
2. Mantenimiento general	15
V. Análisis y resolución de problemas	21
VI. Almacenaiento y transporte	22
VII. Especificaciones	24
1. Specification Parameter Table	24
2. Case cover installation dimension	25
3. Diagrama de circuitos del motor	26
VIII. GARANTÍA	27
1. GARANTÍA del Motor	27
2. GARANTÍA de Emisiones	28

I.Seguridad Del Operador

1.Reglas de seguridad



Preste atención a este símbolo de alerta de seguridad. Observe todos los mensajes de seguridad que siguen a este símbolo, con el fin de evitar posibles daños a la propiedad, LESIONES o la MUERTE.

Cada mensaje de seguridad va precedido de un símbolo de alerta de seguridad y una de tres palabras - PELIGRO, ADVERTENCIA o PRECAUCIÓN.

PELIGRO

Indica una situación peligrosa que, si no se respeta estrictamente, provocará daños considerables a la propiedad, graves lesiones o la MUERTE.

ADVERTENCIA

Indica una situación peligrosa que, si no se observa estrictamente, puede resultar en daños a la propiedad, graves lesiones o la MUERTE.

PRECAUCIÓN

Indica una situación peligrosa que, si no se cumple estrictamente, podría causar daños a la propiedad o lesiones.



ADVERTENCIA

LEA ESTE MANUAL POR COMPLETO ANTES DE SU OPERACIÓN.

NO opere este motor hasta haber leído TODAS las Instrucciones de seguridad, Operación y mantenimiento que se enumeran en este manual.

De no seguir las Instrucciones, puede provocar daños a la propiedad, LESIONES o la MUERTE.

Es imposible que las advertencias y precauciones mencionadas en este manual cubran todas las condiciones y situaciones que puedan ocurrir. Debe entenderse que el sentido común y la precaución son factores que no pueden construirse en este producto pero deben proporcionarse por el operador.

ADVERTENCIA

NO modifique el motor NI lo emplee para fines distintos a los inicialmente previstos.

 **ADVERTENCIA**

Previo a cada uso, verifique si existen piezas sueltas o dañadas, signos de fuga de aceite o combustible y cualquier otra condición que pueda afectar al correcto funcionamiento. Repare o reemplace inmediatamente todas las piezas dañadas o defectuosas.

Localice todos los controles operativos y etiquetas de seguridad.

En todo momento mantenga todos los protectores de seguridad en su lugar y en funcionamiento correcto.

NO permita el bloqueo de las ranuras de refrigeración por ningún material.

NO permita a los niños o personas sin capacitación operar el motor.

NO haga funcionar el motor desatendido. Apague el Motor antes de salir del área.



 **ADVERTENCIA**

INCENDIO

Cuando está en funcionamiento, este motor puede crear chispas que puedan iniciar incendios alrededor de la vegetación seca.

Este motor dispone de un silenciador de parachispas. Si el motor se aplicará alrededor de materiales inflamables o en terrenos cubiertos de materiales como cultivos agrícolas, bosque, maleza, hierba u otros elementos similares, entonces un parachispas para el Servicio Forestal USDA debe estar instalado.

En algunas áreas, un parachispas es exigida por la ley. Contáctese con las agencias de bomberos locales para saber las leyes o reglamentos sobre los requisitos de prevención de incendios.

ADVERTENCIA

Lea las instrucciones provistas con el equipo que se acciona por este motor para cualquier regla de seguridad adicional que se deberá respetar junto con el arranque, el apagado y el funcionamiento del motor, o los aparatos de protección que serían necesarios para operar el equipo.

ADVERTENCIA

No altere la velocidad regulada por el motor.

La alta velocidad operativa es peligrosa y aumenta el riesgo de lesiones personales o daños al equipo.

El funcionamiento a baja velocidad con carga pesada puede acortar la vida útil del motor.



ADVERTENCIA

SUPERFICIE CALIENTE

Los motores en funcionamiento generan calor. Pueden producirse graves quemaduras al entrar en contacto.

NO toque las superficies calientes mientras opere el motor o inmediatamente después de detenerlo. Evite entrar en contacto con gases de escape calientes.

Mantenga una distancia de por lo menos tres pies en todos los lados para garantizar una refrigeración apropiada.

Los materiales combustibles se pueden incendiar por contacto. Mantenga una distancia de por lo menos cinco (5) pies de ellos.



PELIGRO

PIEZAS MÓVILES

Las piezas móviles pueden causar graves lesiones. Mantenga sus manos y pies alejados.

NO opere el motor con las cubiertas, tapas o protectores retirados.

NO use ropa holgada, cordones colgantes o artículos que se podrían enganchar. Amárrese el pelo largo y quítese la joyería.

NUNCA coloque sus dedos, manos o cuerpo cerca del motor cuando está funcionando.



⚠ ADVERTENCIA

INCENDIO O EXPLOSIÓN

La gasolina es fácilmente inflamable y explosiva.

El incendio o la explosión puede ocasionar graves quemaduras o la muerte.

Mantenga los artículos inflamables alejados al manejar gasolina.

Llene el tanque de combustible al aire libre y en un área bien ventilada con el motor detenido.

Siempre elimine el combustible derramado, y espere a que se haya secado el combustible antes de arrancar el motor.

NO opere el motor con fugas conocidas en el sistema de combustible.

Utilice procedimientos apropiados para almacenar y manejar combustible. **NO** almacene combustible ni otros materiales inflamables en los alrededores.

Vacíe el tanque de combustible antes de almacenar o transportar este motor.

Tenga a la mano un extintor y esté preparado si se inicia un incendio.



⚠ PELIGRO

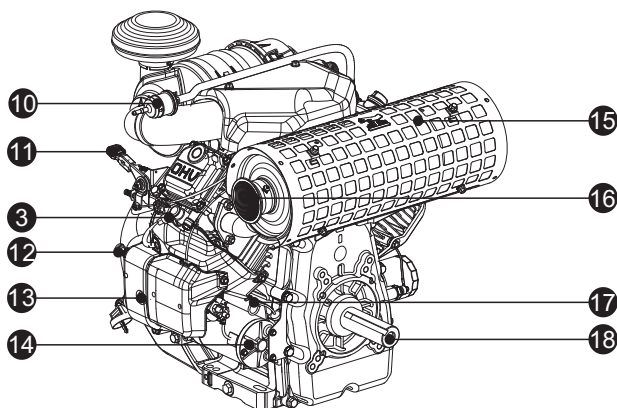
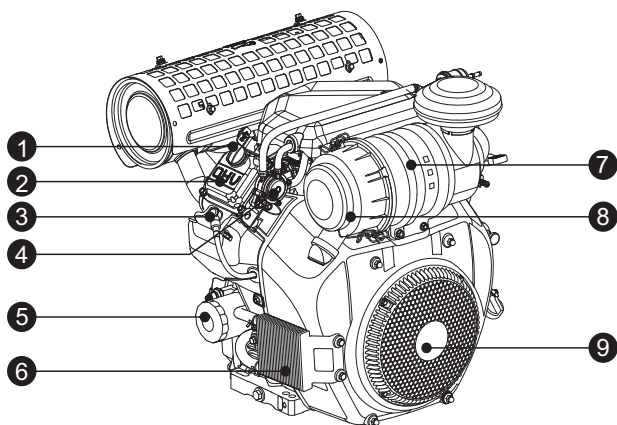
GASES TÓXICOS

El escape del motor contiene monóxido de carbono, que es un gas inodoro, incoloro y venenoso. ¡El uso del motor en interiores PUEDE MATARLO!

NUNCA lo utilice dentro de ningún edificio ni en ningún tipo de recinto, **INCLUSO SI** las puertas y ventanas están abiertas.

Coloque el motor en un área bien ventilada, y considere cuidadosamente los vientos y corrientes de aire al posicionarlo.

II. Características y Controles



- | | |
|-------------------------------|-----------------------------------------------------------------------|
| 1 Tapa de llenado de aceite | 11 Palanca del acelerador |
| 2 Cubierta de la culata | 12 Control de estrangulamiento |
| 3 Bujía | 13 Caja de control / Arranque con llave / Control de estrangulamiento |
| 4 Bomba de combustible | 14 Motor de arranque |
| 5 Filtro de aceite | 15 Silenciador con escudo térmico |
| 6 Enfriador de aceite | 16 Puerto de escape / Parachispas |
| 7 Caja del filtro de aire | 17 Varilla |
| 8 Cubierta del filtro de aire | 18 Cigüeñal |
| 9 Pantalla estática | |
| 10 Filtro de combustible | |

III. Operación

1. Lista de Verificación para el Funcionamiento

1 Ubicación de Funcionamiento

Sólo utilice el motor AL AIRE LIBRE y colóquelo en un área bien ventilada, y considere cuidadosamente los vientos y corrientes de aire.

Previo a cualquier operación, coloque el motor sobre una superficie nivelada.

Deje tres pies de espacio libre en todos los lados del motor mientras lo opera al aire libre.



PELIGRO

GASES TÓXICOS

El escape del motor contiene monóxido de carbono, que es un gas inodoro, incoloro y venenoso. ¡El uso del motor en interiores PUEDE MATARLO!

NUNCA lo utilice dentro de ningún edificio ni en ningún tipo de recinto, INCLUSO SI las puertas y ventanas están abiertas.

Alta Altitud

Este motor puede requerir un kit de carburador de altitud elevada para asegurar su funcionamiento correcto en altas altitudes. Consulte a su

distribuidor local para saber más información sobre el kit de altitud elevada si siempre opera su motor en altitudes por encima de 5,000 pies (1,500 metros).

PRECAUCIÓN

Incluso mediante la modificación del carburador, la potencia del motor se reducirá alrededor de un 3.5% por cada aumento de 1,000 pies (300 metros) en la altitud. En caso de no realizar ninguna modificación al carburador, será mayor el efecto de la altitud sobre la potencia.

PRECAUCIÓN

Si opera el motor con un carburador modificado en una altitud por debajo de 5,000 pies (1,500 metros), puede provocar que el motor se sobrecaliente y el motor se dañe gravemente.

2 Condiciones Operativas

Verifique si hay piezas sueltas o dañadas, signos de fuga de aceite o combustible y cualquier otra condición que pueda afectar el funcionamiento correcto. Repare o reemplace inmediatamente todas las piezas dañadas y defectuosas.

⚠ ADVERTENCIA

De no corregir el(los) problema(s) antes de la operación, podría resultar en daños a la propiedad, graves lesiones o la MUERTE.

Elimine toda la suciedad y desechos excesivos, sobre todo, alrededor del silenciador y protector estático.

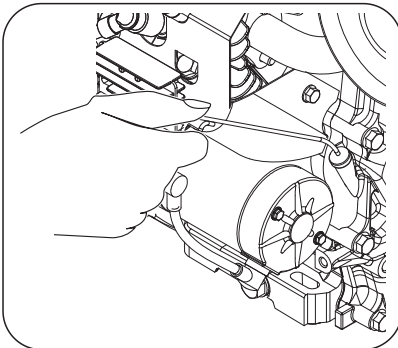
Consulte las instrucciones de operación del equipo accionado por este motor. No opere este motor fuera del ángulo máximo de operación, véase la tabla de especificaciones. Una insuficiente lubricación podría dañar el motor.

3 Aceite del motor

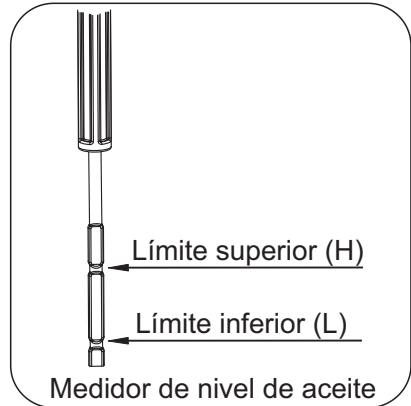
Coloque el motor sobre una superficie nivelada con el motor detenido. Saque la varilla y límpiela.

Saque la varilla y límpiela.

Inserte la varilla en el agujero de la varilla.



Vuelva a sacar la varilla para verificar el nivel de aceite. El nivel debe estar en la parte superior del indicador en la varilla.



Añada el aceite recomendado al límite superior (marcado con "H") de la varilla si el nivel de aceite está bajo.

Reinserte la varilla en el agujero de la varilla.

Para conocer más información, consulte las instrucciones Añadir Aceite en la sección MANTENIMIENTO.

Capacidad de aceite (nominal): Consulte los parámetros.

⚠ ADVERTENCIA

Este motor no está lleno de aceite en fábrica. Cualquier intento de hacer girar o arrancar el motor antes de llenarlo adecuadamente con el tipo y la cantidad de aceite recomendados puede dañar el motor y anular su garantía.

⚠️ ADVERTENCIA

El aceite es un principal factor que afecta el rendimiento y la vida útil. Utilice aceite detergente automotivo SAE 10W-30 API SG o más reciente, tal como se recomienda en la sección MANTENIMIENTO de este manual.

⚠️ PRECAUCIÓN

En el tanque de combustible se puede acumular presión. Antes de quitar la tapa de combustible, deje que se refrigere el motor durante por lo menos dos minutos. Afloje lentamente la tapa de combustible para aliviar toda la presión en el tanque.

⚠️ PRECAUCIÓN

Haga funcionar el motor únicamente sobre una superficie nivelada. El motor dispone de un sensor de bajo nivel de aceite. La unidad se apagará en una situación donde el aceite descenda por debajo del nivel apropiado del cárter. Para evitar apagado inesperado, añada aceite al límite superior y verifique el nivel de aceite antes de cada uso.

4 Reglas de seguridad

Verifique el indicador de nivel de combustible con el motor detenido. Rellene el tanque de combustible (no suministrado) cuando sea necesario.

Utilice gasolina regular sin plomo limpia y fresca.

No mezcle el aceite con gasolina. Asegúrese de no añadir combustible por encima de la marca de límite superior. Siempre deje un espacio para la expansión del combustible.

NUNCA utilice productos limpiadores de motor o de carburador en el tanque de combustible, de lo contrario, se pueden producir daños permanentes.

Durante el almacenamiento, es importante evitar la formación de depósitos de goma en las partes clave del sistema de combustible, tales como el carburador, el filtro de combustible, la manguera de combustible y el tanque. Adicionalmente, la experiencia indica que el combustible mezclado con alcohol (conocido como gasohol, etanol o metanol) puede absorber la humedad, resultando así en la separación y la formación de

ácidos durante el almacenamiento.

Los combustibles ácidos pueden causar daños al sistema de combustible de un motor durante el almacenamiento. Asegúrese de revisar las instrucciones en el capítulo “Almacenamiento”.



⚠ ADVERTENCIA

INCENDIO O EXPLOSIÓN

La gasolina es fácilmente inflamable y explosiva.

El incendio o la explosión puede ocasionar graves quemaduras o la muerte.

Mantenga los artículos inflamables alejados al manejar gasolina.

Llene el tanque de combustible al aire libre y en un área bien ventilada con el motor detenido.

Siempre elimine el combustible derramado, y espere a que se haya secado el combustible antes de arrancar el motor.

NO opere el motor con fugas conocidas en el sistema de combustible.

Utilice procedimientos apropiados para almacenar y manejar combustible. NO almacene combustible ni

otros materiales inflamables en los alrededores.

Vacíe el tanque de combustible antes de almacenar o transportar este motor.

Tenga a la mano un extintor y esté preparado si se inicia un incendio.

Mezclas de Gasolina / Alcohol: Queda aprobado como combustible hasta un 10% de alcohol y un 90% de gasolina sin plomo por volumen. Otras mezclas de gasolina / alcohol no están aprobadas. Los efectos del combustible viejo, rancio o contaminado no son garantizados.

⚠ ADVERTENCIA

Para minimizar los depósitos de goma en su sistema de combustible y garantizar un arranque fácil, no aplique la gasolina que queda después de la temporada anterior.

5 Revisión del equipo

Verifique el equipo accionado por este motor. Revise las instrucciones provistas por el fabricante del equipo para las precauciones y procedimientos que se deben seguir antes de arrancar el motor.

ADVERTENCIA

Este motor está diseñado y fabricado para aplicaciones específicas. No intente modificar el equipo ni utilizarlo para ninguna aplicación para la que no fue diseñado. En caso de tener alguna pregunta sobre la aplicación específica, consulte a su distribuidor local.

2. Arrancar el motor

1

Realice la lista de verificación para el funcionamiento.

2

La posición inicial del estrangulador variará según la temperatura del motor. Para arrancar un motor frío, tire del estrangulador completamente hasta la posición "CLOSED". Si arranca un motor caliente, mueva el estrangulador a la posición intermedia entre "OPEN" y "CLOSED".

Mueva el acelerador a la posición "RÁPIDO" (si está equipado). Gire la válvula de combustible a la posición "ENCENDIDO" o "ABIERTO" (si está equipada).

3

Gire la llave más allá de la posición "ENCENDIDO" a la posición "ARRANCAR". Después de que el motor haya arrancado, suelte la llave para permitir que vuelva a la posición "ENCENDIDO".

Si el arrancador no arranca el motor, no siga haciendo girar el motor ya que puede causar daños al arrancador.

PRECAUCIÓN

No intente hacer girar el motor continuamente por más de 5 segundos a la vez. Si el motor no puede arrancar, deje que se refrigere el arrancador durante un minuto antes de intentar reiniciar el motor. Los intentos continuos de arranque del motor dañarán el arrancador.

PRECAUCIÓN

Si el motor no se pone en marcha tras tres intentos, verifique que el motor está sobre una superficie nivelada y que el aceite permanece en un nivel apropiado. Verifique que la válvula de combustible está abierta (si está equipada).

El motor está equipado con un sensor de bajo nivel de

aceite; un bajo nivel de aceite impedirá que arranque el motor.

Inspeccione rutinariamente el nivel de aceite antes de cada uso del motor.

Si el motor no arrancará, deje que se detenga antes de intentar reiniciar el motor. Si intenta arrancar el motor mientras el volante todavía está girando, esto puede provocar daños al piñón del arrancador.

4

En motores fríos, jale el estrangulador completamente a la posición "CLOSED". Si arranca un motor caliente, mueva el estrangulador a la posición intermedia entre "OPEN" y "CLOSED".

⚠ PRECAUCIÓN

Tire del estrangulador a la posición "CLOSED". La posición inicial del estrangulador variará según la temperatura del motor. Si arranca un motor frío, tire del estrangulador hacia la posición "CLOSED". Si arranca un motor caliente, empuje el estrangulador hacia la posición "OPEN".

Configurar la velocidad del motor

1

Acorde a los requisitos de su aplicación, ajuste la velocidad del motor con la palanca de acelerador (si está equipada).

2

En caso de tener alguna pregunta sobre el uso de este motor para una aplicación específica, revise el manual del operador del producto y/o contacte con su distribuidor autorizado local para pedir ayuda.

3. Detener el Motor

1

Cuando necesite detener el motor en una emergencia, simplemente gire la llave a la posición "APAGADO". Para un apagado normal, primero mueva el acelerador a la posición "LENTO" (si está equipado). Deje que desacelere el motor, luego gire la llave a la posición "APAGADO". Si su sistema de combustible dispone de una válvula, gírela a la posición "APAGADO" o "CERRADO".

2

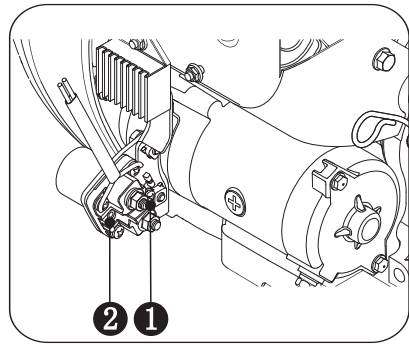
Si aparecen ruidos anormales, graves vibraciones, sacudidas, saltos o cualquier otra situación anormal mientras el motor está funcionando, gire la llave a la posición “APAGADO” antes de resolver problemas.

4. Aplicación terminal

El arrancador del motor requiere que el sistema eléctrico arranque o se alimente mediante una batería de 12 voltios (V) con una capacidad mínima de 21 amperios-hora (Ah). Conecte el cable positivo (+) de la batería al terminal positivo del relé del arrancador. Conecte el cable negativo (-) de la batería a un perno de montaje del motor, al marco conductor que soporta el motor o a cualquier otro punto de puesta a tierra del motor.

⚠ ADVERTENCIA

NO conecte el cable negativo (-) de la batería a la base de montaje del filtro de aceite ni a ninguna parte del sistema de combustible.



1 Terminal positivo

2 Conector del relé

5. Tras cada uso

Si el motor no estará en uso por dos meses o más, drene el sistema de combustible en un recipiente aprobado. Almacene el motor en un lugar fresco y seco.

- Desconecte el cable de batería negativo negro (-).
- Ver la Sección VI, Almacenamiento y Transporte.

IV. Mantenimiento

El propietario / operador tiene la responsabilidad de finalizar oportunamente todo el mantenimiento programado. Corrija todos los problemas antes de operar el motor. Siempre siga las recomendaciones y programas de inspección y mantenimiento que figuran en este manual.



⚠ PELIGRO

Los arranques accidentales pueden causar graves lesiones o la muerte. Antes de realizar servicio, desconecte el cable negativo (-) de la batería y también ambos cables de bujía.

Antes de realizar servicio, desconecte el cable negativo (-) de la batería y también ambos cables de bujía. Deje que se refrigere el motor si está caliente.

⚠ ADVERTENCIA

En caso de mantenimiento inapropiado o no corregir un problema antes de la operación, puede resultar en un mal funcionamiento y ocasionar daños a la propiedad, graves lesiones o la MUERTE.

Su garantía será anulada por un mantenimiento inapropiado.

1. Programa de Mantenimiento

Siga los intervalos de servicio especificados en la tabla abajo. Cuando su motor funciona en duras condiciones, realice servicio con más frecuencia. Contacte con su distribuidor de servicio local para saber las necesidades de mantenimiento de su motor.

		Cada vez antes del uso	El primer mes o 10 horas ^{Nota 2}	Cada 3 meses o 25 horas ^{Nota 2}	Cada 3 meses o 50 horas ^{Nota 2}	Cada año o 100 horas ^{Nota 2}	Cada año o 200 horas ^{Nota 2}
Aceite del motor	Inspección	✓					
	Reemplazo				✓		
Filtro de Aire	Inspección	✓					
	Limpieza			✓			
Bujía	Inspección y ajuste				✓		
	Reemplazo						✓
Parachispas ^{Nota 1}	Limpieza					✓	
Filtro fino de aceite	Reemplazo						✓
Filtro de combustible	Reemplazo					✓	
Velocidad de ralentí	Inspección y ajuste					✓	
Holgura de la Válvula	Inspección y ajuste					✓	
Depósito de carbono ^{Nota 1}	Inspección	Cada dos años ^{Nota 4}					
Tubo de aceite de baja permeabilidad ^{Nota 1}	Inspección	Cada dos años ^{Nota 4}					
Tubo de aceite	Inspección	Cada dos años ^{Nota 4}					

Nota 1: Tipos aplicables.

Nota 2: Antes de cada temporada, y luego siga el intervalo de servicio establecido.

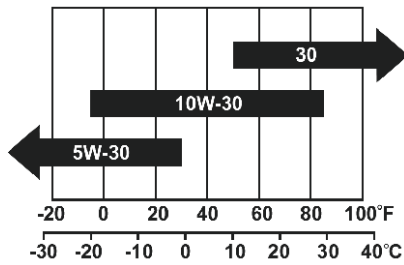
Nota 3: Realice servicio con más frecuencia en caso de operar el motor bajo las condiciones adversas, polvorientas y / o sucias.

Nota 4: Se ha de realizar por propietarios con conocimientos y experiencia o el distribuidor autorizado.

2. Mantenimiento general

Aceite del motor

Se recomienda aceite detergente automotivo SAE 10W-30 API SG o más reciente para uso general a todas las temperaturas. Se pueden aplicar otras viscosidades que figuran en la tabla cuando la temperatura promedio en su área está dentro del rango indicado.

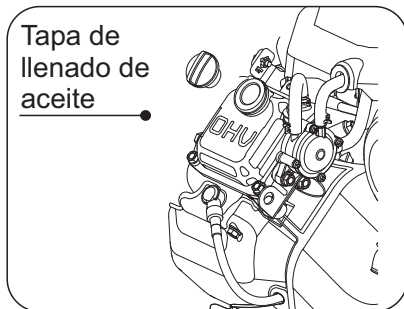


TEMPERATURA AMBIENTE

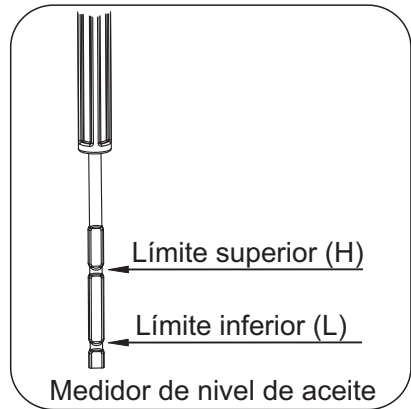
Capacidad de aceite (nominal):
Consulte los parámetros.

Añada aceite

1. Coloque el motor sobre una superficie nivelada.
2. Quite la tapa de llenado de aceite. Añada aceite del tipo apropiado recomendado.



3. Retire la varilla y verifique el volumen de llenado de aceite que debe estar en el límite superior de la escala (punto H).



4. Durante la inspección, inserte la varilla completamente en el agujero de la varilla.

Cambiar Aceite

PRECAUCIÓN

Cambie el aceite con el motor aún caliente del funcionamiento.

Para cambiar el aceite, se recomienda dejar funcionar el motor por unos minutos para calentar el aceite. Esto asegurará que se drene todo el aceite usado del motor.

1. Coloque un recipiente adecuado por debajo del perno de drenaje de aceite. Quite la tapa de llenado de aceite. Luego utilice una llave para aflojar el perno de drenaje en sentido antihorario. Una vez suelto, desenrosque completamente el perno con sus dedos para quitarlo y su junta.

2. Cuando el aceite esté completamente drenado, inspeccione la junta del perno de drenaje en busca de daños; reemplace si es necesario. Enrosque a mano el perno de drenaje. Con una llave, apriete hasta que quede ajustado.

3. Asegure que el motor se encuentre sobre una superficie nivelada, y llene el motor con el aceite del grado recomendado al límite superior de la varilla. NO lo llene en exceso.

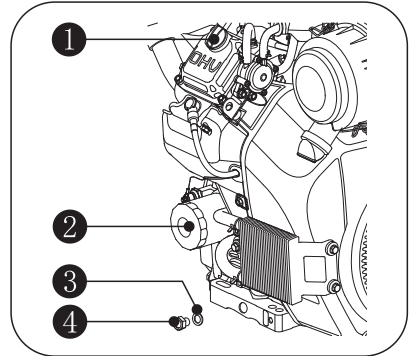
4. Recoloque y apriete la tapa de llenado de aceite.

⚠ PELIGRO

El motor no está lleno de aceite en fábrica. Cualquier operación antes de llenarlo adecuadamente con el tipo y la cantidad de aceite recomendados puede dañar el motor y anular su garantía.

Rápidamente elimine los derrames de aceite en el motor o en los alrededores. Lávese sus manos con jabón y agua tibia.

Sólo deseche el aceite residual en un reciclador de aceite residual local.



- ① Tapa de llenado de aceite
- ② Filtro de aceite
- ③ Junta del perno de drenaje
- ④ Perno de drenaje

Reemplazar el filtro de aceite

Drene el aceite, luego vuelva a apretar el perno de drenaje.

1. Utilice una llave extractora para filtros de aceite para aflojar el filtro y quitarlo. Vierta el aceite contenido en el filtro en la bandeja de aceite residual.

2. Elimine todo el aceite residual y desechos en el puerto del filtro de aceite. Utilice aceite fresco para lubricar el sello del nuevo filtro de aceite.

3. Apriete el filtro con la mano o conforme a las instrucciones del filtro.

4. Asegure que el motor se encuentre sobre una superficie nivelada, y llene el motor con el aceite del grado recomendado al límite superior de la varilla. NO lo llene en exceso.

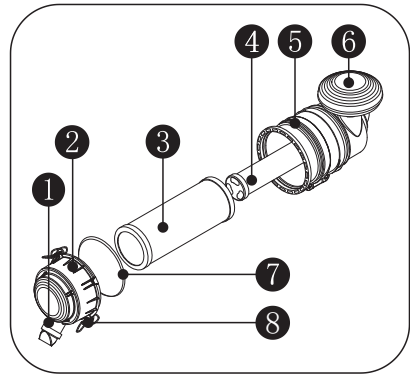
5. Arranque el motor y verifique si existen fugas de aceite.

6. Detenga el motor, luego quite la varilla y verifique si el nivel de aceite está dentro del rango especificado. Cuando el nivel de aceite esté demasiado bajo, se requiere añadir aceite a la escala predeterminada.

⚠ PRECAUCIÓN

El elemento del filtro de aire y el depósito filtrante pueden contener Hidrocarburos Aromáticos Policíclicos (HAP). Algunos HAP pueden provocar cáncer. Para evitar exponerse a los HAP, lleve guantes al efectuar el mantenimiento del filtro de aire.

Filtro de Aire



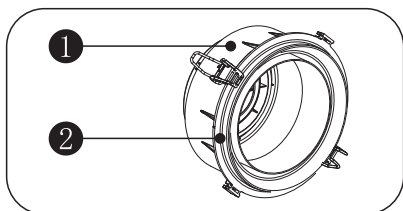
- ① Válvula de residuos
- ② Cubierta del filtro de aire
- ③ Filtro grueso
- ④ Filtro fino
- ⑤ Carcasa del filtro de aire
- ⑥ Tapa de entrada de aire
- ⑦ Sello de goma
- ⑧ Clip de retención

1. Limpie el área alrededor del filtro de aire.

2. Desenganche los clips de sujeción y quite la cubierta.

3. Retire el elemento de filtro grueso y el elemento de filtro fino.

4. Verifique el estado del sello de caucho y reemplácelo cuando sea necesario.



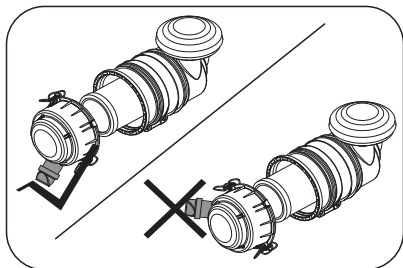
- ① Cubierta del filtro de aire
- ② Sello de goma

5. Limpieza de los elementos del filtro: golpee suavemente los elementos del filtro para eliminar los residuos sueltos. No limpie los elementos del filtro de papel con cepillos, aire comprimido, etc. Los filtros que estén muy sucios deben reemplazarse por elementos nuevos.

6. Coloque los elementos del filtro en el cuerpo del filtro.

7. Con la válvula de desechos apuntando hacia abajo, coloque la tapa del filtro de aire en el cuerpo del filtro. Encaje los clips de retención en la posición de bloqueo.

NOTA: La válvula de desechos en la cubierta del filtro debe apuntar hacia abajo.



⚠ PRECAUCIÓN

Como un componente clave relacionado con las emisiones, el filtro de aire no debe alternarse ni modificarse de ninguna manera.

La operación del motor con componentes sueltos o dañados del filtro de aire podría ocasionar desgaste y fallas en el motor y anular su garantía.

No se debe soplar el elemento de papel con aire comprimido.

⚠ ADVERTENCIA

No haga funcionar el motor sin instalar el elemento de papel; de lo contrario, se puede dañar el motor.

⚠ PELIGRO

Nunca limpie la carcasa del filtro con gasolina o solvente inflamable. El uso de cualquier agente inflamable puede producir una explosión.

Bujía

1. Bujías recomendadas: F6RTC. Siempre reemplace las bujías en pares.
2. El uso de un tipo de bujía no recomendado puede causar daños al motor.
3. Elimine la suciedad de la tapa y el fondo de la bujía.
4. Quite la tapa de la bujía.
5. Afloje las bujías con una llave o vaso para bujías del tamaño apropiado para su extracción o reinstalación.
6. Inspeccione la bujía y la arandela de la bujía. Reemplace la bujía si ésta o la arandela está dañada.

⚠ PRECAUCIÓN

siempre reemplaza dos bujías al mismo tiempo.

7. Verifique la separación de la bujía. Doble el electrodo lateral cuidadosamente para ajustar la separación cuando sea necesario.

Separación de la bujía: 0.024 – 0.031” (0.6 – 0.8mm)

0.024 – 0.031”
(0.6 – 0.8mm)



Verifique la separación de la bujía

8. Enrosque a mano la bujía en el motor con cuidado.
9. Después de que la bujía esté asentada, apriétela con una llave de bujías.

Par de Apriete para la Bujía: 15-18 ft.lb.(20 - 25 N.m)

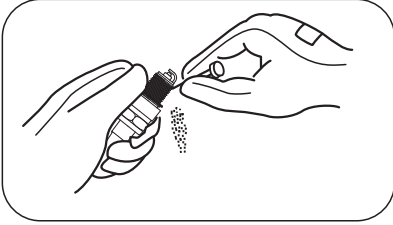
10. Conecte el cable de la bujía a la bujía.

⚠ ADVERTENCIA

Sólo utilice la bujía recomendada u otros equivalentes. NO adopte bujías con un rango de calor inapropiado.

Las bujías deben apretarse a un par apropiado. La(s) bujía(s) suelta(s) provocará(n) fugas de compresión, que resultarán difícilarrancar y disminuirán la potencia del motor.

Para asegurar el funcionamiento correcto del motor, el espacio libre de la bujía debe mantenerse y estar libre de depósitos. Limpie la bujía según los pasos que se muestran abajo.



- a) Quite la bujía.
- b) Una pequeña cantidad de acumulación en los electrodos puede eliminarse con un cepillo de alambre. Reemplace la bujía si está muy sucia. La(s) bujía(s) que parece(n) mojada(s), aceitosa(s) o tiene(n) electrodo(s) muy desgastado(s) indica(n) que el motor debe revisarse por un técnico capacitado en pequeños motores.

Parachispas

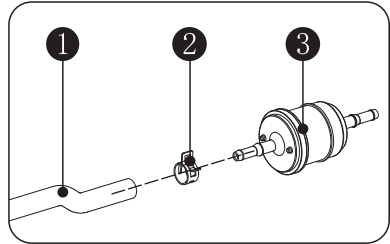
(Tipos aplicables)

1. Deje que se refrigere el motor por completo antes de mantener el parachispas.
2. Quite los dos tornillos que fijan la placa de cubierta a través de la cual se retiene el extremo del parachispas al silenciador.

3. Quite la pantalla del parachispas.

4. Utilice un cepillo de alambre para eliminar los depósitos de carbono de la pantalla del parachispas con cuidado.

Sustitución del filtro de combustible



- 1 Manguera de combustible
- 2 Clip
- 3 Filtro de combustible

1. Usando unos alicates, afloje el clip.
2. Vuelva a instalar el clip con unos alicates.

V. Análisis y resolución de problemas

Fenómeno	Problemas	Soluciones
El motor no arranca	El interruptor del motor está apagado.	Coloque el interruptor del motor en la posición ENCENDIDO.
	No hay combustible.	Llene el tanque conforme a las instrucciones en este manual.
	El aceite del motor no es adecuado.	Verifique el nivel de aceite. Este motor dispone de un sensor de bajo nivel de aceite. El motor no puede arrancarse salvo que el nivel de aceite esté por encima del límite inferior prescrito.
	No hay encendido.	Utilice un probador de chispa externo para asegurar que ambos cilindros tengan una chispa apropiada. En caso de que la chispa sea débil o falte en uno o ambos de los cilindros, contacte con su distribuidor de servicio autorizado local.
	El filtro de combustible está obstruido.	Reemplace el filtro de combustible con un filtro nuevo.
	El estrangulador está abierto.	Cierre el estrangulador y luego repita el proceso de arranque.

Si su motor no funciona correctamente o hay alguna pieza faltante o rota, NO LO DEVUELVA AL LUGAR DE COMPRA. Contacte con nuestro Departamento de Servicio al Cliente al 1-833-279-3646 o CRXservice@Fna-Group.com.

VI. Almacenamiento y transporte

Almacenamiento

No mezcle el aceite con gasolina. El motor debe arrancarse por lo menos una vez cada 2 semanas y operarse durante al menos 20 minutos. Observe las instrucciones abajo para un almacenamiento a mayor plazo si el motor no estará en uso por 2 meses o más.



PELIGRO

Incendio o explosión

La gasolina es fácilmente inflamable y explosiva. Antes de almacenar o transportar este motor, vacíe el tanque de combustible y cierre la válvula de combustible.

1. Deje que se refrigere un motor caliente.
2. Cambie el aceite mientras el motor está caliente.
3. Drene completamente todo el combustible del tanque de combustible, la manguera de combustible, el filtro de combustible y el carburador. Deseche correctamente el combustible/aceite usado.
4. Quite ambas bujías y luego vierta 1 onza de aceite del motor en los cilindros. Reinstale las bujías pero no conecte los

cables de las bujías. Gire el motor por un segundo girando la llave a la posición "ARRANCAR". Conecte los cables de las bujías.

5. Desconecte el cable negativo (-) de la batería. Elimine toda la suciedad y desechos en el motor.

6. Almacene la unidad en un área limpia, seca y fuera de la luz solar directa.

Transporte

Para prevenir derrames de combustible durante el transporte o el almacenamiento provisional, el motor debe fijarse verticalmente en su posición de funcionamiento normal, con el interruptor del motor APAGADO.

Gire la válvula de combustible a la posición "APAGADO" o "CERRADO" (si está equipada).

ADVERTENCIA

Durante el transporte:

NO llene en exceso el tanque.

Al colocar el motor en un vehículo, evite un lugar expuesto a la luz solar directa. Si el motor queda en un vehículo cerrado por muchas horas, la temperatura elevada dentro

del vehículo podría hacer que se vaporice el combustible, resultando así en una posible explosión.

No conduzca por un camino difícil durante un largo período de tiempo con el motor a bordo. Si debe transportar el motor por un camino difícil, drene previamente el combustible del motor.

 **PRECAUCIÓN**

Durante el transporte, tenga cuidado de no dejar caer ni golpear el motor. No coloque objetos pesados sobre el motor.

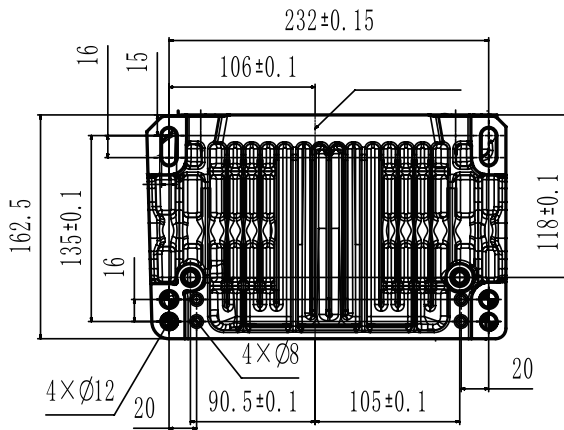
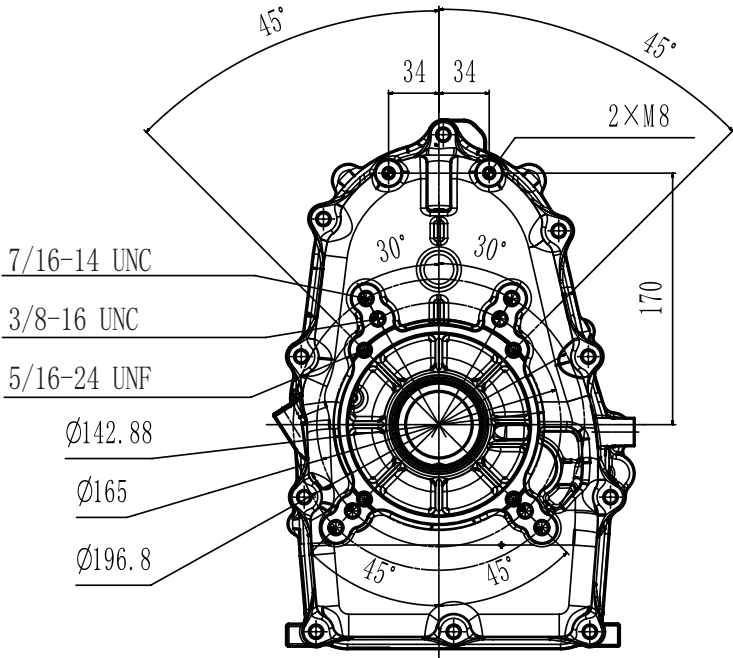
VII.Especificaciones

1.Tabla de Parámetros de Especificaciones

Categoría	Elemento	CRX1000	
Parámetros de la estructura principal	Tipo	Válvula en cabeza	
	Cantidad de cilindros	2	
	Diámetro del pistón (mm)	90	
	Carrera del pistón (mm)	78.5	
	Desplazamiento total (cm ³)	999	
	Relación de compresión	9.0:1	
	Potencia nominal neta (kW)	CI 24.0/3600 según SAE J1349 Net Power	
	Dirección de giro	En sentido antihorario (cuando mira hacia el PTO)	
	Ángulo de avance de encendido(°)	30°±2°	
	Holgura de la válvula	Holgura de la válvula de admisión	0.004 – 0.006” (0.10 – 0.15mm)
		Holgura de la válvula de escape	0.006 – 0.008” (0.15 – 0.20mm)
	Separación de la bujía	0.024 – 0.031” (0.6 – 0.8mm)	
Combustible y aceite	Aceite	SAE 10W-30 API SG or newer	
	Combustible	Gasolina normal	
	Capacidad de combustible (L)	/	
	Capacidad de aceite (L)	2.5	
Dimensiones y masa	Dimensiones (Longitud × Ancho × Altura)	20.08 x 23.54 x 22.48” (510 x 598 x 571mm)	
	Masa neta	136.7lbs (62kg)	

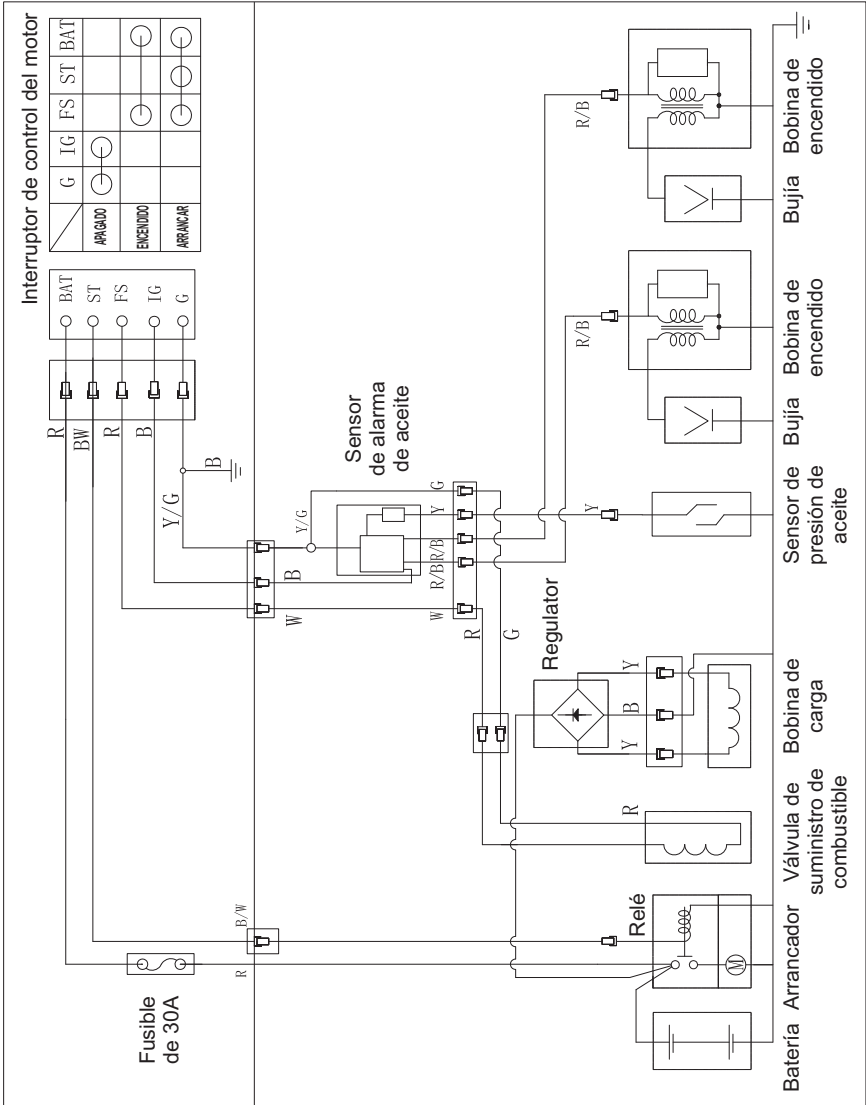
Nota: En cualquier momento se pueden actualizar los datos del motor sin previo aviso ni obligación. Contacte con su distribuidor autorizado local para conocer información del motor.

2. Dimensiones de Instalación de la Cubierta



3. Diagrama de circuitos del motor

Esquema eléctrico CRX1000



3 GARANTÍA COMERCIAL LIMITADA DE 3 AÑOS

TÉRMINOS DE LA COBERTURA DE GARANTÍA:

El fabricante de este producto acepta reparar o reemplazar las piezas designadas que se demuestren defectuosas dentro del período de garantía enumerado más abajo, a la sola discreción del fabricante. Se aplican limitaciones / extensiones y exclusiones específicas.

Esta garantía abarca defectos en el material y la mano de obra y no fallos en las piezas debido al desgaste normal, depreciación, abuso, daño accidental por deterioro químico, acumulación de incrustaciones, corrosión por óxido o expansión térmica, negligencia, uso indebido, mantenimiento, calidad del agua o almacenamiento. Para hacer un reclamo respecto a los términos de la garantía, todas las piezas que se consideren defectuosas deben conservarse y estar disponibles para su devolución, previa petición, a un Centro de Servicio de Garantía designado para la inspección de garantía. Los juicios y decisiones del fabricante sobre la validez de los reclamos de garantía son definitivos.

Estas garantías pasan al usuario final y no son transferibles. Como un Centro de Servicio de Garantía autorizado y capacitado por la fábrica, la fábrica honrará los términos de todas las garantías de los componentes y atenderá los reclamos de las provisiones de garantía correspondientes.

Los elementos de desgaste normal incluyen, pero no limitándose a, bujías, ajustes del carburador, ajustes de encendido, filtros, cambios de aceite, cables del arrancador de retroceso, escobillas del motor eléctrico, clavijas, juntas, válvulas, pistones o cualquier otra pieza que se considere elemento de desgaste, que no están cubiertos por la garantía. La garantía arriba mencionada es exclusiva y en lugar de cualquier otra garantía, ya sea escrita, oral, expresa o implícita. No existen garantías de comerciabilidad o idoneidad de ningún producto para un finespecífico. La única responsabilidad del Grupo FNA será reparar o reemplazar piezas como se mencionó antes. El Grupo FNA no se hará responsable en ningún caso de pérdidas o daños que sean indirectos, consecuentes, punitivos, especiales, ejemplares o por pérdida económica, pérdida comercial, pérdida de ingresos, pérdida de beneficios o pérdida de oportunidades comerciales, con independencia de que esa responsabilidad se base en ruptura de contrato, agravio, responsabilidad estricta, violación de garantías, incumplimiento de un fin esencial o de otro tipo, o sea un resultado directo de las propias acciones o inacciones del Grupo FNA. Algunos estados no permiten limitar la duración de una garantía implícita, por lo que la limitación anterior podría no aplicarse en su caso.

El Grupo FNA no asume ninguna responsabilidad por daños incidentales, consecuenciales u otros, incluyendo pero no limitándose a, gastos relacionados con el transporte del producto hacia o desde un servicio autorizado, tiempo de viaje de un mecánico, cargos telefónicos o de comunicación, alquiler de un producto similar mientras se está llevando a cabo el servicio de garantía, cualquier otro tiempo o gasto de viaje, pérdida o daño a la propiedad personal, pérdida de ingresos, pérdida de uso del producto, pérdida del tiempo o cualquier otro inconveniencia. Dado que algunos estados no permiten la exclusión o limitación de daños incidentales o consecuenciales, la limitación o exclusión arriba mencionada puede no ser aplicable a usted.

Esta garantía se ofrece en lugar de todas las otras garantías, expresas o implícitas, incluyendo sin limitación cualquier garantía de comerciabilidad o aptitud para un fin en particular y, por la presente, la totalidad de tales garantías queda denegada y excluida por el fabricante. La obligación de garantía del fabricante está limitada a la reparación y reemplazo de productos defectuosos aquí dispuestos, y el fabricante no se hará responsable por ninguna pérdida, daño o gasto adicional - incluidos daños por envío, accidentes, abuso, casos de fuerza mayor, uso indebido o negligencia. Tampoco asumirá ninguna responsabilidad por daños que se deriven de reparaciones con piezas no compradas al fabricante o alteraciones efectuadas por personal no autorizado por la fábrica. De no instalar y operar el equipo según las directrices definidas en el manual de instrucciones, se anulará la garantía.

RESPONSABILIDAD DEL COMPRADOR ORIGINAL (USUARIO INICIAL):

Para procesar un reclamo de garantía, informe la cuestión al CRXservice@Fna-Group.com o 1-833-279-3646 para solicitar autorización y dirección al centro de servicio autorizado más cercano en su área.

Conserve el recibo de venta de caja registradora original como justificante de compra para el servicio de garantía.

Tenga cuidado razonable en la operación y mantenimiento del producto, tal como se especifica en el(los) Manual(es) del Propietario.

DECLARACIÓN DE GARANTÍA FEDERAL SOBRE EL CONTROL DE EMISIONES DE ESCAPE

SUS DERECHOS Y OBLIGACIONES DE GARANTÍA

La Agencia de Protección Ambiental de los Estados Unidos (EPA) y el Grupo FNA (FNA) se complacen en explicar la garantía del sistema de control de emisiones de escape para su pequeño motor todoterreno (SORE) de 2024. Los nuevos equipos que utilizan pequeños motores todoterreno deben estar diseñados, construidos y equipados para cumplir las estrictas normas anti-contaminación del Estado. FNA debe garantizar el sistema de control de emisiones de escape en su SORE durante el período de tiempo enumerado abajo siempre que no haya abuso, negligencia ni mantenimiento de su motor que lleva a la falla del escape sistema de control de emisiones.

Su sistema de control de emisiones de escape puede incluir piezas como el carburador o el sistema de inyección de combustible, el sistema de encendido y el convertidor catalítico. También pueden incluirse las mangueras, las correas, los conectores y otros conjuntos relacionados con las emisiones.

Donde exista una condición cubierta por la garantía, FNA reparará su SORE sin costo para usted por el diagnóstico, las piezas y la mano de obra.

COBERTURA DE GARANTÍA DEL FABRICANTE:

Este sistema de control de emisiones de escape en su SORE está garantizado por dos años. Si cualquier pieza de su SORE relacionada con las emisiones de escape está defectuosa, esta pieza será reparada o reemplazada por FNA.

RESPONSABILIDADES DE LA GARANTÍA DEL PROPIETARIO:

Como propietario del SORE, usted es responsable de realizar el mantenimiento requerido tal como se enumera en su manual del propietario. FNA recomienda que usted conserve todos los recibos que cubren el mantenimiento sobre su SORE, pero FNA no puede anular la garantía únicamente por la carencia de recibos o por no asegurarse usted de la realización de todo el mantenimiento programado.

Como propietario del SORE, usted debe, sin embargo, ser consciente de que FNA puede anular su garantía si ha fallado su SORE o cualquier pieza debido al abuso, negligencia, mantenimiento inadecuado o modificaciones no aprobadas.

Es su responsabilidad presentar su SORE a un centro de distribución o centro de servicio de FNA tan pronto como se encuentre un problema. Las reparaciones de garantía deberán completarse en un tiempo razonable, sin exceder los 30 días.

Si tiene alguna pregunta sobre sus derechos y responsabilidades de garantía, debe ponerse en contacto con el **Grupo FNA** al **1-833-279-3646** o correo electrónico a **CRXservice@Fna-Group.com**.

REQUISITOS DE GARANTÍA SOBRE DEFECTOS:

(a) Aplicabilidad. Esta sección se aplica a los sistemas de control de emisiones de escape para pequeños motores todoterreno sujetos a las normas de emisiones que figuran en este Artículo. El período de garantía comenzará en la fecha en que el motor se entregue a un comprador final.

(b) Cobertura General de la Garantía de Emisiones de Escape. El motor debe estar garantizado al comprador final y a cada subsiguiente propietario de que, en el momento de la instalación, el sistema de control de emisiones de escape ha sido:

- (1) Diseñado, construido y equipado para cumplir con todas las normativas aplicables; y
- (2) Libre de defectos en materiales y mano de obra que causen la falla de una pieza garantizada durante un período de dos años.

(c) La garantía de las piezas relacionadas con las emisiones de escape se interpretará de la siguiente manera:

(1) Cualquier pieza garantizada que no esté programada para el reemplazo como mantenimiento requerido en las instrucciones escritas provistas con cada nuevo motor debe estar garantizada durante el período de garantía definido en la subsección (b)(2). Si falla cualquier pieza durante el período de cobertura de la garantía, deberá ser reparada o reemplazada por FNA según la subsección (4) de abajo. Cualquier pieza así reparada o reemplazada bajo la garantía deberá estar garantizada por un plazo no menor que el resto del período de garantía.

(2) Cualquier pieza garantizada que esté programada sólo para la inspección periódica en las instrucciones escritas provistas con cada nuevo motor debe estar garantizada durante el período de garantía definido en la subsección (b)(2). Una declaración en tales instrucciones escritas a efecto de "reparar o reemplazar según sea necesario" informará a los propietarios sobre la cobertura de garantía para las piezas relacionadas con las emisiones de escape. El reemplazo dentro del período de garantía está cubierto por la garantía y no reducirá el período de cobertura de la garantía. Cualquier pieza así reparada o reemplazada bajo la garantía deberá estar garantizada por un plazo no menor que el resto del período de garantía.

(3) Cualquier pieza garantizada que esté programada para el reemplazo como mantenimiento requerido en las instrucciones escritas provistas con cada nuevo motor debe estar garantizada durante el período de tiempo previo al primer punto de reemplazo programado para esa pieza. Si falla la pieza antes del primer reemplazo programado, debe ser reparada o reemplazada por el fabricante según la subsección (4) de abajo. Cualquier pieza así reparada o reemplazada bajo la garantía debe estar garantizada por un plazo no menor que el resto del período previo al primer punto de reemplazo programado para esa pieza.

(4) La reparación o reemplazo de cualquier pieza garantizada en virtud de las provisiones de garantía de este Artículo debe efectuarse, sin gasto alguno para el propietario, en una estación de garantía.

(5) No obstante lo dispuesto en la subsección (4) de arriba, los servicios de garantía o reparaciones deben proporcionarse en los centros de distribución franquiciados para dar servicio a los motores en cuestión.

(6) No se debe cobrar al propietario por el trabajo de diagnóstico que conduce a la determinación de que una pieza garantizada está de hecho defectuosa, siempre que dicho trabajo de diagnóstico se lleve a cabo en una estación de garantía.

(7) A lo largo del período de garantía del sistema de control de emisiones de escape que se define en la subsección (b)(2), FNA debe mantener un suministro de piezas garantizadas suficiente para cumplir la demanda esperada para dichas piezas y debe obtener piezas adicionales en caso de agotarse ese suministro.

(8) Las piezas de recambio aprobadas por el fabricante que no aumenten las emisiones de escape o evaporación del motor o del sistema de control de emisiones de evaporación deben utilizarse en la realización de cualquier mantenimiento o reparación bajo garantía y deben suministrarse sin cargo alguno para el propietario. Dicho uso no reducirá las obligaciones de garantía de FNA.

(9) El uso de piezas adicionales o modificadas puede ser motivo de no aceptar un reclamo de garantía realizado conforme a este Artículo. FNA no será responsable de las fallas de garantía de las piezas garantizadas debido al uso de una pieza adicional o modificada.

(10) FNA deberá proporcionar todos los documentos que describan los procedimientos o políticas de garantía del fabricante dentro de cinco días hábiles posteriores a la solicitud del Director Ejecutivo.

(d) Una lista de todas las piezas de garantía de emisiones de escape debe estar incluida con cada nuevo motor sujeto a este Artículo. La lista de piezas de garantía de emisiones de escape deberá incluir todas las piezas cuya falla podría aumentar las emisiones de escape, y comprende las piezas abajo (si es aplicable):

- (1) Sistema de Medición de Combustible
 - Carburador y piezas internas (y / o regulador de presión o sistema de inyección de combustible).
 - Sistema de retroalimentación y control de relación aire / combustible.
 - Sistema de enriquecimiento de arranque en frío.
- (2) Sistema de Inducción de Aire
 - Sistema de admisión de aire caliente controlado.
 - Colector de admisión.
 - Filtro de Aire.
- (3) Sistema de Encendido
 - Bujías.
 - Sistema de encendido por magneto o electrónico.
 - Sistema de avance / retardo de chispa.
- (4) Sistema de Recirculación de Gases de Escape (EGR)
 - Cuerpo de la válvula del EGR, y espaciador del carburador si procede.
 - Sistema de retroalimentación y control de tasa del EGR.
- (5) Sistema de Inyección de Aire
 - Bomba de aire o válvula de impulso.
 - Válvulas que afectan la distribución del flujo.
 - Colector de distribución.
- (6) Sistema Catalizador o Reactor Térmico
 - Convertidor catalítico.
 - Reactor térmico.
 - Colector de escape.
- (7) Controles de Partículas
 - Trampas, filtros, precipitadores y cualquier otro dispositivo utilizado para capturar emisiones de partículas.
- (8) Artículos Misceláneos Utilizados en los Sistemas Anteriores
 - Válvulas e interruptores sensibles al vacío, temperatura y tiempo.
 - Controles electrónicos.
 - Mangueras, correas, conectores y conjuntos.

Nota: Cualquier otra declaración de garantía aplicable a los motores o unidades no deberá limitar el período de garantía de emisiones de escape (dos años) ni su aplicabilidad a los subsiguientes propietarios después del comprador final.

Ce manuel contient des informations et des instructions de sécurité importantes pour l'utilisation de ce moteur.

VEUILLEZ LIRE ATTENTIVEMENT CE MANUEL. Le non-respect de cette consigne peut entraîner des dommages matériels et/ou des BLESSURES ou MORTS.

Fournissez ce manuel à tout opérateur de ce moteur. Ce manuel doit être considéré comme une partie permanente de votre moteur et doit rester avec lui lorsque vous le vendez.

Les images et les figures figurant dans le manuel ne sont données qu'à titre indicatif et il se peut qu'il y ait des différences entre les images et les figures et les produits physiques.

Toutes les informations contenues dans cette publication sont basées sur les dernières informations sur le produit disponibles au moment de l'impression. Nous nous réservons le droit de modifier, d'altérer et/ou d'améliorer le produit et ce document à tout moment sans préavis et sans encourir aucune obligation.

Notez le numéro de série du moteur et les informations relatives à l'achat. Conservez ce manuel et le reçu pour toute référence ultérieure.

Modèle:

Numéro de série:

Date d'achat:

Catalogue

I. Sécurité de l'opérateur	1
1. Règles de sécurité	1
II. Caractéristiques et commandes	5
III. Fonctionnement	6
1. Liste de contrôle du fonctionnement	6
2. Démarrage du moteur	10
3. L'ARRÊT DU MOTEUR	12
4. Application des bornes	12
5. Après chaque utilisation	13
IV. Maintenance	13
1. Calendrier d'entretien	14
2. Entretien général	15
V. Analyse et résolution des problèmes	21
VI. Stockage et transport	22
VII. Spécifications	24
1. Specification Parameter Table	24
2. Case cover installation dimension	25
3. Schéma électrique du moteur	26
VIII. GARANTIE	27
1. GARANTIE du moteur	27
2. GARANTIE sur les émissions	28

I. Sécurité de l'opérateur

1. Règles de sécurité



Faites attention à ce symbole d'alerte de sécurité. Respectez tous les messages de sécurité qui suivent ce symbole pour éviter tout dommage matériel, toute BLESSURE ou TOUTE mort.

Chaque message de sécurité est précédé d'un symbole d'alerte de sécurité et de l'un des trois mots suivants: DANGER, AVERTISSEMENT ou ATTENTION.

DANGER

Indique une situation dangereuse qui, si elle n'est pas strictement respectée, entraînera des dommages matériels importants, des blessures graves ou la MORT.

MISE EN GARDE

Indique une situation dangereuse qui, si elle n'est pas strictement respectée, peut entraîner des dommages matériels, des blessures graves ou la MORT.

ATTENTION

Indique une situation dangereuse qui, si elle n'est pas strictement respectée, peut entraîner des dommages matériels ou des blessures.



MISE EN GARDE

LISEZ ENTièrement CE MANUEL AVANT DE LE FAIRE FONCTIONNER.

NE PAS utiliser ce moteur avant d'avoir lu TOUTES les instructions de sécurité, d'utilisation et d'entretien figurant dans ce manuel.

Le non-respect des instructions peut entraîner des dommages matériels, des BLESSURES ou la MORT.

Les avertissements et les précautions discutés dans ce manuel ne peuvent pas couvrir toutes les conditions et situations possibles qui peuvent se produire. L'opérateur doit comprendre que le bon sens et la prudence sont des facteurs qui ne peuvent être intégrés à ce produit, mais qui doivent être fournis par l'opérateur.

MISE EN GARDE

NE PAS modifier le moteur et NE PAS utiliser le moteur pour un usage auquel il n'est pas destiné.

 **MISE EN GARDE**

Avant chaque utilisation, vérifiez l'absence de pièces desserrées ou endommagées, de signes de fuites d'huile ou de carburant, et de toute autre condition pouvant affecter le bon fonctionnement. Réparez ou remplacez immédiatement toutes les pièces endommagées ou défectueuses.

Localisez toutes les commandes de fonctionnement et les étiquettes de sécurité.

Maintenez toutes les protections de sécurité en place et en bon état de fonctionnement à tout moment.

NE laissez **PAS** un matériau quelconque bloquer les fentes de refroidissement.

NE PAS permettre aux enfants ou aux personnes non formées d'utiliser le moteur.

NE PAS faire fonctionner le moteur sans surveillance. Éteignez le moteur avant de quitter la zone.



 **MISE EN GARDE**

INCENDIE

L'utilisation de ce moteur peut créer des étincelles qui peuvent déclencher des incendies autour de la végétation sèche.

Ce moteur est équipé d'un silencieux pare-étincelles. Si le moteur doit être utilisé à proximité de matériaux inflammables ou sur un terrain couvert de matériaux tels que des cultures agricoles, des forêts, des broussailles, de l'herbe ou d'autres éléments similaires, un pare-étincelles de l'USDA Forest Service doit être installé.

Dans certaines régions, un pare-étincelles est exigé par la loi. Veuillez contacter les services d'incendie locaux pour connaître les lois ou règlements relatifs aux exigences en matière de prévention des incendies.

MISE EN GARDE

Lisez les instructions fournies avec l'équipement alimenté par ce moteur pour connaître toutes les règles de sécurité supplémentaires qui doivent être observées lors du démarrage, de l'arrêt et de l'utilisation du moteur, ou les vêtements de protection qui peuvent être nécessaires pour utiliser l'équipement.



MISE EN GARDE

SURFACE CHAUDE

Les moteurs en marche produisent de la chaleur et peuvent provoquer des brûlures graves en cas de contact.

NE TOUCHEZ PAS les surfaces chaudes pendant le fonctionnement du moteur ou juste après son arrêt. Évitez tout contact avec les gaz d'échappement chauds.

Maintenez un dégagement d'au moins trois pieds de tous les côtés pour assurer un refroidissement adéquat.

Les matériaux combustibles peuvent s'enflammer au contact. Maintenez un dégagement d'au moins cinq pieds par rapport aux matériaux combustibles.

MISE EN GARDE

Ne modifiez pas le régime du moteur.

Les vitesses de fonctionnement élevées sont dangereuses et augmentent le risque de blessures corporelles ou de dommages à l'équipement.

Le fonctionnement à faible vitesse avec une charge importante peut réduire la durée de vie du moteur.



DANGER

PIÈCES EN MOUVEMENT

Les pièces mobiles peuvent causer des blessures graves. Gardez les mains et les pieds à l'écart.

NE PAS faire fonctionner le moteur si les capots, les carénages ou les protections ont été retirés.

NE PAS porter de vêtements amples, de cordons pendants ou d'articles qui pourraient se coincer. Attachez les cheveux longs et enlevez les bijoux.

Ne **JAMAIS** placer les doigts, les mains ou le corps près du moteur lorsqu'il est en marche.



⚠ DANGER

INCENDIE OU EXPLOSION

L'essence est hautement inflammable et extrêmement explosive.

Un incendie ou une explosion peut provoquer de graves brûlures ou la mort.

Gardez les articles inflammables à l'écart lorsque vous manipulez de l'essence.

Remplissez le réservoir de carburant à l'extérieur et dans un endroit bien ventilé, moteur arrêté.

Essayez toujours le carburant renversé et attendez que le carburant ait séché avant de démarrer le moteur.

NE PAS faire fonctionner le moteur si le circuit de carburant présente des fuites connues.

Utilisez les procédures appropriées de stockage et de manipulation du carburant. **NE PAS** stocker de carburant ou d'autres matériaux inflammables à proximité.

Videz le réservoir de carburant avant de ranger ou de transporter ce moteur.

Gardez un extincteur à portée de main et soyez prêt si un incendie se déclare.



⚠ DANGER

FUMÉES TOXIQUES

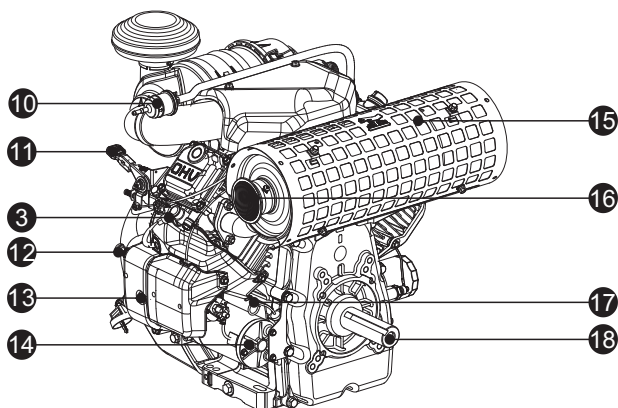
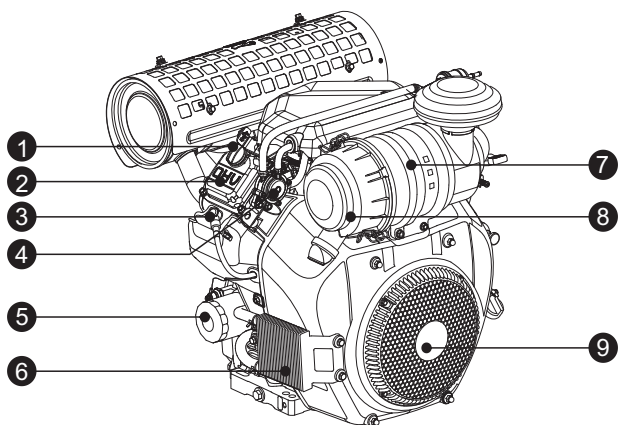
L'échappement du moteur contient du monoxyde de carbone, un gaz toxique inodore et incolore.

L'utilisation du moteur à l'intérieur peut vous tuer !

N'utilisez **JAMAIS** le moteur à l'intérieur d'un bâtiment ou d'une enceinte quelconque, **MÊME SI** les portes et les fenêtres sont ouvertes.

Placez le moteur dans un endroit bien ventilé et tenez compte des courants d'air et de vent lorsque vous positionnez le moteur.

II. Caractéristiques et commandes



- ① Bouchon de remplissage d'huile
- ② Cache-culasse
- ③ Bougie d'allumage
- ④ Pompe à carburant
- ⑤ Filtre à huile
- ⑥ Refroidisseur d'huile
- ⑦ Boîtier de filtre à air
- ⑧ Couverture du filtre à air
- ⑨ Écran statique
- ⑩ Filtre à carburant

- ⑪ Levier d'accélérateur
- ⑫ Commande de starter
- ⑬ Boîte de commande / Démarrage à clé / Commande de starter
- ⑭ Moteur de démarrage
- ⑮ Silencieux avec bouclier thermique
- ⑯ Orifice d'échappement / pare-étincelles
- ⑰ Jauge d'huile
- ⑱ Vilebrequin

III. Fonctionnement

1. Liste de contrôle du fonctionnement

1 Emplacement de fonctionnement

N'utilisez le moteur qu'à l'EXTÉRIEUR et placez-le dans un endroit bien ventilé en tenant compte des courants d'air et de vent.

Placez le moteur sur une surface plane avant toute opération.

Laissez trois pieds de dégagement de tous les côtés du moteur lorsque vous l'utilisez à l'extérieur.



⚠ DANGER

FUMÉES TOXIQUES

L'échappement du moteur contient du monoxyde de carbone, un gaz toxique inodore et incolore.

L'utilisation du moteur à l'intérieur peut vous tuer !

N'utilisez JAMAIS le moteur à l'intérieur d'un bâtiment ou d'une enceinte quelconque, MÊME SI les portes et les fenêtres sont ouvertes.

Haute altitude

Ce moteur peut nécessiter un kit de carburateur haute altitude pour assurer un fonctionnement correct à haute altitude.

Consultez votre revendeur local pour obtenir des informations sur le kit haute altitude si vous utilisez toujours votre moteur à des altitudes supérieures à 5.000 pieds (1.500 mètres).

⚠ ATTENTION

Même en modifiant le carburateur, la puissance du moteur diminuera d'environ 3,5 % pour chaque augmentation de 1.000 pieds (300 mètres) d'altitude. L'effet de l'altitude sur la puissance sera plus important si aucune modification n'est apportée au carburateur.

⚠ ATTENTION

L'utilisation du moteur à une altitude inférieure à 5.000 pieds (1.500 mètres) avec un carburateur modifié peut provoquer une surchauffe du moteur et l'endommager gravement.

2 État de fonctionnement

Vérifiez que les pièces ne sont pas desserrées ou endommagées, qu'il n'y a pas de signes de fuites d'huile ou de carburant, et toute autre condition qui pourrait affecter le bon fonctionnement. Réparez ou remplacez immédiatement

toutes les pièces endommagées ou défectueuses.

⚠ MISE EN GARDE

Si vous ne corrigez pas le ou les problèmes avant de mettre le moteur en marche, vous risquez de provoquer des dégâts matériels, des blessures graves ou la mort.

Enlevez toute saleté ou débris excessifs, en particulier autour du silencieux et de la protection statique.

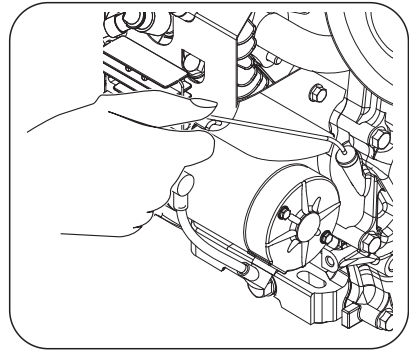
Consultez les instructions d'utilisation de l'équipement que ce moteur alimente. Ne faites pas fonctionner ce moteur en dépassant l'angle de fonctionnement maximum ; voir le tableau des spécifications. Le moteur pourrait être endommagé par une lubrification insuffisante.

3 Huile moteur

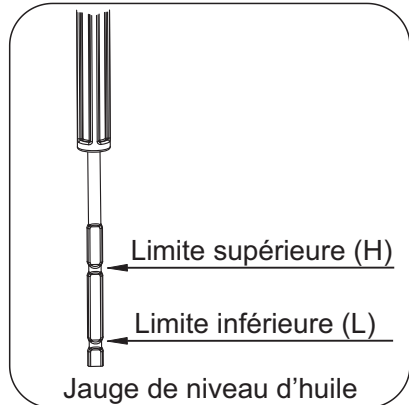
Placez le moteur sur une surface plane, moteur arrêté. Retirez la jauge et essuyez-la.

Retirez la jauge et essuyez-la.

Insérez la jauge dans le trou de la jauge.



Retirez à nouveau la jauge et vérifiez le niveau d'huile. Le niveau doit être au sommet de l'indicateur de la jauge.



Remplissez jusqu'à la limite supérieure (marquée d'un « H ») de la jauge avec l'huile recommandée si le niveau d'huile est bas.

Réinsérez la jauge dans l'orifice de la jauge.

Reportez-vous à l'instruction Ajouter de l'huile dans la section ENTRETIEN pour plus d'informations.

Capacité d'huile (nominale):
Voir le paramètre.

MISE EN GARDE

Ce moteur n'est pas rempli d'huile à l'usine. Toute tentative de mise en marche ou de démarrage du moteur avant qu'il n'ait été correctement rempli du type et de la quantité d'huile recommandés peut endommager le moteur et annuler votre garantie.

MISE EN GARDE

L'huile est un facteur important qui affecte les performances et la durée de vie du moteur. Utilisez de l'huile détergente automobile SAE 10W-30 API SG ou plus récente, comme recommandé dans la section MAINTENANCE de ce manuel.

ATTENTION

Ne faites tourner le moteur que sur une surface plane. Le moteur est équipé d'un capteur de niveau d'huile bas. L'unité s'arrêtera dans le cas où l'huile tombe en dessous du niveau approprié du carter du moteur. Pour éviter un arrêt inattendu, remplissez l'huile jusqu'à la limite supérieure et vérifiez le niveau d'huile avant chaque utilisation.

4 Carburant du moteur

Le moteur étant arrêté, vérifiez la jauge de niveau de carburant. Remplissez le réservoir de carburant (non fourni) si nécessaire.

ATTENTION

La pression peut s'accumuler dans le réservoir de carburant. Laissez le moteur refroidir pendant au moins deux minutes avant de retirer le bouchon du réservoir. Desserrez lentement le bouchon de carburant pour libérer toute pression dans le réservoir.

Utilisez de l'essence propre, fraîche et ordinaire sans plomb.

NE PAS mélanger l'huile avec l'essence. Veillez à ne pas remplir au-dessus du repère de limite supérieure. Laissez toujours de la place pour l'expansion du carburant.

N'utilisez **JAMAIS** de produits nettoyants pour moteur ou carburateur dans le réservoir de carburant, sous peine de provoquer des dommages permanents.

Il est important d'empêcher la formation de dépôts de gomme dans les pièces essentielles du système d'alimentation en carburant, telles que le carburateur, le filtre à carburant, le tuyau d'alimentation en carburant ou le réservoir pendant le stockage. De plus, l'expérience indique que les carburants à base d'alcool (appelés gasohol, éthanol ou méthanol) peuvent attirer l'humidité, ce qui entraîne la séparation et la formation d'acides pendant le stockage.

Le carburant acide peut endommager le système d'alimentation d'un moteur pendant le stockage. Veillez à consulter les instructions données dans le chapitre « Stockage ».



⚠ DANGER

INCENDIE OU EXPLOSION

L'essence est hautement inflammable et extrêmement explosive.

Un incendie ou une explosion peut provoquer de graves brûlures ou la mort.

Gardez les articles inflammables à l'écart lorsque vous manipulez de l'essence.

Remplissez le réservoir de carburant à l'extérieur et dans un endroit bien ventilé, moteur arrêté.

Essuyez toujours le carburant renversé et attendez que le carburant ait séché avant de démarrer le moteur.

NE PAS faire fonctionner le moteur si le circuit de carburant présente des fuites connues.

Utilisez les procédures appropriées de stockage et de manipulation du carburant. **NE PAS** stocker de carburant ou d'autres matériaux inflammables à proximité.

Videz le réservoir de carburant avant de ranger ou de transporter ce moteur.

Gardez un extincteur à portée de main et soyez prêt si un incendie se déclare.

ATTENTION

Pour minimiser les dépôts de gomme dans votre système d'alimentation et pour assurer un démarrage facile, n'utilisez pas d'essence restante de la saison précédente.

5 Contrôle de l'équipement

Vérifiez l'équipement alimenté par ce moteur. Examinez les instructions fournies par le fabricant de l'équipement pour connaître les précautions et procédures à suivre avant de démarrer le moteur.

MISE EN GARDE

Ce moteur est conçu et fabriqué pour des applications spécifiques. N'essayez pas de modifier l'équipement ou de l'utiliser pour une application pour laquelle il n'a pas été conçu. Si vous avez des questions sur une application spécifique, demandez à votre concessionnaire local.

2. Démarrage du moteur

1

Effectuez la liste de contrôle de fonctionnement.

2

La position de démarrage du starter varie en fonction de la température du moteur. Pour démarrer un moteur froid, tirez le starter à fond sur la position "CLOSED". Si vous démarrez un moteur chaud, placez le starter à mi-chemin entre "OPEN" et "CLOSED".

Placez la manette des gaz en position « RAPIDE » (si le véhicule en est équipé). Tournez le robinet de carburant sur « MARCHE » ou « OUVERT » (si le véhicule en est équipé).

3

Tournez la clé au-delà de la position « MARCHE » jusqu'à la position « DEMARRER ». Une fois que le moteur a démarré, relâchez la clé pour qu'elle revienne à la position « MARCHE ».

Si le démarreur ne démarre pas le moteur, ne continuez pas à le faire tourner, car le démarreur pourrait être endommagé.

ATTENTION

N'essayez pas de faire tourner le moteur en continu pendant plus de cinq secondes à la fois. Si le moteur ne démarre pas, laissez le démarreur refroidir pendant une minute avant d'essayer de le redémarrer. Si vous essayez continuellement de démarrer le moteur, vous endommagerez le démarreur.

ATTENTION

Si le moteur ne démarre pas après trois tentatives, vérifiez que le moteur est sur une surface plane et que le niveau d'huile est maintenu au bon niveau. Vérifiez que le robinet de carburant est ouvert (si le véhicule en est équipé).

Le moteur est équipé d'un capteur de niveau d'huile bas ; un niveau d'huile bas empêchera le moteur de démarrer.

Vérifiez régulièrement le niveau d'huile avant chaque utilisation du moteur.

Si le moteur ne démarre pas, laissez-le s'arrêter de tourner avant de tenter de le redémarrer. Si vous essayez de démarrer le moteur alors que le volant tourne encore, vous risquez d'endommager le pignon du démarreur.

4

Sur les moteurs froids, tirez le starter à fond en position "CLOSED". Si vous démarrez un moteur chaud, placez le starter à mi-chemin entre "OPEN" et "CLOSED".

ATTENTION

Tirez le starter en position "CLOSED". La position de démarrage du starter varie en fonction de la température du moteur. Si vous démarrez un moteur froid, tirez le starter vers la position "CLOSED". Si vous démarrez un moteur chaud, poussez le starter vers la position "OPEN".

5

Laissez le moteur chauffer 1 à 2 minutes avant d'utiliser ce produit.

Réglage du régime moteur

1

Utilisez la manette des gaz (si le véhicule en est équipé) pour régler le régime du moteur en fonction des exigences de votre application.

2

Si vous avez des questions sur l'utilisation de ce moteur pour une application spécifique, veuillez consulter le manuel d'utilisation du produit et/ou contacter votre concessionnaire agréé local pour obtenir de l'aide.

3. L'ARRÊT DU MOTEUR

1

Si vous devez arrêter le moteur en cas d'urgence, tournez simplement la clé sur « ARRET ». Pour un arrêt normal, mettez d'abord la manette des gaz sur « LENT » (si la machine en est équipée). Laissez le moteur ralentir puis tournez la clé sur « ARRET ». Si votre système de carburant est équipé d'une vanne, mettez-la sur « ARRET » ou « FERME ».

2

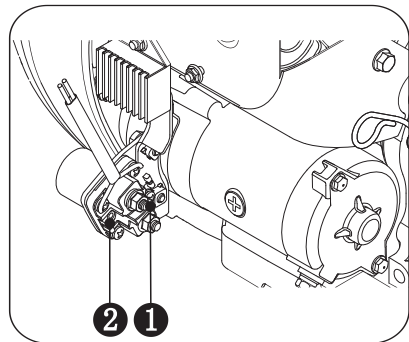
Si le moteur émet un bruit anormal, des vibrations importantes, des bruits de fonctionnement, des claquements ou toute autre condition anormale pendant qu'il tourne, mettez la clé sur « ARRET » avant de le dépanner.

4. Application des bornes

Le démarreur du moteur nécessite que le système électrique soit démarré ou alimenté par une batterie de 12 volts (V) d'une capacité minimale de 21 ampères-heures (Ah). Le fil positif (+) de la batterie se connecte à la borne positive du relais du démarreur. Connectez le fil négatif (-) de la batterie à un boulon de montage du moteur, au cadre conducteur supportant le moteur ou à tout autre point de mise à la terre du moteur.

⚠ ATTENTION

NE PAS connecter le fil négatif (-) de la batterie à la base de montage du filtre à huile ou à toute autre partie du circuit de carburant.



- 1** Borne positive
- 2** Connecteur de relais

5. Après chaque utilisation

Si le moteur ne doit pas être utilisé pendant une période de deux mois ou plus, vidangez le circuit de carburant dans un récipient homologué. Stockez le moteur dans un endroit frais et sec.

- Débranchez le câble noir négatif (-) de la batterie.
- Voir section VI, Stockage et transport.

IV. Maintenance

Il incombe au propriétaire/opérateur d'effectuer tous les entretiens prévus dans les délais impartis. Corrigez tout problème avant d'utiliser le moteur. Suivez toujours les recommandations et les calendriers d'inspection et d'entretien figurant dans ce manuel.



Les démarrages accidentels peuvent provoquer des blessures graves ou la mort. Avant de procéder à l'entretien, débranchez le fil négatif (-) de la batterie et débranchez les deux fils de la bougie.

Avant de procéder à l'entretien, débranchez le fil négatif (-) de la batterie et débranchez les deux fils de la bougie. Laissez le moteur refroidir s'il est chaud.

ADVERTENCIA

Un entretien inadéquat ou le fait de ne pas corriger un problème avant l'utilisation peut causer un mauvais fonctionnement et entraîner des dommages matériels, des blessures graves ou la MORT.

Un entretien incorrect annulera votre garantie.

1. Calendrier d'entretien

Respectez les intervalles d'entretien indiqués dans le tableau ci-dessous. Entretenez votre moteur plus fréquemment s'il est utilisé dans des conditions difficiles. Contactez votre revendeur local pour l'entretien de votre moteur.

		Chaque fois avant l'utilisation	Le premier mois ou 10 heures ^{Nota 2}	Tous les trois mois ou 25 heures ^{Nota 2}	Tous les 6 mois ou 50 heures ^{Nota 2}	Tous les ans ou 100 heures ^{Nota 2}	Tous les ans ou 200 heures ^{Nota 2}
Huile moteur	Inspection	✓					
	Remplacement				✓		
Filtre à air	Inspection	✓					
	Nettoyage			✓			
Bougie d'allumage	Inspection et réglage				✓		
	Remplacement						✓
Pare-étincelles ^{Nota 1}	Nettoyage					✓	
Filtre fin à huile	Remplacement						✓
Filtre à carburant	Remplacement					✓	
Vitesse de ralenti	Inspection et réglage					✓	
Dégagement de la soupape	Inspection et réglage					✓	
Cartouche de charbon ^{Nota 1}	Inspection	Tous les deux ans ^{Nota 4}					
Tube d'huile à faible perméabilité ^{Nota 1}	Inspection	Tous les deux ans ^{Nota 4}					
Tube à huile	Inspection	Tous les deux ans ^{Nota 4}					

Remarque 1: Types applicables.

Remarque 2: Avant chaque saison, respectez ensuite l'intervalle d'entretien prescrit.

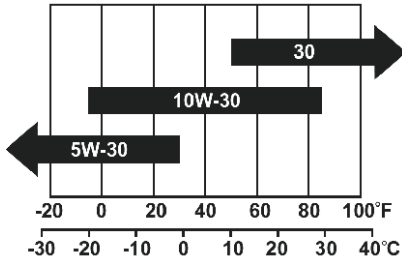
Remarque 3: Effectuez un entretien plus fréquent lorsque vous utilisez le moteur dans des conditions difficiles, poussiéreuses et/ou sales.

Remarque 4: A effectuer par des propriétaires expérimentés et compétents ou par le concessionnaire agréé.

2. Entretien général

Huile moteur

L'huile détergente automobile SAE 10W-30 API SG ou plus récente est recommandée pour une utilisation générale à toutes températures. Les autres viscosités indiquées dans le tableau peuvent être utilisées lorsque la température moyenne de votre région se situe dans la plage indiquée.

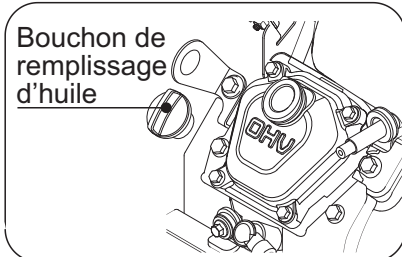


TEMPÉRATURE AMBIANTE

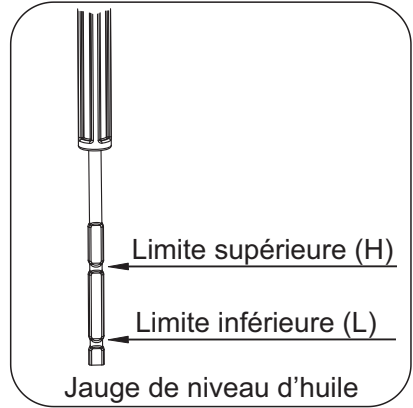
Capacité d'huile (nominale):
Voir le paramètre.

Ajoutez de l'huile

1. Placez le moteur sur une surface plane.
2. Retirez le bouchon de remplissage d'huile.
Remplissez avec de l'huile du type recommandé.



3. Retirez la jauge et vérifiez le volume de remplissage d'huile qui doit se trouver à la limite supérieure de l'échelle (point H).



4. Insérez complètement la jauge dans le trou de la jauge pendant le contrôle.

Changement d'huile

ATTENTION

Changez l'huile lorsque le moteur est chaud après le fonctionnement.

Pour changer l'huile, il est recommandé de laisser tourner le moteur pendant quelques minutes pour réchauffer l'huile. Cela permettra à l'huile usagée de se vider complètement du moteur.

1. Placez un récipient approprié sous le boulon de vidange d'huile. Retirez le bouchon de remplissage d'huile. Ensuite, à l'aide d'une clé, desserrez le boulon de vidange dans le sens inverse des aiguilles d'une montre. Une fois qu'il est desserré, dévissez complètement le boulon avec vos doigts en le retirant ainsi que le joint du boulon.

2. Lorsque l'huile est complètement égouttée, inspectez le joint du boulon de vidange pour vous assurer qu'il n'est pas endommagé ; remplacer si nécessaire. Visser à la main le boulon de vidange. À l'aide d'une clé, serrer jusqu'à ce qu'il soit bien ajusté.

3. En veillant à ce que le moteur soit sur une surface plane, utilisez la qualité d'huile recommandée pour remplir le moteur jusqu'à la limite supérieure de la jauge. Ne remplissez pas trop.

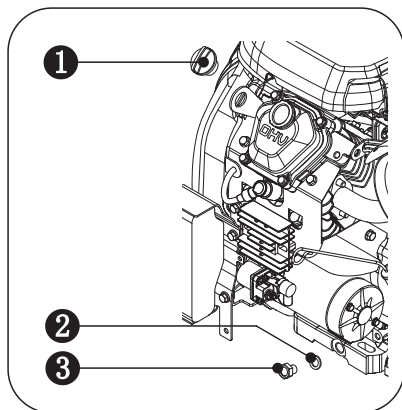
4. Remettez et serrez le bouchon de remplissage d'huile.

⚠ DANGER

Le moteur n'est pas rempli d'huile à l'usine. Toute opération avant qu'il n'ait été correctement rempli avec le type et la quantité d'huile recommandés peut entraîner des dommages au moteur et annuler votre garantie.

Nettoyez rapidement toute huile renversée sur le moteur ou sur la zone environnante. Nettoyez vos mains avec du savon et de l'eau chaude.

Ne jetez l'huile usagée que chez un recycleur d'huile usagée local.



- ① Bouchon de remplissage d'huile
- ② Joint du boulon de vidange
- ③ Boulon de vidange

Remplacement du filtre à huile

Vidangez l'huile, puis resserrez le boulon de vidange.

1. À l'aide d'une clé de démontage du filtre à huile, desserrez le filtre et retirez-le. Versez l'huile contenue dans le filtre dans le bac d'huile usagée.

2. Nettoyez l'huile usée ou les débris de l'orifice du filtre à huile. Avec de l'huile fraîche, lubrifiez le joint du nouveau filtre à huile.

3. Serrez le filtre à la main ou selon les instructions du filtre.

4. En veillant à ce que le moteur soit sur une surface plane, utilisez la qualité d'huile recommandée pour remplir le moteur jusqu'à la limite supérieure de la jauge. Ne remplissez pas trop.

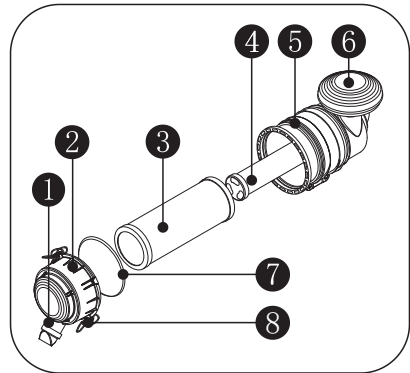
5. Démarrez le moteur et vérifiez l'absence de fuites d'huile.

6. Arrêtez le moteur, puis retirez la jauge et vérifiez si le niveau d'huile se situe dans la plage spécifiée. Si le niveau d'huile est trop bas, il est nécessaire de remplir l'huile jusqu'à l'échelle prédéterminée.

ATTENTION

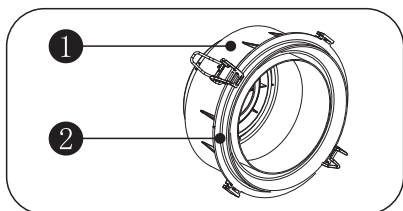
L'élément du filtre à air et le récipient du filtre peuvent contenir des hydrocarbures aromatiques polycycliques (PAHs). Certains PAHs peuvent causer le cancer. Pour éviter toute exposition aux PAHs, portez des gants lors de l'entretien du filtre à air.

Filtre à air



- ① Soupape à débris
- ② Couvercle du filtre à air
- ③ Filtre grossier
- ④ Filtre fin
- ⑤ Boîtier de filtre à air
- ⑥ Couvercle d'admission d'air
- ⑦ Joint en caoutchouc
- ⑧ Clip de retenue

1. Nettoyez la zone autour du filtre à air.
2. Décrochez les clips de retenue et retirez le couvercle.
3. Retirez l'élément filtrant grossier et l'élément filtrant fin.
4. Vérifiez l'état du joint en caoutchouc et remplacez-le si nécessaire.



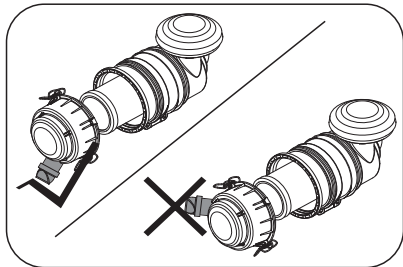
- ① Couvercle du filtre à air
- ② Joint en caoutchouc

5. Nettoyage des éléments filtrants : tapotez doucement les éléments filtrants pour éliminer les débris. Ne nettoyez pas les éléments filtrants en papier avec des brosses, de l'air comprimé, etc. Les filtres fortement encrassés doivent être remplacés par des éléments neufs.

6. Placez les éléments filtrants dans le corps du filtre.

7. Avec la soupape à débris pointant vers le bas, placez le couvercle du filtre à air sur le corps du filtre. Enclenchez les clips de fixation en position verrouillée.

REMARQUE : La soupape à débris sur le couvercle du filtre doit pointer vers le bas.



⚠ ATTENTION

Le filtre à air est un composant critique lié aux émissions et ne doit pas être altéré ou modifié de quelque façon que ce soit.

L'utilisation du moteur avec des composants du filtre à air desserrés ou endommagés peut entraîner l'usure et la défaillance du moteur, et invalider votre garantie.

L'élément en papier ne peut pas être soufflé à l'air comprimé.

⚠ MISE EN GARDE

Ne faites pas tourner le moteur lorsque l'élément en papier n'est pas installé, sous peine d'endommager le moteur.

⚠ DANGER

N'utilisez jamais d'essence ou de solvant inflammable pour nettoyer le boîtier du filtre. L'utilisation de tout agent inflammable peut provoquer une explosion.

Bougie d'allumage

1. Bougie d'allumage recommandée: F6RTC.
Remplacez bougies d'allumage par paires.

2. L'utilisation d'un modèle de bougie non recommandé peut endommager le moteur.

3. Enlevez la saleté du capuchon et du fond de la bougie.

4. Enlevez le bouchon de la bougie d'allumage.

5. Utilisez une clé à bougie ou une douille de la taille appropriée pour desserrer les bougies en vue de leur dépose ou de leur repose.

6. Inspectez la bougie et la rondelle de la bougie.
Remplacez la bougie si elle ou la rondelle sont endommagées.

ATTENTION

Remplacez toujours deux bougies d'allumage en même temps.

7. Vérifiez l'écartement de la bougie d'allumage. Pliez délicatement l'électrode latérale pour ajuster l'écartement si nécessaire.

Écart de la bougie d'allumage:
0.024 – 0.031" (0.6 – 0.8mm)

0.024 – 0.031"
(0.6 – 0.8mm)



Vérifiez l'écartement de la bougie d'allumage

8. Enfoncez soigneusement la bougie dans le moteur à la main.

9. Une fois la bougie en place, utilisez une clé à bougie pour la serrer.

Couple de serrage de la bougie d'allumage: 15-18 ft.lb.(20 - 25 N.m)

10. Fixez le fil de la bougie à la bougie.

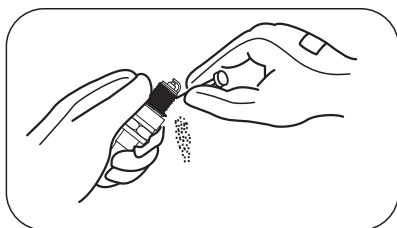
MISE EN GARDE

Utilisez uniquement la bougie d'allumage recommandée ou un équivalent. N'utilisez PAS de bougies dont la plage de température n'est pas appropriée.

Les bougies d'allumage doivent être serrées au couple approprié. Une ou plusieurs bougies desserrées provoquent des fuites de

compression qui entraînent des difficultés de démarrage et une diminution de la puissance du moteur.

Pour assurer le bon fonctionnement du moteur, l'écartement de la bougie doit être maintenu et être exempt de dépôts. Nettoyez la bougie d'allumage en suivant les étapes indiquées ci-dessous.



a) Retirer la bougie d'allumage

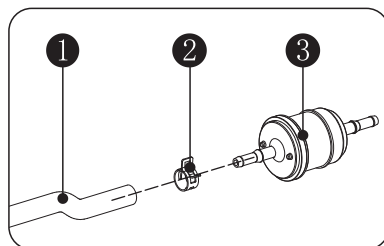
b) De légers dépôts sur les électrodes peuvent être nettoyés avec une brosse métallique. Remplacez la bougie si elle est très encrassée. Une bougie qui semble humide, huileuse ou dont les électrodes sont très usées indique que le moteur doit être réparé par un technicien spécialisé dans les petits moteurs.

Pare-étincelles

(Types applicables)

1. Laissez le moteur refroidir complètement avant de procéder à l'entretien du pare-étincelles.
2. Retirez les deux vis qui maintiennent la plaque de recouvrement qui retient l'extrémité du pare-étincelles au silencieux.
3. Retirez l'écran du pare-étincelles.
4. Enlevez soigneusement les dépôts de carbone de l'écran du pare-étincelles avec une brosse métallique.

Remplacement du filtre à carburant



- ① Tuyau de carburant
- ② Clip
- ③ Filtre à carburant

1. À l'aide de pinces, desserrez le clip.

2. Réinstallez le clip avec une pince.

V. Analyse et résolution des problèmes

Phénomène	Problèmes	Solutions
Le moteur ne démarre pas	L'interrupteur du moteur est éteint.	Mettez l'interrupteur du moteur en position ON.
	Il n'y a pas de carburant	Remplissez le réservoir selon les instructions de ce manuel.
	L'huile moteur est insuffisante.	Vérifiez le niveau d'huile. Ce moteur est équipé d'un capteur de niveau d'huile. Le moteur ne peut être démarré que si le niveau d'huile est supérieur à la limite inférieure prescrite.
	Il n'y a pas d'allumage	À l'aide d'un testeur d'étincelle externe, assurez-vous que les deux cylindres ont une étincelle appropriée. Si l'étincelle est faible ou absente d'un ou des deux cylindres, contactez votre revendeur local agréé.
	Le filtre à carburant est bouché.	Remplacez le filtre à carburant par un nouveau filtre.
	Le starter est ouvert	Fermez le starter puis répétez le processus de démarrage.

Si votre moteur ne fonctionne pas correctement ou si des pièces sont manquantes ou cassées, NE LE RENVOYEZ PAS A L'ENDROIT OU VOUS L'AVEZ ACHETE. Contactez notre service à la clientèle au 1-833-279-3646 ou CRXservice@Fna-Group.com.

VI. Stockage et transport

Stockage

NE PAS mélanger l'huile avec l'essence. Le moteur doit être démarré au moins une fois toutes les 2 semaines et laissé tourner pendant au moins 20 minutes. Suivez les instructions ci-dessous pour un stockage à plus long terme si le moteur a été hors service pendant 2 mois ou plus.



⚠ DANGER

Incendie ou explosion

L'essence est hautement inflammable et extrêmement explosive. Videz le réservoir de carburant et fermez le robinet de carburant avant de stocker ou de transporter ce moteur.

1. Laissez refroidir un moteur chaud.
2. Changez l'huile pendant que le moteur est chaud.
3. Vidanger complètement tout le carburant du réservoir de carburant, du tuyau de carburant, du filtre à carburant et du carburateur. Éliminez correctement le carburant/l'huile usés.
4. Retirez les deux bougies d'allumage et versez 1 oz d'huile moteur dans les cylindres. Réinstallez les

bougies mais ne connectez pas les fils d'allumage. Faites tourner le moteur pendant une seconde en tournant la clé sur « DEMARRER ». Connectez les fils d'allumage.

5. Débranchez le fil négatif (-) de la batterie. Essuyez le moteur de toute saleté et de tout débris.

6. Rangez l'appareil dans un endroit propre et sec, à l'abri de la lumière directe du soleil.

Transport

Pour éviter tout déversement de carburant lors du transport ou du stockage temporaire, le moteur doit être fixé à la verticale dans sa position normale de fonctionnement, avec l'interrupteur du moteur sur ARRET.

Tournez le robinet de carburant sur « ARRET » ou « FERME » (si la machine en est équipée).

⚠ MISE EN GARDE

Lors du transport:

Ne remplissez pas trop le réservoir.

Évitez un endroit exposé à la lumière directe du soleil lorsque vous mettez le moteur sur un véhicule. Si le moteur est laissé dans un véhicule fermé pendant de

nombreuses heures, la température élevée à

l'intérieur du véhicule peut provoquer la vaporisation du carburant, ce qui peut entraîner une explosion.

Ne conduisez pas sur une route accidentée pendant une période prolongée avec le moteur à bord. Si vous devez transporter le moteur sur une route accidentée, vidangez le carburant du moteur au préalable.

 **ATTENTION**

Veillez à ne pas faire tomber ou heurter le moteur lors du transport. Ne placez pas d'objets lourds sur le moteur.

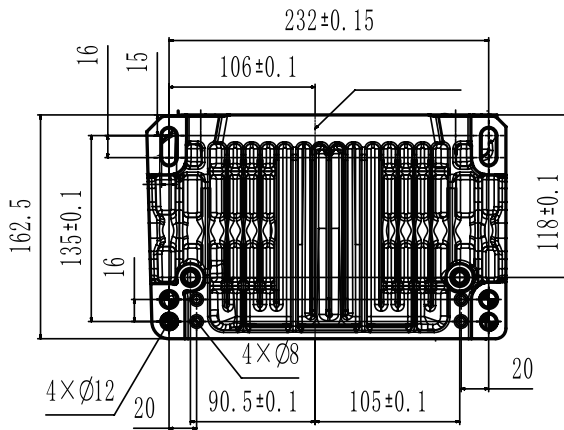
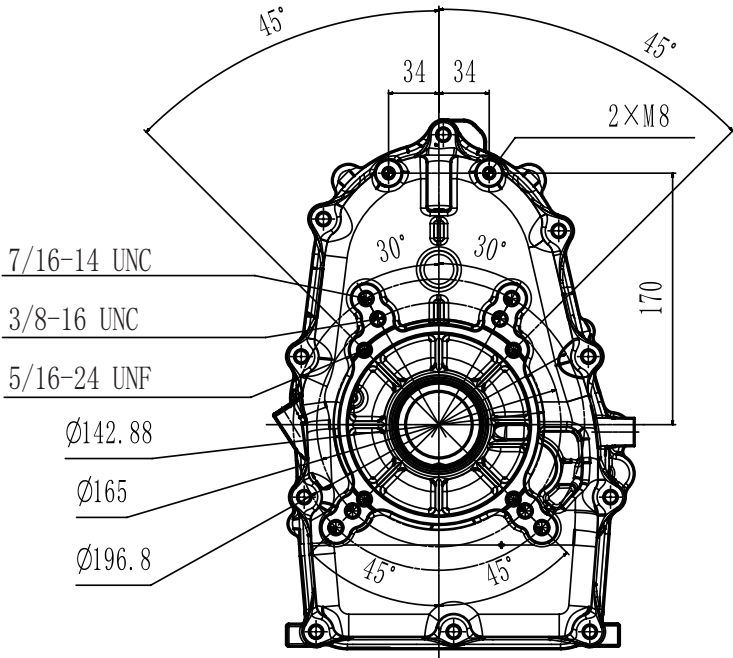
VII.Spécifications

1.Specification Parameter Table

Catégorie	Article	CRX1000	
Paramètres Structures Principale	Type	Valve supérieure	
	Nombre de cylindres		
	Diamètre du piston (mm)	90	
	Course du piston (mm)	78.5	
	Cylindrée totale (cm ³)	999	
	Rapport de compression	9.0:1	
	Puissance nominale (kW) nette	CI 24.0/3600 per SAE J1349 Net Power	
	Direction de rotation	Sens antihoraire (en regardant la PTO)	
	Angle d'avance à l'allumage (°)	30°±2°	
	Jeu des soupapes	Jeu des soupapes d'admission	0.004 – 0.006" (0.10 – 0.15mm)
		Jeu des soupapes d'échappement	0.006 – 0.008" (0.15 – 0.20mm)
	Ecart de la bougie d'allumage	0.024 – 0.031" (0.6 – 0.8mm)	
Carburant et huile	Huile	SAE 10W-30 API SG ou plus récent	
	Carburant	Gaz ordinaire	
	Capacité en carburant (L)	/	
	Capacité en huile (L)	2.5	
Dimensionet masse	Dimension (Longueur× Largeur×Hauteur)	20.08 x 23.54 x 22.48" (510 x 598 x 571mm)	
	Masse nette	136.7lbs (62kg)	

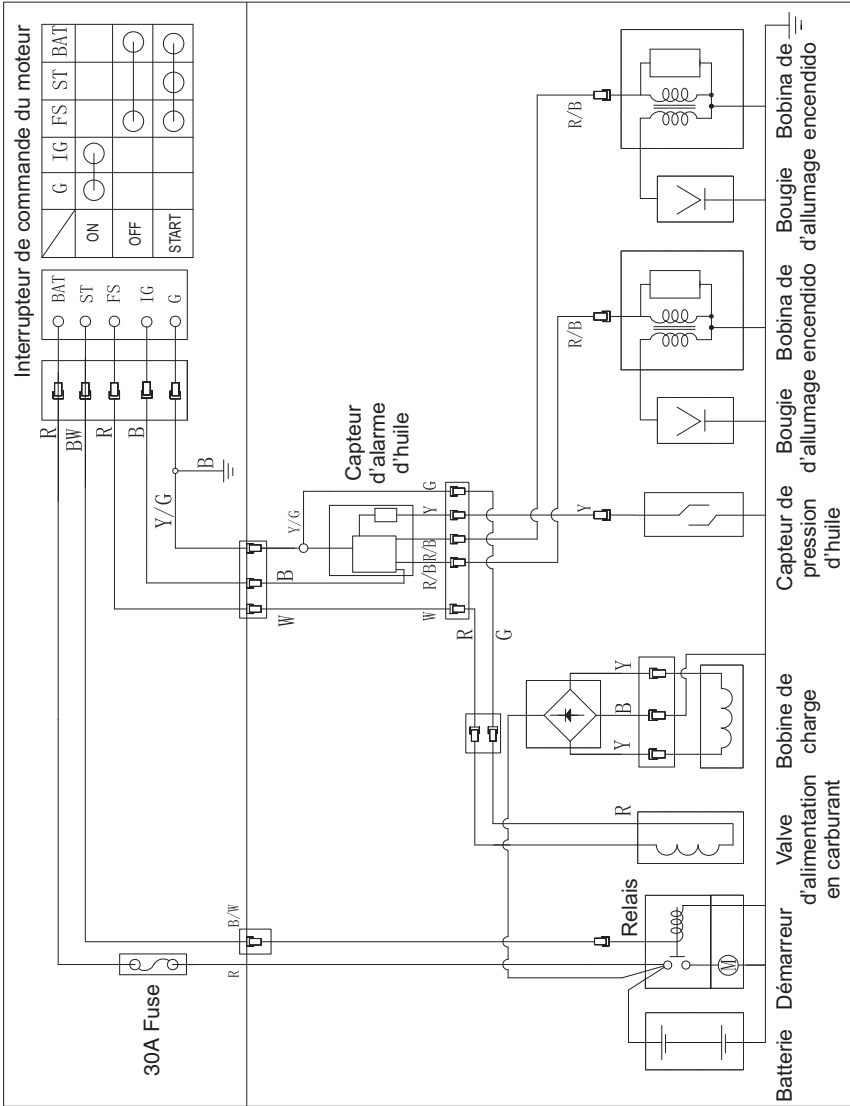
Remarque : les données relatives au moteur peuvent être mises à jour à tout moment sans préavis ni obligation. Veuillez contacter votre concessionnaire agréé local pour obtenir des informations sur le moteur.

2. Installation du couvercle du boîtier



3. Schéma électrique du moteur

Schéma électrique de la CRX1000



3 GARANTIE COMMERCIALE LIMITÉE D'UN AN

CONDITIONS DE COUVERTURE DE LA GARANTIE :

Le fabricant de ce produit accepte de réparer ou de remplacer les pièces désignées qui s'avèrent défectueuses pendant la période de garantie indiquée ci-dessous, la seule discrétion du fabricant. Des limitations/extensions et exclusions spécifiques s'appliquent.

La présente garantie ne couvre que les défaillances liées aux matériaux et la fabrication et non les défaillances de pièces dues à l'usure normale, la dépréciation, l'abus, aux dommages accidentels dus à la détérioration chimique, l'accumulation de tartre, la corrosion par la rouille ou la dilatation thermique, la négligence, une utilisation ou un entretien inadéquats, la qualité de l'eau ou au stockage. Pour faire une réclamation selon les termes de la garantie, toutes les pièces dites défectueuses doivent être conservées et disponibles pour être retournées sur demande à un centre de service de garantie désigné pour une inspection de garantie. Les jugements et décisions du fabricant concernant la validité des demandes de garantie sont définitifs.

Ces garanties sont transférées à l'utilisateur final et ne sont pas transférables. En tant que centre de service de garantie autorisé et formé par l'usine, l'usine honorera les termes de toutes les garanties des composants et satisfera les réclamations des dispositions de garantie appropriées.

Les éléments d'usure normale comprennent, sans s'y limiter, les bougies d'allumage, les réglages du carburateur, les réglages de l'allumage, les filtres, les vidanges d'huile, les câbles de démarreur, les balais de moteur électrique, les goupilles fendues, les joints d'étanchéité, les soupapes, les pistons ou toute autre pièce considérée comme élément d'usure, qui ne sont pas couverts par cette garantie. La garantie qui précède est exclusive et remplace toutes les autres garanties, qu'elles soient écrites, orales, explicites ou implicites. Il n'existe aucune garantie de qualité marchande ou d'adéquation d'un produit un usage particulier. La seule responsabilité de FNA Group sera la réparation ou le remplacement des pièces comme indiqué ci-dessus. Le Groupe FNA ne peut en aucun cas être tenu responsable de pertes ou de dommages indirects, consécutifs, punitifs, spéciaux, exemplaires, ou de pertes économiques, commerciales, de pertes de revenus, de pertes de bénéfices ou d'opportunités commerciales, que cette responsabilité soit basée sur une rupture de contrat, un délit, une responsabilité stricte, une rupture de garantie, un manquement à un objectif essentiel ou autre, ou qu'elle soit le résultat direct des actions ou inactions du Groupe FNA, tant donné que certains faits ne permettent pas de limiter la durée d'une garantie implicite, la limitation ci-dessus peut ne pas s'appliquer.

Le Groupe FNA n'assume aucune responsabilité pour les dommages accessoires, indirects ou autres, y compris, mais sans s'y limiter, les dépenses liées au transport du produit vers ou depuis un service agréé, le temps de déplacement d'un mécanicien, les frais de téléphone ou de communication, la location d'un produit similaire pendant que le service de garantie est effectué, tout autre temps ou dépenses de déplacement, la perte ou les dommages aux biens personnels, la perte de revenus, la perte d'utilisation du produit, la perte de temps ou tout autre inconvénient. Dans certains cas, l'exclusion ou la limitation des dommages accessoires ou indirects n'est pas autorisée, de sorte que la limitation ou l'exclusion ci-dessus peut ne pas s'appliquer à votre cas.

Cette garantie remplace toutes les autres garanties, expresses ou implicites, y compris, mais sans s'y limiter, les garanties de qualité marchande ou d'adéquation à un usage particulier, et toutes ces garanties sont par la présente rejetées et exclues par le fabricant. L'obligation de garantie du fabricant se limite à la réparation et au remplacement des produits défectueux, comme prévu dans le présent document, et le fabricant ne peut être tenu responsable de toute autre perte, de tout autre dommage ou de toute autre dépense - y compris les dommages résultant de l'expédition, d'un accident, d'un abus, d'une catastrophe naturelle, d'une mauvaise utilisation ou d'une négligence. Il en va de même pour les dommages résultant de réparations effectuées avec des pièces non achetées auprès du fabricant ou de modifications effectuées par du personnel non autorisé par le fabricant. Le fait de ne pas installer et utiliser l'équipement conformément aux directives énoncées dans le manuel d'instructions annule la garantie.

RESPONSABILITÉ DE L'ACHETEUR D'ORIGINE (UTILISATEUR INITIAL) :

Pour traiter une demande de garantie, signalez le problème au 1-833-279-3646 ou à CRXservice@Fna-Group.com pour obtenir une autorisation et être dirigé vers le centre de service autorisé le plus proche de votre région.

Conservez le ticket de caisse original comme preuve d'achat pour les travaux sous garantie.

Faites preuve d'un soin raisonnable dans l'utilisation et l'entretien du produit, comme décrit dans le(s) manuel(s) d'utilisation.

DÉCLARATION DE GARANTIE DE CONTRÔLE DES ÉMISSIONS FÉDÉRALES VOS DROITS ET OBLIGATIONS EN MATIÈRE DE GARANTIE

L'Agence de protection de l'environnement des États-Unis (EPA) et FNA Group (FNA) ont le plaisir d'expliquer la garantie du système de contrôle des émissions de gaz d'échappement de votre 2024 petit moteur non routier (SORE). Les nouveaux équipements qui utilisent de petits moteurs non routiers doivent être conçus, construits et équipés pour répondre aux normes anti-smog strictes de l'État. FNA doit garantir le système de contrôle des émissions de gaz d'échappement de votre SORE pour les périodes de temps indiquées ci-dessous, à condition qu'il n'y ait pas eu d'abus, de négligence ou d'entretien inadéquat de votre moteur entraînant la défaillance du système de contrôle des émissions d'échappement.

Votre système de contrôle des émissions d'échappement peut comprendre des pièces telles que les carburateurs ou le système d'injection de carburant, le système d'allumage et le convertisseur catalytique. Il peut également comprendre des tuyaux, des courroies, des connecteurs et d'autres assemblages liés aux émissions.

Lorsqu'une condition justifiable existe, FNA réparera votre SORE sans frais pour vous, y compris le diagnostic, les pièces et la main-d'œuvre.

COUVERTURE DE LA GARANTIE DU FABRICANT:

Le système de contrôle des émissions d'échappement de votre SORE est garanti pendant deux ans. Si une pièce du système d'échappement de votre SORE est défectueuse, la pièce sera réparée ou remplacée par FNA.

RESPONSABILITÉS DU PROPRIÉTAIRE EN MATIÈRE DE GARANTIE:

En tant que propriétaire d'une SORE, vous êtes responsable de l'exécution de l'entretien requis indiqué dans votre manuel du propriétaire. FNA vous recommande de conserver tous les reçus couvrant l'entretien de votre SORE, mais FNA ne peut pas refuser la couverture de la garantie uniquement pour le manque de reçus ou pour votre manquement à assurer l'exécution de tous les entretiens prévus.

En tant que propriétaire de votre SORE, vous devez cependant être conscient que FNA peut refuser votre couverture de garantie si votre SORE ou une pièce a échoué à cause d'un abus, d'une négligence, d'un entretien incorrect ou de modifications non approuvées.

Vous êtes responsable de présenter votre SORE à un centre de distribution ou à un centre de service FNA dès que le problème existe. Les réparations sous garantie doivent être effectuées dans un délai raisonnable, ne dépassant pas 30 jours.

Si vous avez des questions concernant vos droits et responsabilités en matière de garantie, vous devez contacter **FNA Group** au **1-833-279-3646** ou envoyer à **CRXservice@Fna-Group.com**.

CONDITIONS DE GARANTIE DES DÉFAUTS:

(a) Champ d'application. La présente section s'applique aux systèmes de contrôle des émissions de gaz d'échappement des petits moteurs non routiers soumis aux normes d'émissions du présent article. La période de garantie commence à la date à laquelle le moteur est livré à un acheteur final.

(b) Couverture de la garantie générale des émissions de gaz d'échappement. Le moteur doit être garanti à l'acheteur final et à tout propriétaire ultérieur que le système de contrôle des émissions de gaz d'échappement, lorsqu'il a été installé, était:

(1) Conçu, construit et équipé de manière à être conforme à tous les règlements applicables ; et

(2) Exempt de défauts de matériaux et de fabrication entraînant la défaillance d'une pièce garantie pendant une période de deux ans.

(c) La garantie sur les pièces liées aux émissions de gaz d'échappement sera interprétée comme suit:

- (1) Toute pièce garantie dont le remplacement n'est pas prévu comme entretien obligatoire dans les instructions écrites fournies avec chaque nouveau moteur doit être garantie pendant la période de garantie définie au paragraphe (b)(2). Si une telle pièce tombe en panne pendant la période de couverture de la garantie, elle doit être réparée ou remplacée par FNA conformément au paragraphe (4) ci-dessous. Toute pièce réparée ou remplacée dans le cadre de la garantie doit être garantie pour une durée au moins égale à la période de garantie restante.
- (2) Toute pièce garantie dont l'inspection régulière est prévue dans les instructions écrites fournies avec chaque nouveau moteur doit être garantie pendant la période de garantie définie au paragraphe (b)(2). Une déclaration dans ces instructions écrites, du type « réparer ou remplacer si nécessaire », doit informer les propriétaires de la couverture de la garantie pour les pièces liées aux émissions de gaz d'échappement. Le remplacement pendant la période de garantie est couvert par la garantie et ne réduira pas la période de couverture de la garantie. Toute pièce réparée ou remplacée sous garantie doit être garantie pour une durée au moins égale à la période de garantie restante.
- (3) Toute pièce sous garantie dont le remplacement est prévu dans le cadre de l'entretien requis par les instructions écrites fournies avec chaque nouveau moteur doit être garantie pendant la période précédant le premier point de remplacement prévu pour cette pièce. Si la pièce tombe en panne avant le premier remplacement prévu, elle doit être réparée ou remplacée par le constructeur conformément au paragraphe (4) ci-dessous. Toute pièce réparée ou remplacée en vertu de la garantie doit être garantie pour une période au moins égale au reste de la période précédant le premier remplacement prévu de la pièce.
- (4) La réparation ou le remplacement de toute pièce garantie en vertu des dispositions de garantie du présent article doit être effectué sans frais pour le propriétaire dans une station de garantie.
- (5) Nonobstant les dispositions du paragraphe (4) ci-dessus, les services de garantie ou les réparations doivent être fournis dans les centres de distribution qui sont franchisés pour l'entretien des moteurs en question.
- (6) Le propriétaire ne doit pas être facturé pour le travail de diagnostic qui permet de déterminer qu'une pièce garantie est en fait défectueuse, à condition que ce travail de diagnostic soit effectué dans une station de garantie.
- (7) Tout au long de la période de garantie du système de contrôle des émissions d'échappement définie au paragraphe (b)(2), FNA doit maintenir un stock de pièces garanties suffisant pour répondre à la demande prévue de ces pièces et doit obtenir des pièces supplémentaires si ce stock est épuisé.
- (8) Les pièces de rechange approuvées par le fabricant qui n'augmentent pas les émissions de gaz d'échappement ou d'évaporation du moteur ou du système de contrôle des émissions d'évaporation doivent être utilisées lors de l'exécution de tout entretien ou de toute réparation sous garantie et doivent être fournies sans frais au propriétaire. Une telle utilisation ne réduira pas les obligations de garantie de FNA.
- (9) L'utilisation de pièces ajoutées ou modifiées peut constituer un motif de rejet d'une demande de garantie faite conformément au présent article. FNA ne sera pas responsable, en vertu du présent article, des défaillances des pièces garanties causées par l'utilisation d'une pièce ajoutée ou modifiée.
- (10) FNA fournira tout document décrivant les procédures ou politiques de garantie de FNA dans les cinq jours ouvrables suivant la demande de l'agent exécutif.

(d) Une liste de toutes les pièces de garantie des émissions de gaz d'échappement doit être incluse avec chaque nouveau moteur soumis au présent article. La liste des pièces de garantie des émissions de gaz d'échappement doit inclure toutes les pièces dont la défaillance augmenterait les émissions de gaz d'échappement, et contient les pièces suivantes (le cas échéant):

- (1) Système de dosage du carburant.
 - Carburateur et pièces internes (et/ou régulateur de pression ou système d'injection de carburant).
 - Système de rétroaction et de contrôle du rapport air/carburant.
 - Système d'enrichissement pour démarrage à froid.
- (2) Système d'induction d'air
 - Système d'admission d'air chaud contrôlé.
 - Collecteur d'admission.
 - Filtre à air.
- (3) Système d'allumage
 - Bougies d'allumage.
 - Magnéto ou système d'allumage électronique.
 - Système d'avance/retard à l'allumage.
- (4) Système de recirculation des gaz d'échappement (EGR)
 - Corps de vanne EGR et entretoise de carburateur, le cas échéant.
 - Système de contrôle et de rétroaction du taux de EGR.
- (5) Système d'injection d'air
 - Pompe à air ou soupape à impulsion.
 - Soupapes affectant la distribution du débit.
 - Collecteur de distribution.
- (6) Système de catalyseur ou de réacteur thermique
 - Convertisseur catalytique.
 - Réacteur thermique.
 - Collecteur d'échappement.
- (7) Contrôles des particules
 - Pièges, filtres, précipitateurs et tout autre dispositif utilisé pour capter les émissions de particules.
- (8) Articles divers utilisés dans les systèmes ci-dessus
 - Vannes et interrupteurs sensibles au vide, à la température et au temps.
 - Commandes électroniques.
 - Tuyaux, courroies, connecteurs et assemblages.

Remarque: Toute autre déclaration de garantie s'appliquant aux unités de moteurs ne doit pas limiter la période de garantie sur les émissions de gaz d'échappement (deux ans) ou son applicabilité aux propriétaires ultérieurs après l'acheteur final.



Copyright. All Rights Reserved
FNA Group, Inc.
7152 99th Street
Pleasant Prairie, WI 53158
www.FNA-GROUP.com