

**NOT FOR SALE IN THE
STATE OF CALIFORNIA**

**PAS À VENDRE DANS
L'ÉTAT DE CALIFORNIE**

**NO A LA VENTA EN EL
ESTADO DE CALIFORNIA**

CRX420

GASOLINE ENGINE OPERATOR'S MANUAL

PLEASE READ THIS MANUAL CAREFULLY BEFORE OPERATION

If your engine is not working properly or if there are parts missing or broken, please **DO NOT RETURN IT TO THE PLACE OF PURCHASE**. Contact our Customer Service Department at 1-833-279-3646 or CRXservice@Fna-Group.com.

NOTE: Line drawings used in this manual are for reference only and do not represent a specific model.



⚠ WARNING:

This product and its exhaust can expose you to chemicals including lead and lead compounds, and carbon monoxide, which are known to the State of California to cause cancer and birth defects or other reproductive harm. For more information go to www.P65Warnings.ca.gov.

This Manual contains important safety information and instructions for operating this engine. **PLEASE READ THIS MANUAL CAREFULLY.** Failure to do so could result in property damage and/or personal INJURY/DEATH.

Provide this manual to any operator of this engine. This manual should be considered as a permanent part of your engine and should remain with it when you sell it.

The pictures and figures in the manual shall be only for reference. There may be differences between the pictures and figures and the physical product.

Table of Contents

Operator Safety	2
Safety Rules	2
Features and controls	4
Operating	4
Operating Checklist	4
Operating Location	4
Operating Condition	4
Engine Oil	4
Engine Fuel	5
Equipment Check	5
Starting the Engine	6
Stopping the Engine	6
Terminal Application	6
Maintenance	7
Maintenance Schedule	7
General Maintenance	8
Engine Oil	8
Add Oil	8
Change Oil	8
Air Filter	8
Spark Plug	8
Spark Arrester	9
Idle Speed	9
Adjustment	9
Trouble Analysis and Troubleshooting	9
Storage	9
Specifications	10
Specification Parameter Table	10
Case Cover Installation Dimension	11
Engine Circuit Diagram	12
Limited Warranty	13
Emission Control System Warranty	14

SAVE THESE INSTRUCTIONS FOR FUTURE USE

All information in this publication is based on the latest product information available at the time of printing. We reserve the right to change, alter and/or improve the product and this document at

any time without notice and without incurring any obligation. Write down the engine's serial number and purchase information. Keep this manual and the receipt for future reference.

Model: _____

Serial number: _____

Date of purchase: _____

OPERATOR SAFETY

Safety Rules



Pay attention to this safety alert symbol. Obey all safety messages that follow this symbol to avoid possible property damage, INJURY or DEATH. Each safety message is preceded by a safety alert symbol and one of three words, DANGER, WARNING, or CAUTION.

⚠ DANGER:

Indicates a hazardous situation that, if not strictly complied with, will result in substantial property damage, serious injury or DEATH.

⚠ WARNING:

Indicates a hazardous situation that, if not strictly complied with, may result in property damage, serious injury or DEATH.

⚠ CAUTION:

Indicates a hazardous situation which, if not strictly complied with, could result in property damage or injury.



⚠ WARNING:

READ THIS MANUAL COMPLETELY BEFORE OPERATING.

DO NOT operate this engine until you have read ALL safety, operation, and maintenance Instructions listed in this manual.

Failure to follow the instructions may result in property damage, INJURY or DEATH.

The warnings and precautions discussed in this manual cannot cover all possible conditions and situations that may occur. It must be understood by the operator that common sense and caution are factors which cannot be built into this product, but must be supplied by the operator.

⚠ WARNING:

Before each use, check for loose or damaged parts, signs of oil or fuel leaks, and any other condition that may affect proper operation. Repair or replace all damaged or defective parts immediately.

Locate all operating controls and safety labels.

Keep all safety guards in place and in proper working order at all times.

DO NOT allow any material to block the cooling slots.

DO NOT allow children or untrained persons to operate the engine.

DO NOT run the engine unattended. Turn off the engine before leaving the area.



⚠ WARNING:

KICKBACK

Rapid retraction of the starter cord will pull your hand and arm towards the engine faster than you can let go.

Accidental starts can result in entanglement, traumatic amputation or laceration.

Broken bones, fractures, bruises or sprains could result.



⚠ WARNING:

FIRE

Operation of this engine may create sparks that can start fires around dry vegetation .

This engine may not be equipped with a spark arresting muffler. If the engine will be used around flammable materials, or on land covered with materials such as agricultural crops, forest, brush, grass, or other similar items, then an approved spark arrester must be installed.

In some area, a spark arrester is required by law. Please contact local fire agencies for laws or regulations relating to fire prevention requirements.

⚠ WARNING:

Read the instructions provided with the equipment that is powered by this engine for any additional safety rules that should be observed in conjunction with engine startup, shutdown, operation, or protective apparel that may be needed to operate the equipment.



⚠ WARNING:

HOT SURFACE

Running engines produce heat. Severe burns can occur on contact.

DO NOT touch engine while operating or just after stopping. Avoid contact with hot exhaust gases.

Maintain at least three feet of clearance on all sides to ensure adequate cooling.

Combustible material can catch fire on contact. Maintain at least five feet of clearance from combustible materials.

⚠ DANGER:

Do not tamper with the engine governed speed limits. High operating speeds are dangerous and increase the risk of personal injury or damage to the equipment. Operating at low speeds with heavy load may shorten the engine's life.



⚠ DANGER:

FIRE OR EXPLOSION

Gasoline is highly flammable and extremely explosive.

Fire or explosion can cause severe burns or death.

Keep flammable items away while handling gasoline.

Fill fuel tank outdoors and in a well-ventilated area with the engine stopped.

Always wipe off spilled fuel and wait until the fuel has dried before starting the engine.

DO NOT operate the engine with known leaks in the fuel system.

Use proper fuel storage and handling procedures. DO NOT store fuel or other flammable materials nearby.

Empty the fuel tank before storing or transporting this engine.

Keep fire extinguisher handy and be prepared if a fire starts.



⚠ DANGER:

MOVING PARTS

Moving parts can cause severe injury. Keep hands and feet away.

DO NOT operate engine with covers, shrouds, or guards removed.

DO NOT wear loose-fitting clothing, dangling drawstrings or items that could become caught. Tie up long hair and remove jewelry.

NEVER place fingers, hands, or body near the engine when it is running period.



⚠ DANGER:

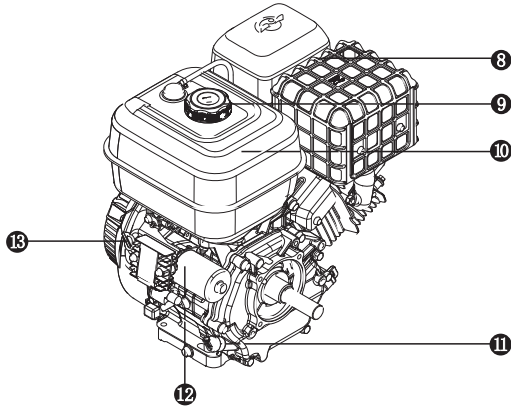
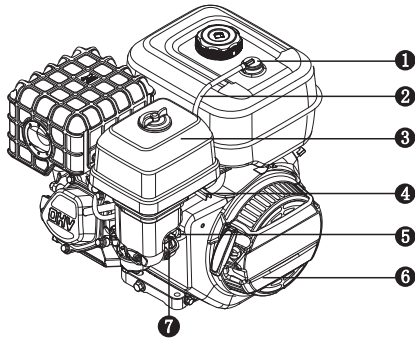
TOXIC FUMES

The exhaust of the engine contains carbon monoxide, an odorless, colorless, poison gas. Using the engine indoors CAN KILL YOU!

NEVER use inside any building or any kind of enclosure, EVEN IF doors and windows are open.

Place the engine in a well ventilated area and carefully consider wind and air currents when positioning the engine.

FEATURES AND CONTROLS



- | | |
|---------------------|----------------------------|
| 1 Evaporative Valve | 7 Choke Lever |
| 2 Evaporating hose | 8 Muffler |
| 3 Air cleaner cover | 9 Fuel Tank Cap |
| 4 Throttle Lever | 10 Fuel Tank (If equipped) |
| 5 Fuel Switch | 11 Oil Dipstick |
| 6 Recoil Starter | 12 Starting motor |
| | 13 OFF/ON Switch |

OPERATING

Operating Checklist

Operating Location

- Only use OUTSIDE and place the engine in a well-ventilated area and carefully consider wind and air currents.
- Place the engine on a level surface before any operation.
- Allow two feet clearance on all sides of the engine while operating.



⚠ DANGER:

TOXIC FUMES

The exhaust of the engine contains carbon monoxide, an odorless, colorless, poison gas. Using the engine indoors CAN KILL YOU!

NEVER use inside any building or any kind of enclosure, EVEN IF doors and windows are open.

Place the engine in a well ventilated area and carefully consider wind and air currents when positioning the engine.

High Altitude

This engine will have proper engine performance and emission control when it is operated at or below an altitude of 5000 feet (1524 meters). This engine requires a high altitude carburetor kit to ensure proper engine performance and emission control when it is operated at altitudes above 5000 feet (1524 meters). Operating the engine with the wrong engine configuration above 5000 feet (1524 meters) may increase its emissions and decrease fuel efficiency and performance. To obtain a high altitude carburetor kit, contact FNA Group at CRXservice@Fna-Group.com or 1-833-279-3646.

⚠ CAUTION:

Operation of the engine with a high altitude carburetor kit at an altitude below 5000 feet (1524 meters) may cause the engine to overheat and result in serious engine damage.

Operating Condition

- Check for loose or damaged parts, signs of oil or fuel leaks, and any other condition that may affect proper operation.
- Repair or replace all damaged or defective parts immediately.

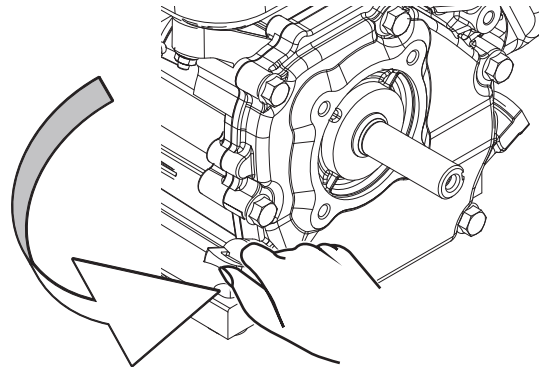
⚠ WARNING:

Failing to correct problem(s) before operation could result in property damage, serious injury or DEATH.

- Remove any excessive dirt or debris, especially around the muffler and recoil starter.
- Refer to the operating instructions for the equipment this engine powers. Do not operate this engine on an inclined surface greater than 15° in any direction.

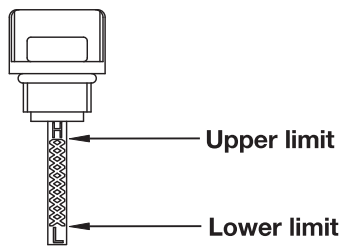
Engine oil

- Place the engine on a level surface with engine stopped.
- Remove the dipstick and wipe it clean.



Remove dipstick

- Reinstall dipstick into hole; rest on oil fill neck, DO NOT thread cap into hole.
- Remove the dipstick again and check oil level. Level should be at top of indicator on dipstick.



Dipstick

- Fill to the upper limit of the dipstick with the recommended oil if the oil level is low.
- Reinstall and fully tighten the dipstick.
- Engine damage could result from insufficient lubrication. Refer to **add oil** instruction in **MAINTENANCE** section for more information.
- See **SPECIFICATIONS** for oil capacity and oil type; Page 10.

⚠ WARNING:

This engine is not filled with oil at the factory. Any attempt to crank or start the engine before it has been properly filled with the recommended type and amount of oil may result in engine damage and void your warranty.

⚠ WARNING:

Oil is a major factor affecting performance and service life. Use 4-stroke automotive detergent oil recommended in the **MAINTENANCE** section of this manual.


Engine fuel

- With the engine stopped, check the fuel level gauge. Refill the fuel tank if necessary.

⚠ CAUTION:

Pressure can build up in the fuel tank. Allow the engine to cool for at least two minutes before removing fuel cap. Loosen the fuel cap slowly to relieve any pressure in the tank.

- Use clean, fresh regular unleaded gasoline with a minimum octane rating of 87. DO NOT mix oil with gasoline or use gasoline older than 30 days. DO NOT use gasoline that contains more than 10% ethyl alcohol. E15, E20 and E85 are NOT approved fuels and should NOT be used.
- Be sure not to fill the fuel tank above the upper limit mark. Always allow room for fuel expansion.
- See **SPECIFICATIONS** for fuel capacity (rated); Page 10.



LOOK BEFORE YOU PUMP!

Ethanol Percentage

<10% OK NO 15% - 30% - 85%

DO NOT USE FUEL CONTAINING GREATER THAN 10% ETHANOL!
N'UTILISEZ PAS UN CARBURANT DONT LA TENEUR EN ETHANOL EST SUPERIEURE A 10%!
NO UTILICE COMBUSTIBLES QUE CONTENGAN MAS DE 10% DE ETANOL!

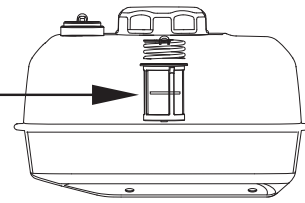
IMPORTANT: Ethanol Shield™ (sold separately) is a fuel stabilizer that helps eliminate and prevent ethanol related problems in power equipment. Follow the instructions on the container and add to the gasoline.

Ethanol Percentage

<10% OK
NO 15% - 30% - 85%

NOTICE: Use of fuels with greater than 10% ethanol are not approved for use in this product per EPA regulations and will damage the unit and void the warranty.

MAXIMUM fuel adding position



⚠ WARNING:

Do not fill the fuel tank above the maximum fuel level.



⚠ DANGER:

FIRE OR EXPLOSION

Gasoline is highly flammable and extremely explosive. Fire or explosion can cause severe burns or death. Keep flammable items away while handling gasoline. Fill fuel tank outdoors and in a well-ventilated area with the engine stopped.

Always wipe off spilled fuel and wait until the fuel has dried before starting the engine.

DO NOT operate the engine with known leaks in the fuel system.

Use proper fuel storage and handling procedures. DO NOT store fuel or other flammable materials nearby.

Empty the fuel tank before storing or transporting this engine.

Keep fire extinguisher handy and be prepared if a fire starts.

NEVER use engine or carburetor cleaner products in the fuel tank or permanent damage may occur.

It is important to prevent gum deposits from forming in essential fuel system parts, such as the carburetor, fuel filter, fuel hose or tank during storage. Also, experience indicates that alcohol-blended fuels (called gasohol, ethanol or methanol) can attract moisture, which leads to separation and formation of acids during storage.

Acidic fuel can damage the fuel system of an engine while in storage. Be sure to review the instructions given in "Storage" on page 9.

Gasoline/Alcohol Blends: up to 10% alcohol, 90% unleaded gasoline by volume is approved as a fuel. Other gasoline/alcohol blends are not approved. Effects of old, stale or contaminated fuel are not warrantable.

⚠ CAUTION:

To minimize gum deposits in your fuel system and to insure easy starting, do not use gasoline left over from the previous season.

Equipment Check

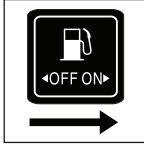
Review the instructions provided for the equipment manufacturer for any precautions and procedures that should be followed before starting the engine.

⚠ WARNING:

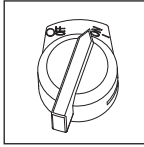
This engine is designed and manufactured for specific applications. Do not attempt to modify the equipment or use it for any application for which it was not designed. If you have questions about specific applications, please contact FNA Group at CRXservice@Fna-Group.com or 1-833-279-3646.

Starting the Engine

1. Perform **OPERATING CHECKLIST** (Page 4).
2. Slide the fuel switch to the ON position.



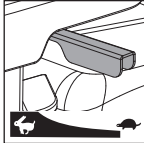
3. Turn the ON/OFF switch to the ON position.



4. Slide the choke lever to the CHOKE position.



5. Move throttle lever to the FAST position.



6. For electric starting, refer to your equipment manual.
7. To manually start the engine, first turn the switch to ON (refer to your equipment manual). Grasp the recoil starter handle and pull it slowly until resistance is felt. Pull rapidly to avoid kickback.

⚠ WARNING:

Check starter cord conditions before operating. Have it replaced immediately if the cord is frayed.



⚠ WARNING:

KICKBACK

Rapid retraction of the starter cord will pull your hand and arm towards the engine faster than you can let go. Accidental starts can result in entanglement, traumatic amputation or laceration. Broken bones, fractures, bruises or sprains could result.

8. When the engine is running, slide the choke lever back to the RUN position.



Note: If the engine is warm, there is no need to operate the choke.

9. Allow engine to warm 1 - 2 minutes before using this product.

⚠ WARNING:

Always operate the engine on a level surface. Angled surface more than 15° may cause the engine to tip and result in property damage, serious injury or DEATH.

Stopping the Engine

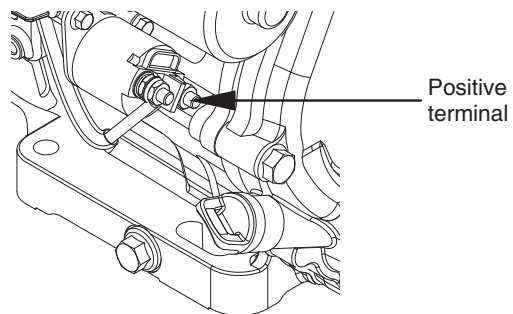
1. If possible, remove the load(s) on the engine.
2. Allow the engine run at no load for a few minutes to stabilize internal temperatures of the engine.
3. Turn the switch to OFF (refer to your equipment manual).
4. Turn the fuel switch to the OFF position.

Terminal application

The engine starter requires the electrical system to be started or powered by a 12-volt (V) battery with a minimum capacity of 14 ampere-hours (Ah). The positive (+) lead from the battery connects to the positive terminal on the starter relay. Connect the negative (-) lead from the battery to an engine mounting bolt, the conductive frame supporting the engine or any other engine grounding point.

⚠ CAUTION:

DO NOT connect the negative (-) battery lead to the oil filter mounting base or any part of the fuel system.



MAINTENANCE

A repair shop or person of the owner's choosing may maintain, replace or repair emission control devices and systems; however, warranty replacements or repairs must be performed by an FNA distribution or service center. To obtain information about how to make a warranty claim or to make arrangements for authorized repairs, please contact FNA Group.

It is the owner's/operator's responsibility to complete all scheduled maintenance in a timely manner. Correct any issue before operating the engine. Always follow the inspection and maintenance recommendations and schedules in this manual. Before servicing the engine, stop the engine, disconnect the battery (if equipped) and allow the engine to cool down.

⚠ WARNING:

Improper maintenance or failure to correct a problem before operation can cause a malfunction and result in property damage, serious injury or DEATH.
Improper maintenance may void your warranty.



⚠ DANGER:

Accidental starts can cause severe injury or death. Remove and ground spark plug wire before performing any service.

⚠ CAUTION:

The filter element may contain polyaromatic hydrocarbons (PAHs). PAHs are harmful to your health. Please wear gloves for protection during air filter maintenance.

Maintenance Schedule

Follow the service intervals indicated in the chart below. Your engine may need to be serviced more frequently when operating in adverse conditions, such as excessive dust or airborne debris, high moisture, high vibrations, or intense heat or sunlight.

		Each time before use	The first month or 10 hours ^{Note 2}	Every three months or 50 hours ^{Note 2}	Every six months or 100 hours ^{Note 2}	Every year or 300 hours ^{Note 2}
Engine oil	Inspection	√				
	Replacement		√		√	
Air cleaner	Inspection	√				
	Cleaning			√ ^{Note 3}		
Spark plug	Inspection and adjustment				√	
	Replacement					√
Spark arrester ^{Note 1}	Cleaning				√	
Idle speed	Inspection and adjustment					√ ^{Note 4}
Valve clearance	Inspection and adjustment					√ ^{Note 4}
Carbon canister ^{Note 1}	Inspection	Every two years ^{Note 4}				
Carbon canister tube ^{Note 1}	Inspection	Every two years ^{Note 4}				
Evaporative oil breather tube	Inspection	Every two years ^{Note 4}				

Note 1: Replace if damaged.

Note 2: Before each season and after then (whichever comes first).

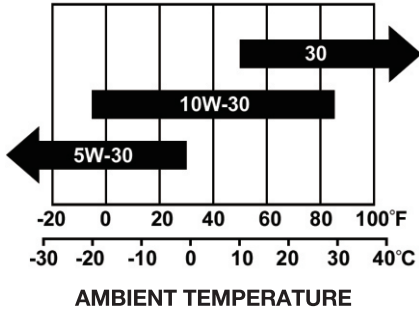
Note 3: Service more frequently under severe, dusty, dirty conditions.

Note 4: To be performed by knowledgeable, experienced owners or the authorized dealer.

General Maintenance

Engine Oil

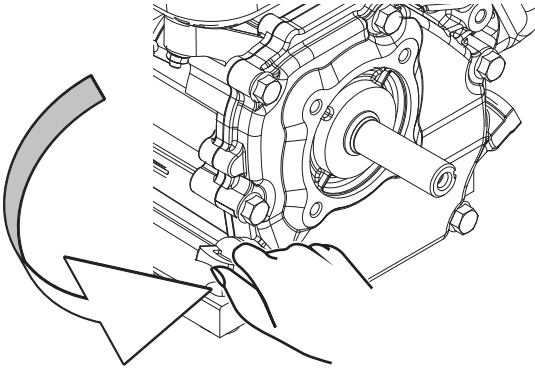
SAE 10W-30 is recommended for general, all-temperature use. Other viscosities shown in the chart may be used when the average temperature in your area is within the indicated range.



See **SPECIFICATIONS** for rated oil capacity; Page 10.

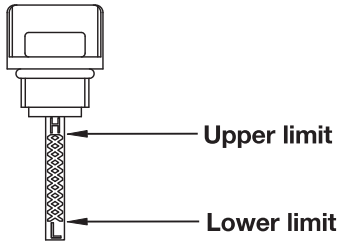
Add Oil

1. Place the engine on a level surface.
2. Remove the dipstick and wipe it clean.



Remove dipstick

3. Add recommended oil to the upper limit.



Dipstick

4. Fully tighten the dipstick.

Change Oil

⚠ CAUTION:

Change oil when the engine is warm from operation.

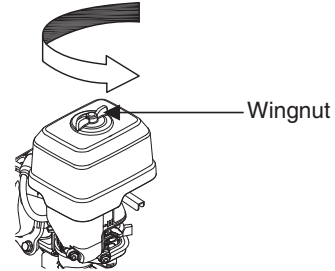
1. Place the engine on a level surface.
2. Clean area around dipstick and drain plug.
3. Remove oil dipstick.
4. Remove the oil drain plug and allow the oil to drain completely.
5. Reinstall and fully tighten the drain plug.
6. See **SPECIFICATIONS** (Page 10) for rated oil; fill to the upper limit. Reinstall and fully tighten the dipstick.
7. Dispose of used oil at an approved waste management facility.

⚠ WARNING:

The engine is not filled with oil at the factory. Any operation before it has been properly filled with the recommended type and amount of oil may result in engine damage and void your warranty.

Air Filter

1. Unscrew the wingnut. Remove the air filter cover.



Remove air filter cover

2. Remove the filter element.
3. Clear away internal dirt and debris.
4. Replace the filter.
5. Reinstall the air cover filter, tighten the wingnut.

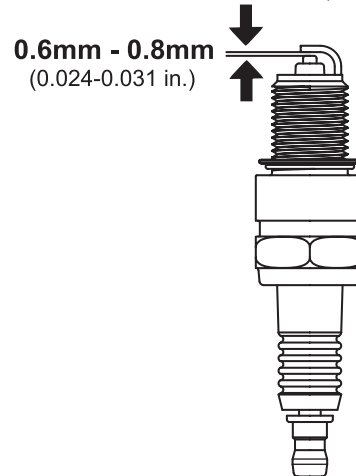
⚠ WARNING:

DO NOT run the engine without the air filter. Serious damage to the engine can result without the air filter.

Spark Plug

1. Remove the spark plug cap from the spark plug.
2. Clean any dirt from the spark plug cap and spark plug base.
3. Use a socket wrench to loosen and remove the spark plug.
4. Inspect the spark plug and spark plug washer. If they are damaged or worn, replace with new one. Clean the spark plug with a wire brush if it can be reused.
5. Check spark plug gap. Carefully bend side electrode to adjust the gap if necessary.

Spark plug gap: 0.6mm - 0.8mm (0.024-0.031 in.)



Check spark plug gap

6. Carefully thread the plug into the engine by hand.
7. After the spark plug is seated, use a torque wrench to tighten to 15-18 ft. lb. (20 - 25 N.m)
8. Attach the spark plug cap to the plug.

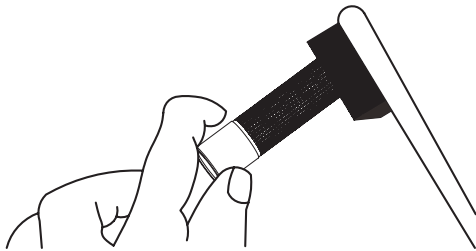
⚠ WARNING:

Only use recommended spark plug or equivalent. DO NOT use a spark plug with an improper heat range. Engine damage may occur.

Spark Arrester

(Applicable types)

1. Allow the engine to cool completely before servicing the spark arrester.
2. Remove the two screws holding the cover plate which retains the end of the spark arrester to the muffler.
3. Remove the spark arrester screen.
4. Carefully remove the carbon deposits from the spark arrester screen with a wire brush.
5. Replace the spark arrester if it is damaged.
6. Reinstall the spark arrester in the muffler and attach with the two screws.



Clean carbon deposits

Idle Speed

The idle speed has been pre-set at the factory and should rarely require readjustment.

⚠ WARNING:

Improper adjustment of idle speed will damage your engine and void your warranty

Adjustment

Except as described in this Manual, there is no additional maintenance or adjustment required for your engine.

Improper adjustments or tampering can damage your engine and your equipment and will void your warranty.

⚠ WARNING:

Tampering with the factory set governor will damage your engine and void your warranty.

If your engine is not working properly or if there are parts missing or broken, please DO NOT RETURN IT TO THE PLACE OF PURCHASE. Contact our Customer Service Department at 1-833-279-3646 or CRXservice@Fna-Group.com.

TROUBLE ANALYSIS AND TROUBLESHOOTING

Phenomenon	Problems	Solutions
Engine cannot be started.	The OFF/ON switch is in the OFF position	Set the OFF/ON switch to the ON position.
	There is no fuel.	Fill tank per instructions in this manual.
	Inadequate engine oil.	Check oil level. The engine cannot be started unless the oil level is above the prescribed lower limit.
	There is no ignition.	Using an external spark tester, assure that the cylinder has proper spark. If the spark is weak or missing altogether, contact your local authorized service dealer.

STORAGE

Follow the instructions below for longer term storage if the engine will be out of service for 30 days or more.



⚠ DANGER:

FIRE OR EXPLOSION

Gasoline is highly flammable and extremely explosive.. Empty the fuel tank before storing or transporting the engine.

1. Change the oil while engine is still warm from operation.
2. Then allow the engine to cool completely.
3. Drain all fuel completely from the fuel tank, fuel hose and carburetor.
4. Remove spark plug and pour about 1 oz. of engine oil into cylinder. Reinstall spark plug. Crank engine slowly to distribute oil and lubricate cylinder.
5. Clean the engine according to the instructions in the Maintenance section.
6. Store the unit in a clean, dry area out of direct sunlight.

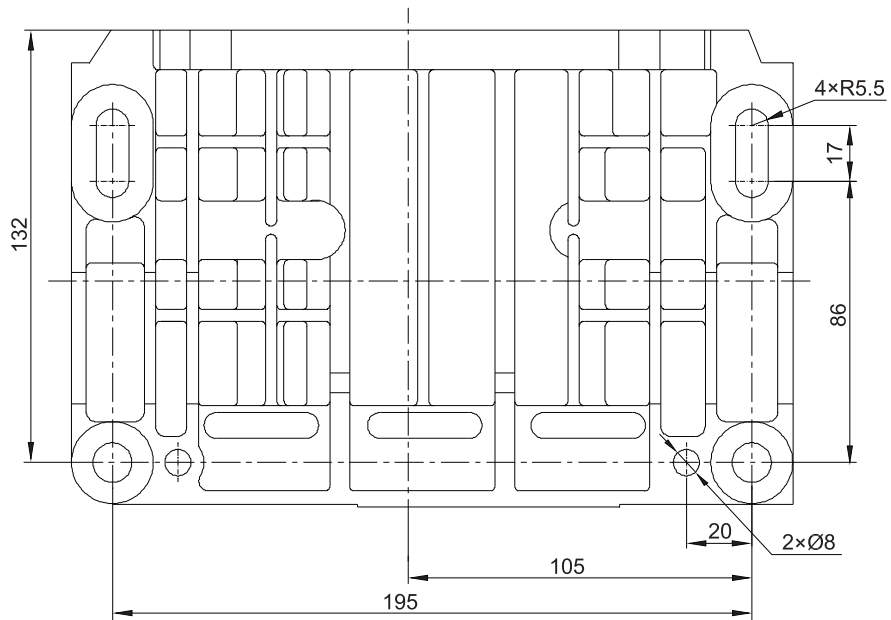
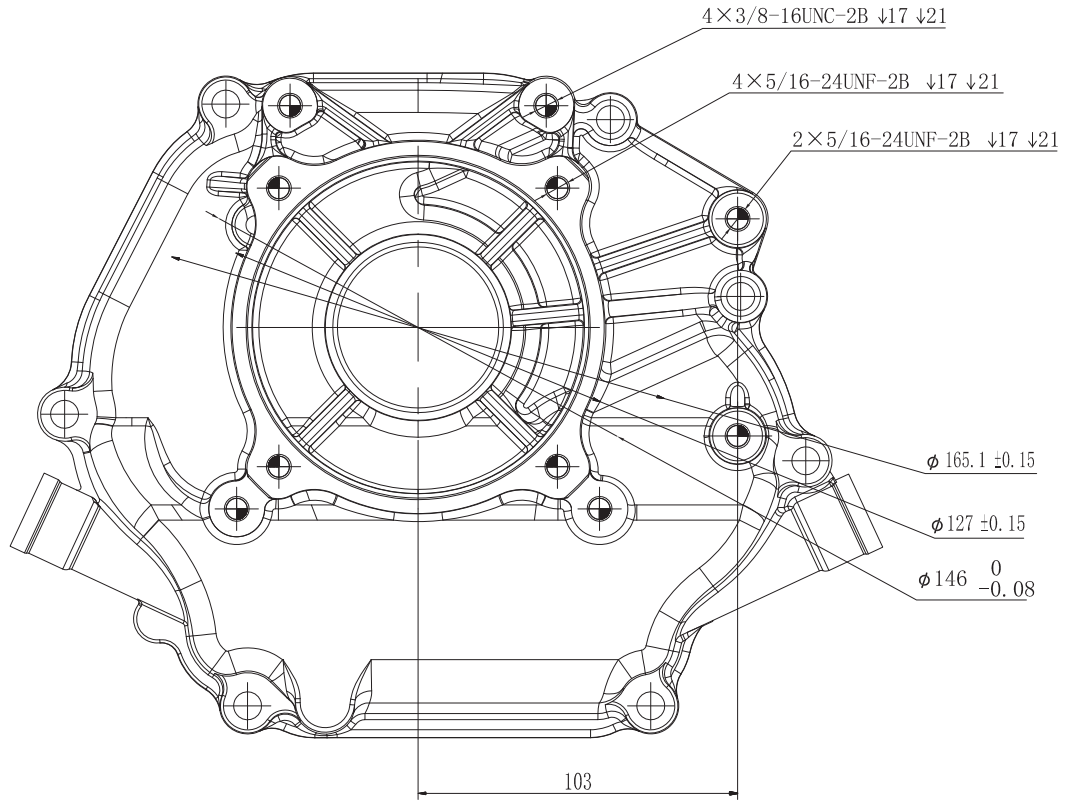
SPECIFICATIONS

Specification Parameter Table

Category	Item	CRX420	
Main structure parameters	Valve arrangement	Overhead valve	
	Number of cylinders	1	
	Cylinder diameter(mm)	90	
	Piston stroke(mm)	66	
	Total displacement(cm ³)	420	
	Compression ratio	9.0:1	
	Rated power per SAE J1349 Net Power (Kw/rpm)	9.0/3600	
	Direction of rotation	Counter clockwise (from the crankshaft output side)	
	Ignition advance angle	30°±2°	
	Valve clearance	Intake valve clearance	0.004 – 0.006" (0.10 – 0.15mm)
		Exhaust valve clearance	0.006 – 0.008" (0.15 – 0.20mm)
Spark plug gap	0.024 – 0.031" (0.6 – 0.8mm)		
Fuel and lubricating oil	Engine oil type	SAE 10W-30 API SG or newer	
	Fuel delivery	Carburetor	
	Fuel tank capacity	1.59 gal (6.0L)	
	Lubricating oil capacity	39oz (1.1L)	
Dimension and mass	Dimension(Length×Width×Height)	17.95 x 13.98 x 18.07" (456 x 355 x 459mm)	
	Weight (net)	73.9 lbs. (33.5Kg)	

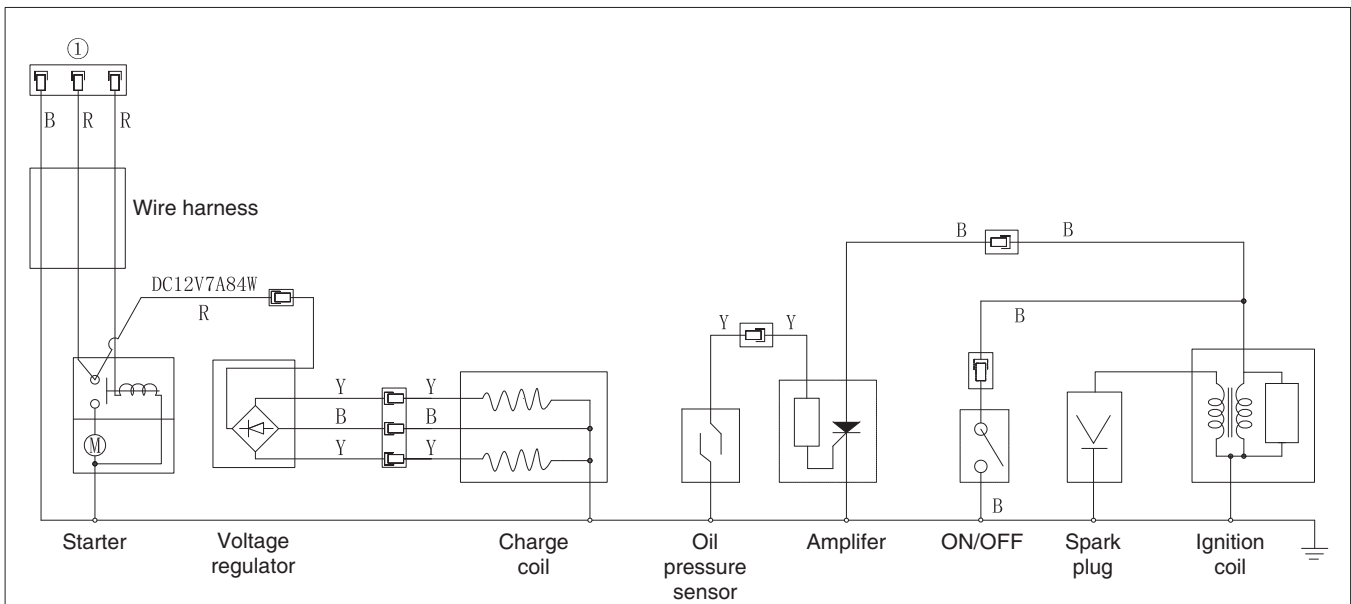
Case Cover Installation Dimension

CRX420



All dimensions are in millimeters (mm) except for thread callouts.

Engine circuit diagram



Port	Power port type	Terminal port type	Note	Explanation
①	HD034Y-7.8-21	B	Start motor power port	Connect the cathode of 12V DC power supply
		R	Start motor power port	Connect to the 12V DC power supply anode which is the power input port for electric startup and the charging output port (DC12V/7A/84W).
		R	Start relay control port	Connect the port to the anode of the 12V power supply through flip the switch to control the relay was turned on by the two contacts of the control site.

LIMITED WARRANTY

3 YEAR COMMERCIAL LIMITED WARRANTY

WARRANTY COVERAGE TERMS:

The manufacturer of this product agrees to repair or replace designated parts that prove defective within the warranty period listed below at the manufacturer's sole discretion. Specific limitations/extensions and exclusions apply.

This warranty covers defects in material and workmanship and not parts failure due to normal wear, depreciation, abuse, accidental damage due to chemical deterioration, scale buildup, rust corrosion or thermal expansion, negligence, improper use, maintenance, water quality or storage. To make a claim under the terms of the warranty, all parts said to be defective must be retained and available for return upon request to a designated Warranty Service Center for warranty inspection. The judgments and decisions of the manufacturer concerning the validity of warranty claims are final.

These warranties pass through to the end user and are non-transferable. As a factory authorized and trained Warranty Service Center, the factory will honor the terms of all component warranties and satisfy claims of the appropriate warranty provisions.

Normal wear items include, but are not limited to, spark plugs, carburetor adjustments, ignition adjustments, filters, oil changes, recoil starter ropes, electric motor brushes, cotter pins, gaskets, valves, pistons or any other parts considered to be wear items, which are not covered by this warranty. The foregoing warranty is exclusive and in lieu of all other warranties whether written, oral, expressed, or implied. There are no warranties of merchantability or fitness of any product for a particular purpose. The FNA Group's only liability shall be the repair or replacement of parts as stated above. In no event shall the FNA Group be responsible for any losses or damages that are indirect, consequential, punitive, special, exemplary, or for economic loss, commercial loss, lost revenues, lost profits, or lost business opportunities, regardless of whether such liability is based on breach of contract, tort, strict liability, breach of warranties, failure of essential purpose or otherwise, or is a direct result of the FNA Group's own actions or inactions. Because some states do not allow limitations on how long an implied warranty lasts, the above limitation may not apply to you.

The FNA Group assumes no responsibility for incidental, consequential, or other damages including, but not limited to, expenses related to transporting the product to or from an authorized service, a mechanic's travel time, any telephone or communication charges, the rental of a like product while the warranty service is being performed, any other travel time or expenses, loss or damage to personal property, loss of revenue, loss of use of the product, loss of time, or any other inconvenience. Some states do not allow the exclusion or limitation of incidental or consequential damages, so the above limitation or exclusion may not apply to you.

This warranty replaces all other warranties, express or implied, including without limitation any warranties of merchantability or fitness for a particular purpose and all such warranties are hereby disclaimed and excluded by the manufacturer. The manufacturer's warranty obligation is limited to repair and replacement of defective products as provided herein and the manufacturer shall not be liable for any further loss, damages, or expenses - including damages from shipping, accident, abuse, acts of God, misuse, or neglect. Neither is damage from repairs using parts not purchased from the manufacturer

or alterations performed by non-factory authorized personnel. Failure to install and operate equipment according to the guidelines put forth in the instruction manual shall void warranty.

RESPONSIBILITY OF ORIGINAL PURCHASER (INITIAL USER):

To process a warranty claim, report the concern to 1-833-279-3646 or CRXservice@Fna-Group.com for authorization and direction to the nearest authorized service center in your area.

Retain original cash register sales receipt as proof of purchase for warranty work.

Use reasonable care in the operation and maintenance of the product as described in the Operator's Manual(s).

FEDERAL EXHAUST AND EVAPORATIVE EMISSIONS CONTROL WARRANTY STATEMENT YOUR WARRANTY RIGHTS AND OBLIGATIONS

The United States Environmental Protection Agency (EPA) and FNA Group (FNA) are pleased to explain the exhaust and evaporative emissions ("emissions") control system's warranty on your 2024 small off-road engine or equipment (SORE). New equipment that use small off-road engines must be designed, built, and equipped to meet the State's stringent anti-smog standards. FNA must warrant the emissions control system on your SORE for the periods of time listed below provided there has been no abuse, neglect or improper maintenance of your small off-road engine or equipment leading to the failure of the emissions control system.

Your emissions control system may include parts such as the carburetor or fuel-injection system, the ignition system, catalytic converter, fuel tanks, fuel lines (for liquid fuel and fuel vapors), fuel caps, valves, canisters, filters, clamps and other associated components. Also included may be hoses, belts, connectors, and other emission-related assemblies.

Where a warrantable condition exists, FNA will repair your SORE at no cost to you including diagnosis, parts and labor.

MANUFACTURER'S WARRANTY COVERAGE:

This exhaust and evaporative emissions control system on your SORE is warranted for two years. If any emissions-related part on your SORE is defective, the part will be repaired or replaced by FNA.

OWNER'S WARRANTY RESPONSIBILITIES:

As the SORE owner, you are responsible for performance of the required maintenance listed in your owner's manual. FNA recommends that you retain all receipts covering maintenance on your SORE, but FNA cannot deny warranty coverage solely for the lack of receipts or for your failure to ensure the performance of all scheduled maintenance.

As the SORE owner, you should however be aware that FNA may deny your warranty coverage if your SORE or a part has failed due to abuse, neglect, or improper maintenance or unapproved modifications.

You are responsible for presenting your SORE to a FNA distribution center or service center as soon as the problem exists. The warranty repairs shall be completed in a reasonable amount of time, not to exceed 30 days.

If you have any questions regarding your warranty rights and responsibilities, you should contact [FNA Group](#) at [1-833-279-3646](tel:1-833-279-3646) or at CRXservice@Fna-Group.com.

DEFECTS WARRANTY REQUIREMENTS:

(a) Applicability. This section applies to emissions control systems on small off-road engines or equipment that use small off-road engines subject to the emission standards in this Article. The warranty period begins on the date the engine or equipment is delivered to an ultimate purchaser.

(b) General Emissions Warranty Coverage. The engine or equipment must be warranted to the ultimate purchaser and any subsequent owner that the emissions control system when installed was:

- (1) Designed, built, and equipped so as to conform with all applicable regulations; and
- (2) Free from defects in materials and workmanship that causes the failure of a warranted part for a period of two years.

(c) The warranty on emissions-related parts will be interpreted as follows:

- (1) Any warranted part that is not scheduled for replacement as required maintenance in the written instructions furnished with each new engine or equipment must be warranted for the warranty period defined in subsection (b)(2). If any such part fails during the period of warranty coverage, it must be repaired or replaced by FNA according to subsection (4) below. Any such part repaired or replaced under the warranty must be warranted for a time not less than the remaining warranty period.
- (2) Any warranted part that is scheduled only for regular inspection in the written instructions furnished with each new engine or equipment must be warranted for the warranty period defined in subsection (b)(2). A statement in such written instructions to the effect of "repair or replace as necessary" shall advise owners of the warranty coverage for emissions related parts. Replacement within the warranty period is covered by the warranty and will not reduce the period of warranty coverage. Any such part repaired or replaced under warranty must be warranted for a time not less than the remaining warranty period.
- (3) Any warranted part that is scheduled for replacement as required maintenance in the written instructions furnished with each new engine or equipment must be warranted for the period of time prior to the first scheduled replacement point for that part. If the part fails prior to the first scheduled replacement, the part must be repaired or replaced by the manufacturer according to subsection (4) below. Any such part repaired or replaced under warranty must be warranted for a time not less than the remainder of the period prior to the first scheduled replacement point for the part.

(4) Repair or replacement of any warranted part under the warranty provisions of this article must be performed at no charge to the owner at a warranty station.

(5) Notwithstanding the provisions of subsection (4) above, warranty services or repairs must be provided at distribution centers that are franchised to service the subject engines or equipment.

(6) The owner must not be charged for diagnostic labor that leads to the determination that a warranted part is in fact defective, provided that such diagnostic work is performed at a warranty station.

(7) Throughout the emissions control system's warranty period set out in subsection (b)(2), FNA must maintain a supply of warranted parts sufficient to meet the expected demand for such parts and must obtain additional parts if that supply is exhausted.

(8) Manufacturer-approved replacement parts that do not increase the exhaust or evaporative emissions of the engine or evaporative emission system must be used in the performance of any warranty maintenance or repairs and must be provided without charge to the owner. Such use will not reduce the warranty obligations of FNA.

(9) The use of add-on or modified parts may be grounds for disallowing a warranty claim made in accordance with this Article. FNA will not be liable under this Article to warrant failures of warranted parts caused by the use of an add-on or modified part.

(10) FNA shall provide any documents that describe FNA's warranty procedures or policies within five working days of request by the Executive Officer.

(d) A list of all emissions warranty parts must be included with each new engine or equipment subject to this Article. The emissions warranty parts list shall include all parts whose failure would increase exhaust or evaporative emissions, and contains the following parts (if applicable):

(1) Fuel Metering System

- Carburetor and internal parts (and/or pressure regulator or fuel injection system).
- Air/fuel ratio feedback and control system.
- Cold start enrichment system.

(2) Air Induction System

- Controlled hot air intake system.
- Intake manifold.
- Air filter.

(3) Ignition System

- Spark Plugs.
- Magneto or electronic ignition system.
- Spark advance/retard system.

(4) Exhaust Gas Recirculation (EGR) System

- EGR valve body, and carburetor spacer if applicable.
- EGR rate feedback and control system.

(5) Air injection System

- Air pump or pulse valve.
- Valves affecting distribution of flow.
- Distribution manifold.

(6) Catalyst or Thermal Reactor System

- Catalytic converter.
- Thermal reactor.
- Exhaust manifold.

(7) Particulate Controls

- Traps, filters, precipitators, and any other device used to capture particulate emissions.

(8) Miscellaneous items Used in Above Systems

- Vacuum, temperature, and time sensitive valves and switches.
- Electronic controls.
- Hoses, belts, connectors, and assemblies.

(9) Evaporative Controls

- Fuel Tank
- Fuel Cap
- Fuel Lines (for liquid fuel and fuel vapors)
- Fuel Line Fittings
- Clamps**
- Pressure Relief Valves**
- Control Valves**
- Control Solenoids**
- Electronic Controls**
- Vacuum Control Diaphragms**
- Control Cables**
- Control Linkages**
- Purge Valves
- Gaskets
- Liquid/Vapor Separator
- Carbon Canister
- Canister Mounting Brackets
- Carburetor Purge Port Connector

**Note: As they relate to the evaporative emission control system.

Note: Any other warranty statements apply to engines or equipment units shall not limit the emissions warranty period (two years) or its applicability to subsequent owners after the ultimate purchaser.



PELIGRO

Este producto y su escape pueden exponerlo a productos químicos, incluidos plomo y compuestos de plomo, Y monóxido de carbono, que el estado de California conoce que provocan cáncer y defectos de nacimiento u otros daños reproductivos. Para obtener más información, visite www.P65Warnings.ca.gov.

alterar y/o mejorar el producto y este documento en cualquier momento sin previo aviso y sin incurrir en ninguna obligación. Anote el número de serie del motor y la información de compra. Guarde este manual y el recibo para futuras consultas.

Modelo: _____

Número de serie: _____

Fecha de compra: _____

Este manual contiene información importante de seguridad e instrucciones para el funcionamiento del motor. **LEA ESTE MANUAL DETENIDAMENTE.** El no hacerlo podría resultar en daños a la propiedad y/o lesiones personales LESIONES/MUERTE

este motor. Este manual debe ser considerado como una parte importante y permanente de su motor y debe permanecer con él mismo cuando lo venda.

Las imágenes y esquemas del manual sólo servirán como referencia. Puede haber diferencias entre las imágenes y esquemas y el producto físico.

Proporcione este manual a cualquier Operario susceptible de usar

Índice de Contenidos

SEGURIDAD DEL OPERARIO	2
Normas de seguridad	2
CARACTERÍSTICAS Y CONTROLES	4
FUNCIONAMIENTO	4
Lista de comprobación de funcionamiento	4
Lugar de funcionamiento	4
Condiciones de funcionamiento	4
Aceite de motor	4
Combustible del motor	5
Comprobación del equipo	5
Arranque del motor	6
Detener el motor	6
Aplicación terminal	6
MANTENIMIENTO	7
Programa de mantenimiento	7
Mantenimiento General	8
Aceite de motor	8
Añadir Aceite	8
Cambio de Aceite	8
Filtro de aire	8
Bujía de encendido	8
Amortiguador de Bujías	9
Velocidad en vacío	9
Ajuste	9
ANÁLISIS Y SOLUCIÓN DE PROBLEMAS	9
ALMACENAMIENTO	9
ESPECIFICACIONES	10
Tabla de parámetros de especificación	10
Dimensión de Instalación de la Funda de la -Cubierta	11
Diagrama de circuitos del motor	12
GARANTÍA LIMITADA	13
GARANTÍA DEL SISTEMA DE CONTROL DE EMISIONES	14

GUARDAR ESTAS INSTRUCCIONES PARA SU USO O CONSULTA FUTURA

Toda la información contenida en esta publicación se basa en la información más reciente sobre el producto disponible en el momento de la impresión. Nos reservamos el derecho de cambiar,

SEGURIDAD DEL OPERARIO

Normas de seguridad



Preste atención a este símbolo de alerta de seguridad.

Obedezca todos los mensajes de seguridad que siguen a este símbolo para evitar posibles daños materiales, LESIONES o MUERTE. Cada mensaje de seguridad está precedido por un símbolo de alerta de seguridad y una de las tres palabras PELIGRO, ADVERTENCIA o PRECAUCIÓN.

PELIGRO:

Indica una situación peligrosa que, si no se cumple estrictamente, causará daños materiales sustanciales, lesiones graves o MUERTE.

ADVERTENCIA:

Indica una situación peligrosa que, si no se cumple estrictamente, puede ocasionar daños materiales, lesiones graves o MUERTE.

PRECAUCIÓN:

Indica una situación peligrosa que, si no se cumple estrictamente, puede provocar daños materiales o lesiones.



ADVERTENCIA:

LEA ESTE MANUAL COMPLETAMENTE ANTES DE UTILIZARLO.

NO utilice este motor hasta que haya leído TODAS las instrucciones de seguridad, funcionamiento y mantenimiento que se enumeran en este manual. **El incumplimiento de las instrucciones puede ocasionar daños materiales, LESIONES o la MUERTE.**

Las advertencias y precauciones descritas en este manual no pueden cubrir todas las posibles condiciones y situaciones que puedan ocurrir. El Operario debe entender que el sentido común y la prudencia son factores que no pueden incorporarse en este producto, sino que deben ser proporcionados por el Operario.

Antes de cada uso, compruebe si hay piezas sueltas o dañadas, signos de fugas de aceite o combustible y cualquier otra condición que pueda afectar el funcionamiento adecuado. Repare o reemplace todas las piezas dañadas o defectuosas inmediatamente.

Localice todos los controles de funcionamiento y etiquetas de seguridad.

Mantenga todos los resguardos de seguridad en su lugar y en el correcto funcionamiento en todo momento.

NO permita que ningún material bloquee las ranuras de enfriamiento.

NO permita que niños o personas no entrenadas y con la debida formación utilicen el motor.

NO haga funcionar el motor sin supervisión. Apague el motor antes de salir o abandonar el área.



ADVERTENCIA:

RETROCESO/CONTRAGOLPE

La retracción rápida del cable de arranque empujará su mano y brazo hacia el motor más rápido de lo que usted puede soltar. Los arranques accidentales pueden resultar en enredo, amputación traumática o laceración.

Podrían romperse huesos, fracturas, moretones o torceduras.



ADVERTENCIA:

FUEGO

El funcionamiento de este motor puede crear chispas que pueden encender fuegos alrededor de vegetación seca. Este motor no puede estar equipado con un silenciador para detener o descargar bujías. Si el motor se va a utilizar alrededor de materiales inflamables, o en terrenos cubiertos con materiales tales como cultivos agrícolas, bosques, maleza, césped u otros artículos similares, entonces se debe instalar un protector de bujías aprobado.

En algunas áreas, la ley requiere un protector de bujías. Póngase en contacto con las agencias de bomberos locales para conocer las leyes o reglamentos relacionados con los requisitos de prevención de incendios.

ADVERTENCIA:

Lea las instrucciones proporcionadas con el equipo alimentado por este motor para conocer las reglas de seguridad adicionales que deben observarse junto con el arranque, apagado, funcionamiento o ropa protectora del motor que pueda ser necesaria para el funcionamiento del equipo.



ADVERTENCIA:

SUPERFICIE CALIENTE

Los motores en marcha producen calor. Quemaduras severas pueden ocurrir al contacto.

NO toque el motor mientras esté funcionando o en marcha o justo después de detenerse. Evitar el contacto con gases de escape calientes.

Mantenga por lo menos tres pies de espacio libre en todos los lados para asegurar una refrigeración adecuada.

El material combustible puede incendiarse al contacto.

Mantenga por lo menos cinco pies de espacio libre de materiales combustibles.

PELIGRO:

No altercon los límites de velocidad gobernados por el motor. Las altas velocidades de funcionamiento son peligrosas y aumentan el riesgo de lesiones personales o daños al equipo. Operar a bajas velocidades con carga pesada puede acortar la vida útil del motor.



PELIGRO:

FUEGO O EXPLOSIÓN

La gasolina es altamente inflamable y extremadamente explosiva.

El fuego o la explosión pueden causar quemaduras graves o la muerte.

Mantenga alejados los artículos inflamables mientras manipula la gasolina.

Llene el tanque de combustible al aire libre y en un área bien ventilada con el motor parado.

Limpie siempre el combustible derramado y espere hasta que se seque antes de arrancar el motor.

NO utilice el motor con fugas conocidas en el sistema de combustible.

Use procedimientos adecuados de almacenamiento y manejo de combustible. NO almacene combustible u otros materiales inflamables cerca.

Vacíe el tanque de combustible antes de almacenar o transportar este motor.

Tenga a mano el extintor de incendios y prepárese si se inicia un incendio.



PELIGRO:

PIEZAS MÓVILES

Las piezas móviles pueden causar lesiones graves. Mantenga las manos y los pies alejados.

NO utilice el motor con las tapas, cubiertas o protectores removidos.

NO use ropa holgada, cordones colgantes u objetos que puedan quedar atrapados. Atar el pelo largo y quitar las joyas.

NUNCA coloque los dedos, las manos o el cuerpo cerca del motor cuando esté en período.



PELIGRO:

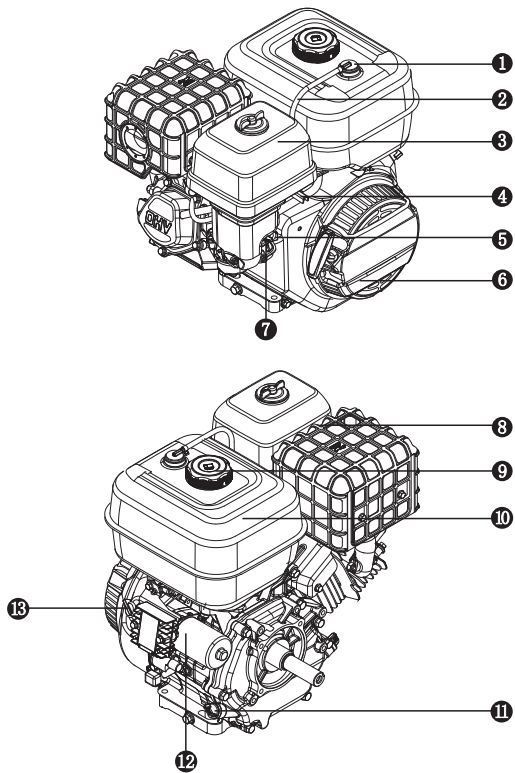
VAPORES TÓXICOS

El escape del motor contiene monóxido de carbono, un gas inodoro, incoloro y venenoso. ¡Usar el motor en interiores PUEDE MATAR!

NUNCA use dentro de cualquier edificio o cualquier tipo de cerramiento, AUNQUE las puertas y ventanas estén abiertas.

Coloque el motor en un área bien ventilada y considere cuidadosamente las corrientes de viento y aire al posicionar el motor.

CARACTERÍSTICAS Y CONTROLES



- | | |
|------------------------------|---|
| 1 Válvula de evaporación | 8 Silenciador |
| 2 Manguera de evapor | 9 Tapa del depósito de combustible |
| 3 Cubierta del filtro vacío | 10 Depósito de Combustible (Si está equipado) |
| 4 Palanca del acelerador | 11 Palanca de nivel de aceite |
| 5 Interruptor de combustible | 12 Motor de arranque con motor de arranque |
| 6 Arranque Retráctil | 13 Interruptor APAGADO/ENCENDIDO |
| 7 Palanca de Cebador | |

FUNCIONAMIENTO

Lista de comprobación de funcionamiento

Lugar de funcionamiento

- Sólo utilice en el EXTERIOR y coloque el motor en un área bien ventilada y considere cuidadosamente las corrientes de viento y aire.
- Coloque el motor en una superficie nivelada antes de cualquier funcionamiento.
- Permita un espacio libre de dos pies en todos los lados del motor durante el funcionamiento.



PELIGRO:

VAPORES TÓXICOS

El escape del motor contiene monóxido de carbono, un gas inodoro, incoloro y venenoso. ¡Usar el motor en interiores PUEDE MATAR!

NUNCA use dentro de cualquier edificio o cualquier tipo de cerramiento, AUNQUE las puertas y ventanas estén abiertas. Coloque el motor en un área bien ventilada y considere cuidadosamente las corrientes de viento y aire al posicionar el motor.

Gran Altitud

Este motor tendrá un rendimiento adecuado del motor y control de emisiones cuando se opera a una altitud de 5000 pies (1524 metros). Este motor requiere un kit de carburador de alta altitud para asegurar un rendimiento adecuado del motor y control de emisiones cuando se opera a alturas superiores a 5000 pies (1524 metros). Utilizar el motor con una configuración incorrecta del motor por encima de 5000 pies (1524 metros) puede aumentar sus emisiones y disminuir la eficiencia y el rendimiento del combustible. Para obtener un kit de carburador de alta altitud, comuníquese con el Grupo FNA en CRXservice@Fna-Group.com o 1-833-279-3646.

PRECAUCIÓN:

La funcionamiento del motor con un kit de carburador de alta altitud a una altitud inferior a 5000 pies (1524 metros) puede causar que el motor se sobrecaliente y resulte en serios daños al motor.

Condiciones de funcionamiento

- Compruebe si hay piezas sueltas o dañadas, signos de fugas de aceite o combustible y cualquier otra condición que pueda afectar el funcionamiento correcto.
- Repare o reemplace todas las piezas dañadas o defectuosas inmediatamente.

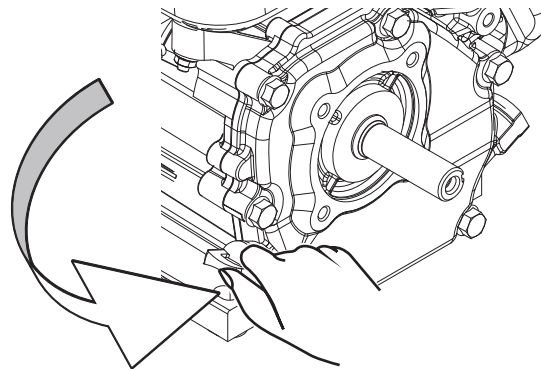
ADVERTENCIA:

Si no se corrigen los problemas antes del funcionamiento, se pueden producir daños materiales, lesiones graves o MUERTE.

- Retirar cualquier exceso de suciedad o escombros, especialmente alrededor del silenciador y el arrancador de retroceso.
- Refiérase a las instrucciones de funcionamiento del equipo que este motor impulsa. No utilice este motor en una superficie inclinada mayor de 15° en ninguna dirección.

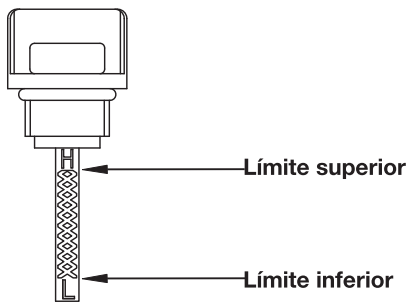
Aceite de motor

- Coloque el motor en una superficie nivelada con el motor parado.
- Quitar la varilla de medición y limpiarla.



Quitar la varilla de medición

- Reinstale la varilla medidora en el agujero; descanse en el cuello de llenado de aceite, NO enrosque la tapa en el agujero.
- Vuelva a retirar la varilla de medición y compruebe el nivel de aceite. El nivel debe estar en la parte superior del indicador en la varilla medidora.



Tira reactiva

- Rellenar hasta el límite superior de la varilla con el aceite recomendado si el nivel de aceite es bajo.
- Vuelva a instalar y apriete completamente la varilla medidora.
- Daños en el motor podrían ser el resultado de una lubricación insuficiente. Consulte la instrucción **añadir aceite** en **MANTENIMIENTO** para más información.
- Consulte las **ESPECIFICACIONES** para la capacidad de aceite y el tipo de aceite; Página 10.

⚠ ADVERTENCIA:

Este motor no viene lleno de aceite en fábrica. Cualquier intento de activar o arrancar el motor antes de que se haya llenado correctamente con el tipo y la cantidad recomendados de aceite puede ocasionar daños al motor y anular la garantía.

⚠ ADVERTENCIA:

El aceite es un factor importante que afecta el rendimiento y la vida útil. Use aceite detergente para automóviles de 4 tiempos recomendado en la sección **MAINTENANCE** de este manual.

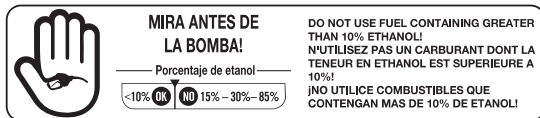
Combustible del motor

- Con el motor parado, revisar el indicador de nivel de combustible. Rellene el depósito de combustible si es necesario.

⚠ PRECAUCIÓN:

La presión puede acumularse en el tanque de combustible. Deje que el motor se enfríe durante al menos dos minutos antes de retirar la tapa de combustible. Afloje lentamente la tapa del depósito de combustible para aliviar cualquier presión en el tanque.

- Use gasolina limpia, fresca y regular sin plomo con un octanaje mínimo de 87 octanos. NO mezcle aceite con gasolina o use gasolina de más de 30 días. NO use gasolina que contenga más del 10% de alcohol etílico. Los E15, E20 y E85 NO son combustibles aprobados y NO deben usarse.
- Asegúrese de no llenar el depósito de combustible por encima de la marca del límite superior. Deje siempre espacio para la expansión del combustible.
- Ver las **ESPECIFICACIONES** para la capacidad de combustible (nominal); Página 10.

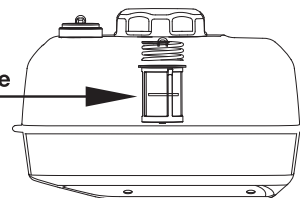


IMPORTANTE: Ethanol Shield™ (se vende por separado) es un estabilizador de combustible que ayuda a eliminar y prevenir problemas relacionados con el etanol en los equipos de potencia. Siga las instrucciones del contenedor y añada a la gasolina.

— Porcentaje de Etanol — **AVISO:** El uso de combustibles con más del 10% de etanol no está aprobado para su uso en este producto según las regulaciones de la EPA y dañará la unidad y anulará la garantía.

<10% OK NO 15% - 30% - 85%

Posición MÁXIMA de adición de combustible



⚠ ADVERTENCIA:

No llene el depósito de combustible por encima del nivel máximo de combustible.



⚠ PELIGRO:

FUEGO O EXPLOSIÓN

La gasolina es altamente inflamable y extremadamente explosiva. El fuego o la explosión pueden causar quemaduras graves o la muerte. Mantenga alejados los artículos inflamables mientras manipula la gasolina. Llène el tanque de combustible al aire libre y en un área bien ventilada con el motor parado. Limpie siempre el combustible derramado y espere hasta que se seque antes de arrancar el motor. NO utilice el motor con fugas conocidas en el sistema de combustible. Use procedimientos adecuados de almacenamiento y manejo de combustible. NO almacene combustible u otros materiales inflamables cerca. Vacíe el tanque de combustible antes de almacenar o transportar este motor. Tenga a mano el extintor de incendios y prepárese si se inicia un incendio.

NUNCA use productos limpiadores de motor o carburador en el tanque de combustible o daños permanentes pueden ocurrir. Es importante evitar que se formen depósitos de goma en las piezas esenciales del sistema de combustible, como el carburador, el filtro de combustible, la manguera de combustible o el tanque durante el almacenamiento. Además, la experiencia indica que los combustibles mezclados con alcohol (llamados gasohol, etanol o metanol) pueden atraer humedad, lo que lleva a la separación y formación de ácidos durante el almacenamiento. El combustible ácido puede dañar el sistema de combustible de un motor mientras está almacenado. Asegúrese de revisar las instrucciones que aparecen en "Almacenamiento" en la página 9. Mezclas de gasolina/alcohol: hasta 10% de alcohol, 90% de gasolina sin plomo en volumen está aprobado como combustible. Otras mezclas de gasolina/alcohol no están aprobadas. Los efectos del combustible viejo, rancio o contaminado no son justificables.

⚠ PRECAUCIÓN:

Para minimizar los depósitos de goma en su sistema de combustible y asegurar un arranque fácil, no use gasolina sobrante de la temporada anterior

Comprobación del equipo

Revise las instrucciones proporcionadas por el fabricante del equipo para conocer las precauciones y procedimientos que deben seguirse antes de arrancar el motor.

⚠ ADVERTENCIA:

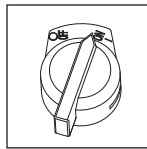
Este motor está diseñado y fabricado para aplicaciones específicas. No intente modificar el equipo ni utilizarlo para ninguna aplicación para la que no haya sido diseñado. Si tiene preguntas acerca de aplicaciones específicas, comuníquese con el Grupo FNA a CRXservice@Fna-Group.com o 1-833-279-3646.

Arranque del motor

1. Realizar **LISTA DE COMPROBACIÓN Y FUNCIONAMIENTO** (Página 4).
2. Deslice el interruptor de combustible a la posición ON.



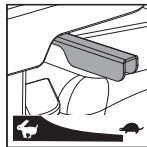
3. Enciende el interruptor de encendido/apagado a la posición ON.



4. Deslice la palanca del estrangulador hasta la posición del estrangul.



5. Mueva la palanca de mariposa a la posición rápida.



6. Para el arranque eléctrico, consulte el manual de su equipo.
7. Para arrancar manualmente el motor, primero gire el interruptor a ON (consulte el manual de su equipo). Agarre el mango del inicio del retroceso y tire lentamente hasta que se sienta la resistencia. Tire rápidamente para evitar el kickback.

⚠ ADVERTENCIA:

Revise las condiciones del cable de arranque antes de Utilizar. Reemplácelo inmediatamente si el cable está deshilachado.



⚠ ADVERTENCIA:

RETROCESO/CONTRAGOLPE

La retracción rápida del cable de arranque empujará su mano y brazo hacia el motor más rápido de lo que usted puede soltar. Los arranques accidentales pueden resultar en enredo, amputación traumática o laceración. Podrían romperse huesos, fracturas, moretones o torceduras.

8. Cuando el motor esté funcionando, deslice la palanca del estrangulador nuevamente a la posición RUN.



Nota: Si el motor está caliente, no hay necesidad de utilizar el cebador.

9. Deje que el motor se caliente de 1 a 2 minutos antes de usar este producto.

⚠ ADVERTENCIA:

Siempre utilice el motor en una superficie nivelada. Superficie inclinada más de 15° puede hacer que el motor se vuelque y provocar daños materiales, lesiones graves o MUERTE.

Detener el motor

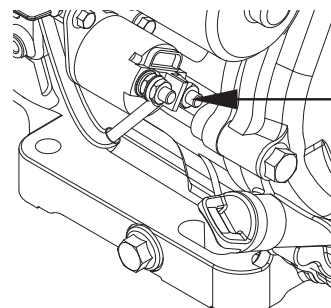
1. Si es posible, retire la (s) carga (s) del motor.
2. Permitir que el motor funcione sin carga durante unos minutos para estabilizar las temperaturas internas del motor.
3. Gire el interruptor a OFF (consulte el manual de su equipo).
4. Gire el interruptor de combustible a la posición OFF.

Aplicación terminal

El arrancador del motor requiere que el sistema eléctrico arranque o se alimente mediante una batería de 12 voltios (V) con una capacidad mínima de 14 amperioshora (Ah). Conecte el cable positivo (+) de la batería al terminal positivo del relé del arrancador. Conecte el cable negativo (-) de la batería a un perno de montaje del motor, al marco conductor que soporta el motor o a cualquier otro punto de puesta a tierra del motor.

⚠ CAUTION:

NO conecte el cable negativo (-) de la batería a la base de montaje del filtro de aceite ni a ninguna parte del sistema de combustible.



Terminal positivo

MANTENIMIENTO

Un taller de reparaciones o una persona elegida por el propietario puede mantener, reemplazar o reparar dispositivos y sistemas de control de emisiones; sin embargo, los reemplazos o reparaciones bajo garantía deben ser realizados por un centro de distribución o servicio de FNA. Para obtener información sobre cómo realizar un reclamo de garantía o hacer arreglos para reparaciones autorizadas, comuníquese con el Grupo FNA en CRXservice@Fna-Group.com o 1-833-279-3646.

Es responsabilidad del propietario/operario completar todo el mantenimiento programado de manera oportuna. Corrija cualquier problema antes de utilizar el motor. Siga siempre las recomendaciones y programas de inspección y mantenimiento de este manual. Antes de dar servicio al motor, detenga el motor, desconecte la batería (si está incluida) y deje que el motor se enfríe.

⚠ ADVERTENCIA:

El mantenimiento inadecuado o la falta de corrección de un problema antes del funcionamiento puede causar un mal funcionamiento y resultar en daños a la propiedad, lesiones graves o MUERTE.
Un mantenimiento inadecuado puede anular la garantía.



⚠ PELIGRO:

Los arranques accidentales pueden causar lesiones graves o la muerte. Retire y conecte a tierra el cable de la bujía antes de realizar cualquier servicio.

⚠ PRECAUCIÓN:

El elemento filtrante puede contener hidrocarburos poli aromáticos (HAP). Los HAP son nocivos para la salud. Use guantes para protegerse durante el mantenimiento del filtro de aire.

Programa de mantenimiento

Siga los intervalos de servicio indicados en la tabla siguiente. En condiciones adversas, tales como polvo excesivo o escombros en el aire, alta humedad, altas vibraciones, calor intenso o luz solar.

		Cada vez que se utiliza antes de su uso	El primer mes o 10 horas <small>Nota 2</small>	Cada tres meses o 50 horas <small>Nota 2</small>	Cada seis meses o 100 horas <small>Nota 2</small>	Cada año o 300 horas <small>Nota 2</small>
Aceite de motor	Inspección	√				
	Sustitución		√		√	
Filtro de aire	Inspección	√				
	Limpieza			√ <small>Nota 3</small>		
Bujía de encendido	Inspección y ajuste				√	
	Sustitución					√
Parachispas <small>Nota 1</small>	Limpieza				√	
Velocidad en vacío	Inspección y ajuste					√ <small>Nota 4</small>
Holgura de la válvula	Inspección y ajuste					√ <small>Nota 4</small>
Recipiente para Carbono <small>Nota 1</small>	Inspección	Cada dos años <small>Nota 4</small>				
Tubo de carbón <small>Nota 1</small>	Inspección	Cada dos años <small>Nota 4</small>				
Tubo de ventilación de aceite evaporativo	Inspección	Cada dos años <small>Nota 4</small>				

Nota 1: Reemplazar si está dañado.

Nota 2: Antes de cada temporada y después de cada temporada (lo que suceda primero).

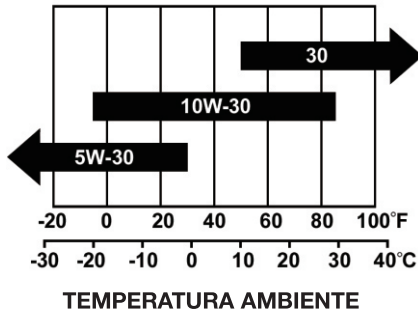
Nota 3: Servicio con más frecuencia bajo condiciones severas, polvorientas y sucias.

Nota 4: Para ser realizado por propietarios expertos y con experiencia o por el distribuidor autorizado.

Mantenimiento General

Aceite de motor

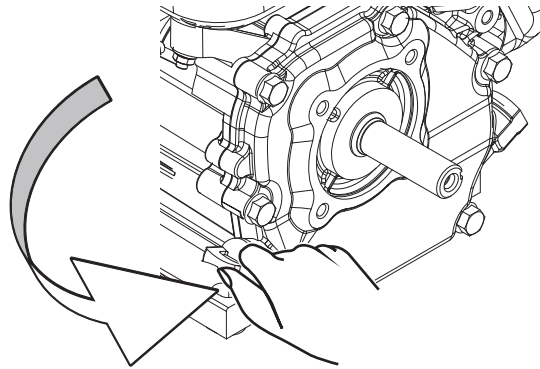
Se recomienda el SAE 10W-30 para uso general a todas las temperaturas. Otras viscosidades mostradas en la tabla pueden ser usadas cuando la temperatura promedio en su área está dentro del rango indicado.



Ver especificaciones para la capacidad nominal del aceite; Página 10.

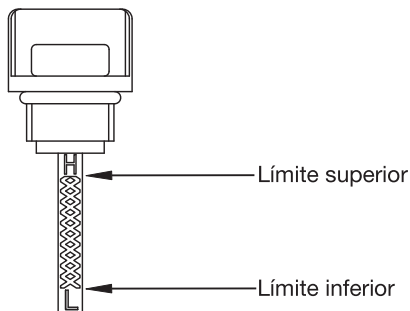
Añadir Aceite

1. Coloque el motor en una superficie nivelada.
2. Quitar la varilla de medición y limpiarla.



Quitar la varilla de medición

3. Añadir el aceite recomendado al límite superior.



Tira reactiva

4. Apretar bien la varilla de medición.

Cambio de Aceite

⚠ PRECAUCIÓN:

Cambie el aceite cuando el motor esté caliente.

1. Coloque el motor en una superficie nivelada.
2. Limpiar el área alrededor de la varilla de medición y el tapón de drenaje.
3. Quitar la varilla de medición de aceite.
4. Quitar el tapón de drenaje de aceite y dejar que el aceite drene completamente.
5. Reinstale y apriete completamente el tapón de drenaje.

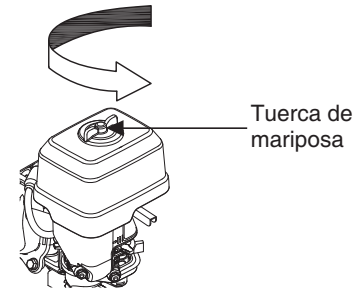
6. Ver **ESPECIFICACIONES** (página 10) para el aceite clasificado; Rellenar hasta el límite superior. Vuelva a instalar y apriete completamente la varilla.
7. Eliminación del aceite usado en una instalación de gestión de residuos aprobada.

⚠ ADVERTENCIA:

El motor no se llena de aceite en fábrica. Cualquier funcionamiento antes de que se haya llenado correctamente con el tipo y la cantidad recomendados de aceite puede ocasionar daños en el motor y anular la garantía.

Filtro de aire

1. Desenrosque la tuerca. Retire la tapa del filtro de aire.



Retirar la tapa del filtro de aire

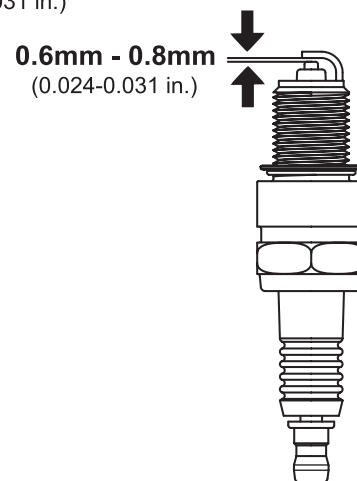
2. Eliminar el elemento filtro.
3. Limpie la suciedad interna y los desechos.
4. Reemplazar el filtro.
5. Vuelva a instalar el filtro de cobertura de aire, apriete la tuerca.

⚠ ADVERTENCIA:

NO haga funcionar el motor sin el filtro de aire. Puede ocasionar daños graves al motor sin el filtro de aire.

Bujía de encendido

1. Quitar la tapa de la bujía de encendido de la misma.
2. Limpiar la suciedad de la tapa de la bujía y de la base de la bujía.
3. Utilice una llave tubular para aflojar y retirar la bujía.
4. Inspeccione la bujía de encendido y la arandela de bujía. Si están dañados o desgastados, sustitúyalos por uno nuevo. Limpie la bujía de encendido con un cepillo de alambre si es posible reutilizarla.
5. Revise la bujía de encendido. Doble cuidadosamente el electrodo lateral para ajustar la separación si es necesario.
Separación entre bujías de encendido: 0,6 mm - 0,8 mm (0.024-0.031 in.)



Comprobar la distancia entre bujías de encendido

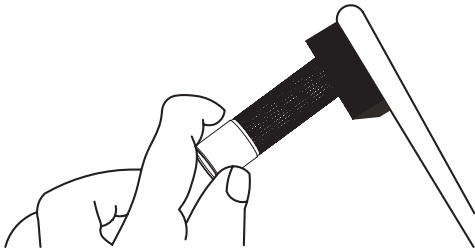
6. Enroscar cuidadosamente el tapón en el motor a mano.
7. Después de que se siente la bujía, use una llave de mano para apretarla a 15-18 ft. lb. (20-25 N.m)
8. Conecte la tapa de la bujía de encendido a la bujía.

⚠ ADVERTENCIA:

Sólo utilice la bujía recomendada o equivalente. No utilice una bujía con un rango de calor inadecuado. Pueden producirse daños en el motor.

Amortiguador de Bujías (Tipos aplicables)

1. Permita que el motor se enfríe completamente antes de dar servicio al amortiguador de Bujías.
2. Quitar los dos tornillos que sujetan la placa de cubierta que retiene el extremo del apagaBujías al silenciador.
3. Quitar la pantalla del protector de Bujías.
4. Quitar con cuidado los depósitos de carbón de la rejilla del amortiguador de Bujías con un cepillo de alambre.
5. Reemplazar el protector de Bujías si está dañado.
6. Reinstale el protector de Bujías en el silenciador y fíjelo con los dos tornillos.



Depósitos de carbono limpios

Velocidad en vacío

La velocidad de ralentí se ha preajustado en fábrica y rara vez debería requerir un reajuste.

⚠ ADVERTENCIA:

Un ajuste incorrecto del ralentí dañará el motor y anulará la garantía.

Ajuste

Excepto tal como se describe en este manual, no se requiere mantenimiento o ajuste adicional para su motor.

Ajustes o manipulaciones incorrectas pueden dañar el motor y el equipo y anulará la garantía.

⚠ ADVERTENCIA:

La manipulación del regulador de fábrica dañará el motor y anulará la garantía.

Si su motor no está funcionando correctamente o si hay piezas faltantes o rotas, por favor no lo devuelva al lugar de compra. Póngase en contacto con nuestro departamento de servicio al cliente al 1-833-279-3646 o CRXservice@Fna-Group.com.

ANÁLISIS Y SOLUCIÓN DE PROBLEMAS

Fenómeno	Problemas	Soluciones
El motor no se puede arrancar.	El interruptor APAGADO/ENCENDIDO está en la posición APAGADO .	Colocar el interruptor APAGADO/ENCENDIDO en la posición ENCENDIDO .
	No hay combustible.	Llene el tanque según las instrucciones de este manual.
	Aceite de motor inadecuado.	Comprobar el nivel de aceite. El motor no se puede arrancar a menos que el nivel de aceite esté por encima del límite inferior prescrito.
	No hay encendido.	Utilizando un comprobador de chispa externo, asegúrese de que el cilindro tiene la chispa adecuada. Si la chispa es débil o falta por completo, póngase en contacto con su distribuidor de servicio autorizado local.

ALMACENAMIENTO

Siga las instrucciones siguientes para un almacenamiento a largo plazo si el motor estará fuera de servicio durante 30 días o más.



⚠ PELIGRO:

FUEGO O EXPLOSIÓN

La gasolina es altamente inflamable y extremadamente explosiva.

Vaciar el depósito de combustible antes de almacenar o transportar el motor.

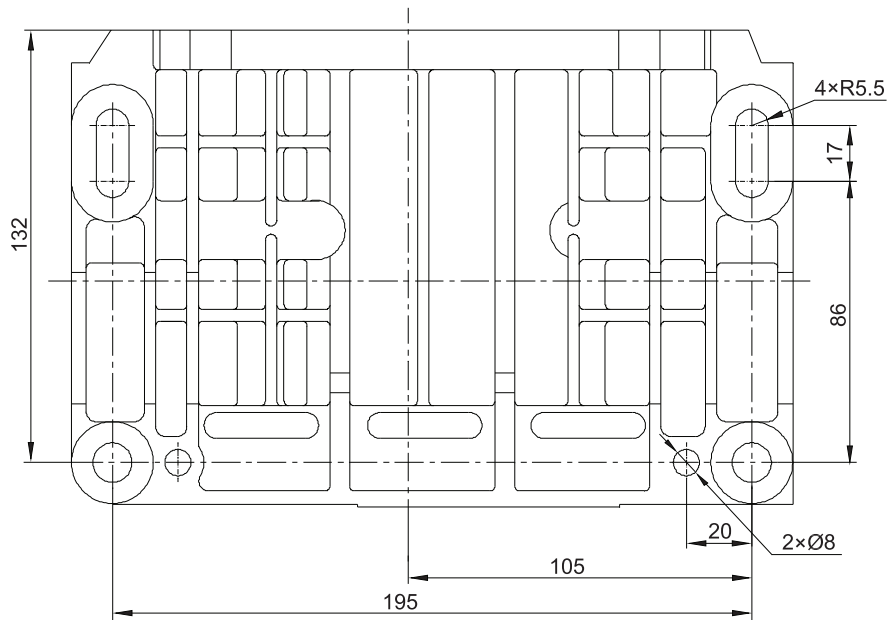
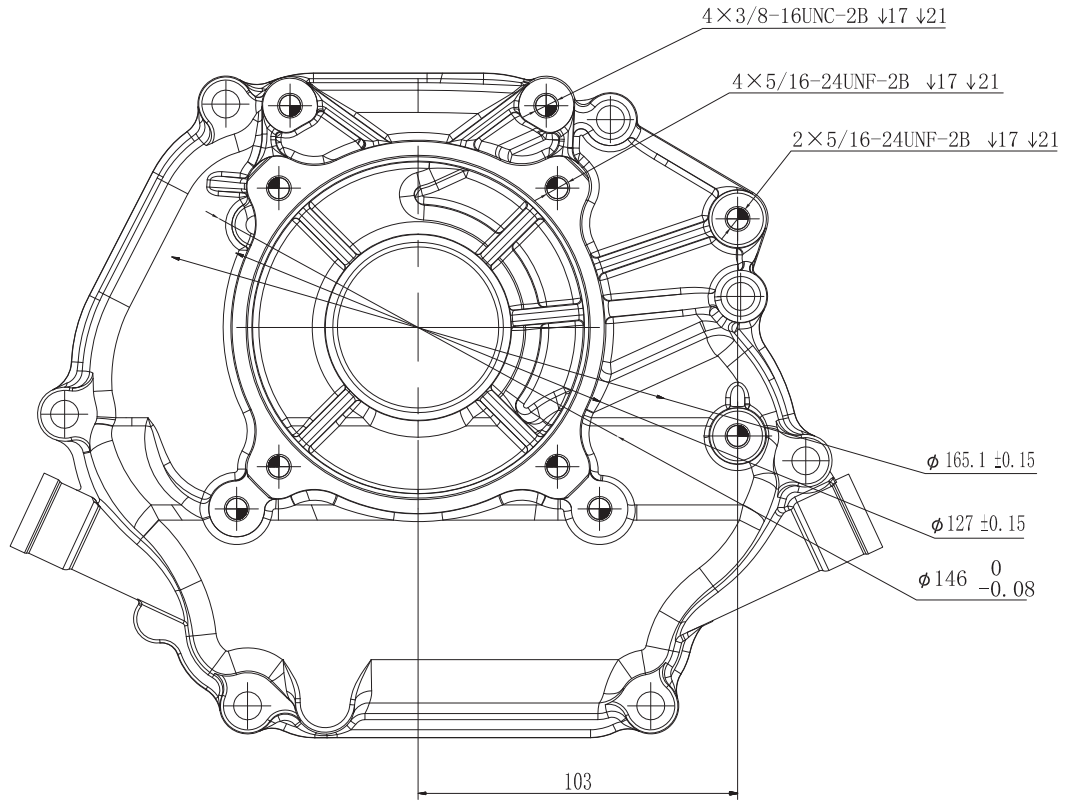
1. Cambie el aceite mientras el motor está todavía caliente.
2. Entonces deje que el motor se enfríe completamente.
3. Drenar completamente todo el combustible del tanque de combustible, manguera de combustible y carburador.
4. Quitar la bujía y verter aproximadamente 1 oz. de aceite de motor en el cilindro. Reinstale la chispa también. Arranque el motor lentamente para distribuir el aceite y lubricar el cilindro.
5. Limpiar el motor según las instrucciones de la sección Mantenimiento.
6. Guardar la unidad en un lugar limpio y seco, sin luz solar directa.

ESPECIFICACIONES

Tabla de parámetros de especificación

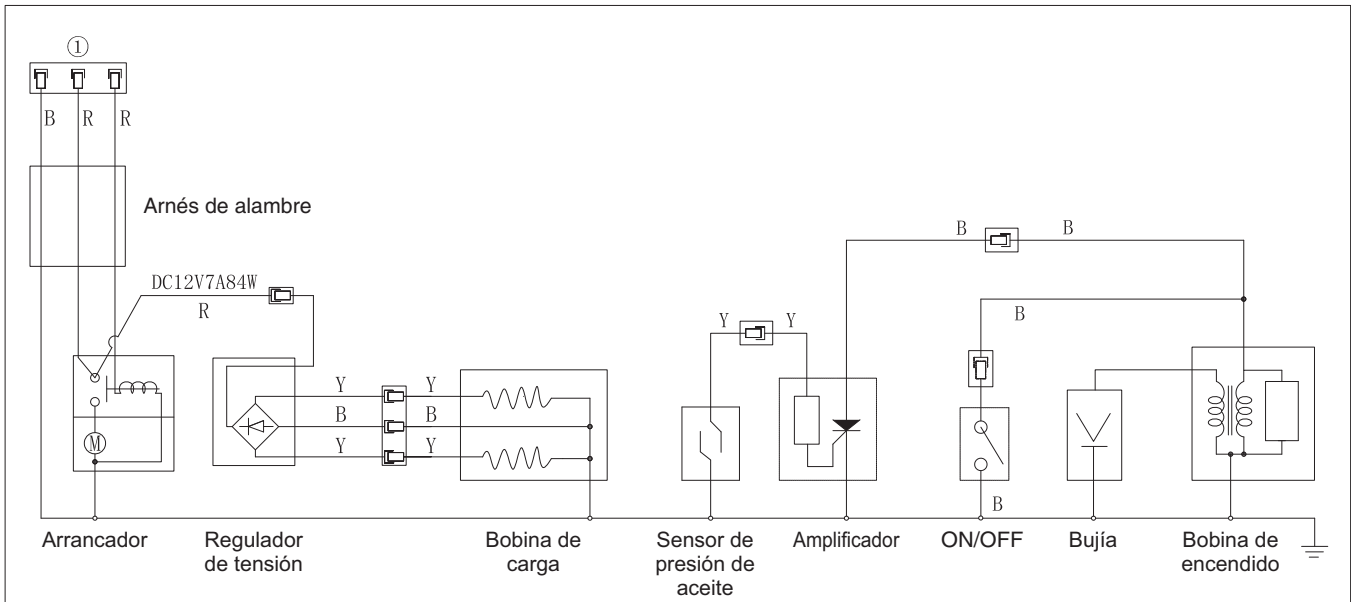
Categoría	Artículo	CRX420
Principales parámetros de la estructura	Disposición de la válvula	Válvula superior (Motor OHV)
	Número de cilindros	1
	Diámetro del cilindro (mm)	90
	Recorrido del pistón (mm)	66
	Desplazamiento total (cm ³)	420
	Índice de compresión	9.0:1
	Potencia nominal por SAE J1349 unidad de potencia neta (Kw/ RPM)	9.0/3600
	Sentido de giro	En sentido antihorario/en sentido contrario a las agujas del reloj (desde el lado de salida del cigüeñal)
	Ángulo de avance de encendido	30°±2°
	Holgura de la válvula	Espacio libre de la válvula de admisión (mm)
Espacio libre de la válvula de emisión (mm) escape		0.006 – 0.008" (0.15 – 0.20mm)
	La brecha de la chispa	0.024 – 0.031" (0.6 – 0.8mm)
Combustible y aceite lubricante	Tipo de aceite del motor	SAE 10W-30 API SG or newer
	Entregade combustible	Carburador
	Capacidad del depósito de combustible (L)	1.59 gal (6.0L)
	Capacidad del aceite lubricante (L)	39oz (1.1L)
Dimensión y masa	Dimensiones (Longitud x Ancho x Altura) (mm)	17.95 x 13.98 x 18.07" (456 x 355 x 459mm)
	Peso (neto)	73.9 lbs. (33.5Kg)

CRX420



Todas las dimensiones están en milímetros (mm) a excepción de los callos del hilo.

Diagrama de circuitos del motor



Puerto	Tipo de puerto de alimentación	Tipo de puerto Terminal	Nota	Explicación
①	HD034Y-7.8-21	B	Puerto de potencia para el motor de arranque	Conecte el cátodo de la fuente de alimentación de 12V DC
		R	Puerto de potencia para el motor de arranque	Conéctese al ánodo de fuente de alimentación de 12V DC, que es el puerto de entrada de alimentación para el arranque eléctrico y el puerto de salida de carga (DC12V/7A/84W).
		R	Inicie el puerto de manipulación del relé	Conecte el puerto al ánodo de la fuente de alimentación de 12V a través de flip el interruptor para controlar el relé fue encendido por los dos contactos del sitio de control.

GARANTÍA LIMITADA

3 GARANTÍA COMERCIAL LIMITADA DE 3 AÑOS

TÉRMINOS DE LA COBERTURA DE GARANTÍA:

El fabricante de este producto acepta reparar o reemplazar las piezas designadas que se demuestren defectuosas dentro del período de garantía enumerado más abajo, a la sola discreción del fabricante. Se aplican limitaciones / extensiones y exclusiones específicas.

Esta garantía abarca defectos en el material y la mano de obra y no fallos en las piezas debido al desgaste normal, depreciación, abuso, daño accidental por deterioro químico, acumulación de incrustaciones, corrosión por óxido o expansión térmica, negligencia, uso indebido, mantenimiento, calidad del agua o almacenamiento. Para hacer un reclamo respecto a los términos de la garantía, todas las piezas que se consideren defectuosas deben conservarse y estar disponibles para su devolución, previa petición, a un Centro de Servicio de Garantía designado para la inspección de garantía. Los juicios y decisiones del fabricante sobre la validez de los reclamos de garantía son definitivos.

Estas garantías pasan al usuario final y no son transferibles. Como un Centro de Servicio de Garantía autorizado y capacitado por la fábrica, la fábrica honrará los términos de todas las garantías de los componentes y atenderá los reclamos de las provisiones de garantía correspondientes.

Los elementos de desgaste normal incluyen, pero no limitándose a, bujías, ajustes del carburador, ajustes de encendido, filtros, cambios de aceite, cables del arrancador de retroceso, escobillas del motor eléctrico, clavijas, juntas, válvulas, pistones o cualquier otra pieza que se considere elemento de desgaste, que no están cubiertos por la garantía. La garantía arriba mencionada es exclusiva y en lugar de cualquier otra garantía, ya sea escrita, oral, expresa o implícita. No existen garantías de comerciabilidad o idoneidad de ningún producto para un fin específico. La única responsabilidad del Grupo FNA será reparar o reemplazar piezas como se mencionó antes. El Grupo FNA no se hará responsable en ningún caso de pérdidas o daños que sean indirectos, consecuentes, punitivos, especiales, ejemplares o por pérdida económica, pérdida comercial, pérdida de ingresos, pérdida de beneficios o pérdida de oportunidades comerciales, con independencia de que esa responsabilidad se base en ruptura de contrato, agravio, responsabilidad estricta, violación de garantías, incumplimiento de un fin esencial o de otro tipo, o sea un resultado directo de las propias acciones o inacciones del Grupo FNA. Algunos estados no permiten limitar la duración de una garantía implícita, por lo que la limitación anterior podría no aplicarse en su caso.

El Grupo FNA no asume ninguna responsabilidad por daños incidentales, consecuenciales u otros, incluyendo pero no limitándose a, gastos relacionados con el transporte del producto hacia o desde un servicio autorizado, tiempo de viaje de un mecánico, cargos telefónicos o de comunicación, alquiler de un producto similar mientras se está llevando a cabo el servicio de garantía, cualquier otro tiempo o gasto de viaje, pérdida o daño a la propiedad personal, pérdida de ingresos, pérdida de uso del producto, pérdida del tiempo o cualquier otro inconveniencia. Dado que algunos estados no permiten la exclusión o limitación de daños incidentales o consecuenciales, la limitación o exclusión arriba mencionada puede no ser aplicable a usted.

Esta garantía se ofrece en lugar de todas las otras garantías,

expresas o implícitas, incluyendo sin limitación cualquier garantía de comerciabilidad o aptitud para un fin en particular y, por la presente, la totalidad de tales garantías queda denegada y excluida por el fabricante. La obligación de garantía del fabricante está limitada a la reparación y reemplazo de productos defectuosos aquí dispuestos, y el fabricante no se hará responsable por ninguna pérdida, daño o gasto adicional - incluidos daños por envío, accidentes, abuso, casos de fuerza mayor, uso indebido o negligencia. Tampoco asumirá ninguna responsabilidad por daños que se deriven de reparaciones con piezas no compradas al fabricante o alteraciones efectuadas por personal no autorizado por la fábrica. De no instalar y operar el equipo según las directrices definidas en el manual de instrucciones, se anulará la garantía.

RESPONSABILIDAD DEL COMPRADOR ORIGINAL (USUARIO INICIAL):

Para procesar un reclamo de garantía, informe la cuestión al 1-833-279-3646 o CRXservice@Fna-Group.com para solicitar autorización y dirección al centro de servicio autorizado más cercano en su área.

Conserve el recibo de venta de caja registradora original como justificante de compra para el servicio de garantía.

Tenga cuidado razonable en la operación y mantenimiento del producto, tal como se especifica en el(los) Manual(es) del Propietario.

DECLARACIÓN DE GARANTÍA FEDERAL SOBRE EL CONTROL DE EMISIONES DE ESCAPE Y EVAPORACIÓN

SUS DERECHOS Y OBLIGACIONES DE GARANTÍA

La Agencia de Protección Ambiental de los Estados Unidos (EPA) y el Grupo FNA (FNA) se complacen en explicar la garantía del sistema de control de emisiones de escape y evaporación ("emisiones") para su pequeño motor todoterreno o equipo (SORE) de 2024. Los nuevos equipos que utilizan pequeños motores todoterreno deben estar diseñados, construidos y equipados para cumplir las estrictas normas anti-contaminación del Estado. FNA debe garantizar el sistema de control de emisiones en su SORE durante el período de tiempo enumerado abajo siempre que no haya abuso, negligencia ni mantenimiento inadecuado de su pequeño motor todoterreno o equipo que resulte en la falla del sistema de control de emisiones.

Su sistema de control de emisiones puede incluir piezas como el carburador o el sistema de inyección de combustible, el sistema de encendido, el convertidor catalítico, los tanques de combustible, las líneas de combustible (para combustible líquido y vapores de combustible), las tapas de combustible, las válvulas, los depósitos, los filtros, las abrazaderas y otros componentes asociados. También pueden incluirse las mangueras, las correas, los conectores y otros conjuntos relacionados con las emisiones.

Donde exista una condición cubierta por la garantía, FNA reparará su SORE sin costo para usted por el diagnóstico, las piezas y la mano de obra.

COBERTURA DE GARANTÍA DEL FABRICANTE:

Este sistema de control de emisiones de escape y evaporación en su SORE está garantizado por dos años. Si cualquier pieza de su SORE relacionada con las emisiones está defectuosa, esta pieza será reparada o reemplazada por FNA.

RESPONSABILIDADES DE LA GARANTÍA DEL PROPIETARIO:

Como propietario del SORE, usted es responsable de realizar el mantenimiento requerido tal como se enumera en su manual del propietario. FNA recomienda que usted conserve todos los recibos que cubren el mantenimiento sobre su SORE, pero FNA no puede anular la garantía únicamente por la carencia de recibos o por no asegurarse usted de la realización de todo el mantenimiento programado.

Como propietario del SORE, usted debe, sin embargo, ser consciente de que FNA puede anular su garantía si ha fallado su SORE o cualquier pieza debido al abuso, negligencia, mantenimiento inadecuado o modificaciones no aprobadas.

Es su responsabilidad presentar su SORE a un centro de distribución o centro de servicio de FNA tan pronto como se encuentre un problema. Las reparaciones de garantía deberán completarse en un tiempo razonable, sin exceder los 30 días.

Si tiene alguna pregunta sobre sus derechos y responsabilidades de garantía, debe ponerse en contacto con el **Grupo FNA** al **1-833-279-3646** o **CRXservice@Fna-Group.com**.

REQUISITOS DE GARANTÍA SOBRE DEFECTOS:

(a) Aplicabilidad. Esta sección se aplica a los sistemas de control de emisiones para pequeños motores todoterreno o equipos que utilizan pequeños motores todoterreno sujetos a las normas de emisiones que figuran en este Artículo. El período de garantía comenzará en la fecha en que el motor / equipo se entregue a un comprador final.

(b) Cobertura General de la Garantía de Emisiones. El motor o equipo debe estar garantizado al comprador final y a cada subsiguiente propietario de que, en el momento de la instalación, el sistema de control de emisiones ha sido:

- (1) Diseñado, construido y equipado para cumplir con todas las normativas aplicables; y
- (2) Libre de defectos en materiales y mano de obra que causen la falla de una pieza garantizada durante un período de dos años.

(c) La garantía de las piezas relacionadas con las emisiones se interpretará de la siguiente manera:

(1) Cualquier pieza garantizada que no esté programada para el reemplazo como mantenimiento requerido en las instrucciones escritas provistas con cada nuevo motor o equipo debe estar garantizada durante el período de garantía definido en la subsección (b)(2). Si falla cualquier pieza durante el período de cobertura de la garantía, deberá ser reparada o reemplazada por FNA según la subsección (4) de abajo. Cualquier pieza así reparada o reemplazada bajo la garantía deberá estar garantizada por un plazo no menor que el resto del período de garantía.

(2) Cualquier pieza garantizada que esté programada sólo para la inspección periódica en las instrucciones escritas provistas con cada nuevo motor o equipo debe estar garantizada durante el período de garantía definido en la subsección (b)(2). Una declaración en tales instrucciones escritas a efecto de "reparar o reemplazar según sea necesario" informará a los propietarios sobre la cobertura de la garantía para las piezas relacionadas con las emisiones. El reemplazo dentro del período de garantía está cubierto por la garantía y no reducirá el período de cobertura de la garantía. Cualquier pieza así reparada o reemplazada bajo la garantía deberá estar garantizada por un plazo no menor que el resto del período de garantía.

(3) Cualquier pieza garantizada que esté programada para el reemplazo como mantenimiento requerido en las instrucciones escritas provistas con cada nuevo motor o equipo debe estar garantizada durante el período de tiempo previo al primer punto de reemplazo programado para esa pieza. Si falla la pieza antes del primer reemplazo programado, debe ser reparada o reemplazada por el fabricante según la subsección (4) de abajo. Cualquier pieza así reparada o reemplazada bajo la garantía debe estar garantizada por un plazo no menor que el resto del período previo al primer punto de reemplazo programado para esa pieza.

(4) La reparación o reemplazo de cualquier pieza garantizada en virtud de las provisiones de garantía de este Artículo debe efectuarse, sin gasto alguno para el propietario, en una estación de garantía.

(5) No obstante lo dispuesto en la subsección (4) de arriba, los servicios de garantía o reparaciones deben proporcionarse en los centros de distribución franquiciados para dar servicio a los motores o equipos en cuestión.

(6) No se debe cobrar al propietario por el trabajo de diagnóstico que conduce a la determinación de que una pieza garantizada está de hecho defectuosa, siempre que dicho trabajo de diagnóstico se lleve a cabo en una estación de garantía.

(7) A lo largo del período de garantía del sistema de control de emisiones que se define en la subsección (b)(2), FNA debe mantener un suministro de piezas garantizadas suficiente para cumplir la demanda esperada para dichas piezas y debe obtener piezas adicionales en caso de agotarse ese suministro.

(8) Las piezas de recambio aprobadas por el fabricante que no aumenten las emisiones de escape o evaporación del motor o del sistema de emisiones de evaporación deben utilizarse en la realización de cualquier mantenimiento o reparación bajo garantía y deben suministrarse sin cargo alguno para el propietario. Dicho uso no reducirá las obligaciones de garantía de FNA.

(9) El uso de piezas adicionales o modificadas puede ser motivo de no aceptar un reclamo de garantía realizado conforme a este Artículo. FNA no será responsable de las fallas de garantía de las piezas garantizadas debido al uso de una pieza adicional o modificada.

(10) FNA deberá proporcionar todos los documentos que describan los procedimientos o políticas de garantía del fabricante dentro de cinco días hábiles posteriores a la solicitud del Director Ejecutivo.

(d) Una lista de todas las piezas de garantía de emisiones debe estar incluida con cada nuevo motor o equipo sujeto a este Artículo. La lista de piezas de garantía de emisiones deberá incluir todas las piezas cuya falla podría aumentar las emisiones de escape o evaporación, y comprende las piezas abajo (si es aplicable):

(1) Sistema de Medición de Combustible

- Carburador y piezas internas (y / o regulador de presión o sistema de inyección de combustible).
- Sistema de retroalimentación y control de relación aire / combustible.
- Sistema de enriquecimiento de arranque en frío.

(2) Sistema de Inducción de Aire

- Sistema de admisión de aire caliente controlado.
- Colector de admisión.
- Filtro de Aire.

(3) Sistema de Encendido

- Bujías.
- Sistema de encendido por magneto o electrónico.
- Sistema de avance / retardo de chispa.

(4) Sistema de Recirculación de Gases de Escape (EGR)

- Cuerpo de la válvula del EGR, y espaciador del carburador si procede.
- Sistema de retroalimentación y control de tasa del EGR.

(5) Sistema de Inyección de Aire

- Bomba de aire o válvula de impulso.
- Válvulas que afectan la distribución del flujo.
- Colector de distribución.

(6) Sistema Catalizador o Reactor Térmico

- Convertidor catalítico.
- Reactor térmico.
- Colector de escape.

(7) Controles de Partículas

- Trampas, filtros, precipitadores y cualquier otro dispositivo utilizado para capturar emisiones de partículas.

(8) Artículos Misceláneos Utilizados en los Sistemas Anteriores

- Válvulas e interruptores sensibles al vacío, temperatura y tiempo.
- Controles electrónicos.
- Mangueras, correas, conectores y conjuntos.

(9) Controles de Evaporación

- Tanque de Combustible
- Tapa de combustible
- Líneas de Combustible (para combustible líquido y vapores de combustible)
- Accesorios para Líneas de Combustible
- Abrazaderas**
- Válvulas de Alivio de Presión**
- Válvulas de Control**
- Solenoides de Control**
- Controles Electrónicos**
- Diafragmas de Control de Vacío**
- Cables de Control**
- Enlaces de control**
- Válvulas de Purga
- Juntas
- Separador de Líquido / Vapor
- Depósito de Carbono
- Soportes de Montaje del Depósito
- Conector del Puerto de Purga del Carburador

**Nota: En la medida en que se relacionan con el sistema de control de emisiones de evaporación.

Nota: Cualquier otra declaración de garantía aplicable a los motores o unidades de equipo no deberá limitar el período de garantía de emisiones (dos años) ni su aplicabilidad a los subsiguientes propietarios después del comprador final.



⚠ WARNING

Le présent produit et son gaz d'échappement peuvent vous exposer à des produits chimiques tels que le plomb, des composés de plomb et du monoxyde de carbone, qui sont reconnus par l'État de Californie comme les matériaux pouvant causer le cancer, des anomalies congénitales ou d'autres problèmes reproductifs. Pour plus d'informations, consultez sur www.P65Warnings.ca.gov.

Ce manuel regorge d'informations de sécurité et d'instructions importantes pour l'usage de ce moteur. **BIEN VOULOIR LIRE MINUTIEUSEMENT CE MANUEL.** Manquer de le faire pourrait entraîner des dégâts matériels et/ou des BLESSURES/MORT personnelles.

Fournir ce manuel à tout usager de ce moteur. Ce manuel doit faire permanentement partie intégrante de votre moteur et doit rester avec celui-ci lors de sa vente.

Les images et les figures dans le manuel doivent servir exclusivement de référence. Il est possible qu'il y ait des différences entre les images, les figures et le produit physique.

Table des matières

SÉCURITÉ DE L'USAGER.....	2
Règles de sécurité	2
CARACTÉRISTIQUES ET COMMANDES.....	4
FONCTIONNEMENT	4
Liste de contrôle d'exploitation.....	4
Emplacement d'exploitation	4
Condition d'opération	4
Huile moteur.....	4
Carburant moteur	5
Vérifier l'équipement	6
Démarrage du moteur.....	6
Arrêt du moteur.....	6
Application des bornes	6
ENTRETIEN.....	7
Calendrier d'entretien.....	7
Entretien général	8
Huile moteur.....	8
Ajouter de l'huile	8
Changer d'huile.....	8
Filtre à air	8
Bougie d'allumage	8
Pare-étincelles	9
Vitesse du ralenti.....	9
Réglage.....	9
ANALYSE DES PANNES ET DÉPANNAGE	9
STOCKAGE.....	9
SPÉCIFICATIONS.....	10
Tableau des paramètres de spécification.....	10
Dimension d'installation du couvercle de boîtier.....	11
Schémaélectriquedumoteur	12
GARANTIE LIMITÉE	13
GARANTIE DU SYSTÈME DE CONTRÔLE DES ÉMISSIONS.....	14

CONSERVER CES INSTRUCTIONS POUR UN USAGE ULTÉRIEUR

Toutes les informations contenues dans cette publication sont fondées sur les dernières informations concernant les produits disponibles au moment de l'impression. Nous nous réservons le

droit de modifier, altérer et/ou améliorer le produit et ce document à tout moment sans préavis et sans encourir aucune obligation. Noter le numéro de série du moteur et les informations liées à l'achat. Conserver ce manuel et le reçu pour référence ultérieure.

Modèle: _____

Numéro de série: _____

Date d'achat: _____

SÉCURITÉ DE L'USAGER

Règles de sécurité



Prendre garde de ce symbole d'alerte de sécurité. Respecter tous les messages de sécurité qui suivent ce symbole en vue d'éviter les dégâts matériels, les BLESSURES ou la MORT. Chaque message de sécurité est précédé d'un symbole d'alerte de sécurité et de l'un des trois mots suivants: DANGER, AVERTISSEMENT ou ATTENTION.

⚠ DANGER:

Indique une situation dangereuse qui, au cas où elle n'est pas strictement respectée, des dégâts matériels importants, des blessures graves ou la MORT pourront s'en suivre.

⚠ AVERTISSEMENT:

Indique une situation dangereuse qui, au cas où elle n'est pas strictement respectée, des dégâts matériels, des blessures graves ou la MORT peuvent s'en suivre.

⚠ ATTENTION

Indique une situation dangereuse qui, au cas où elle n'est pas strictement respectée, des dégâts matériels ou des blessures peuvent s'en suivre.



⚠ AVERTISSEMENT:

LIRE CE MANUEL COMPLÈTEMENT AVANT USAGE DU DISPOSITIF.

EVITER de faire fonctionner ce moteur avant d'avoir lu TOUTES les instructions de sécurité, de fonctionnement et d'entretien énumérées dans ce manuel. **Le non-respect des instructions peut entraîner des dégâts matériels, des BLESSURES ou la MORT.**

Les avertissements et précautions énumérés dans ce manuel ne peuvent pas couvrir toutes les conditions et situations possibles. L'usager est tenu de comprendre que le bon sens et la prudence sont des facteurs qui ne peuvent pas être intégrés dans ce produit, mais qui doivent être fournis par l'usager.

⚠ AVERTISSEMENT:

Vérifier qu'il n'y a pas de pièces desserrées ou endommagées, de signes de fuites d'huile ou de carburant et de toute autre condition pouvant affecter le bon fonctionnement avant chaque usage. Réparer ou remplacer immédiatement toutes les pièces endommagées ou défectueuses.

Localiser toutes les commandes de fonctionnement et les étiquettes de sécurité.

Conserver permanemment tous les dispositifs de sécurité en place et en bon état de fonctionnement.

EVITER de laisser tout matériau obstruer les fentes de refroidissement.

EVITER de laisser des enfants ou des personnes non formées actionner le moteur.

EVITER d'actionner le moteur sans surveillance. Éteindre le moteur avant de quitter la zone.



⚠ AVERTISSEMENT:

REBOND

Une rétraction rapide du cordon de démarrage entraînera votre main et votre bras vers le moteur plus vite que vous ne pouvez le laisser partir.

Les départs accidentels peuvent entraîner un enchevêtrement, une amputation traumatique ou une laceration.

Des os cassés, des fractures, des ecchymoses ou des entorses pourraient en résulter.



⚠ AVERTISSEMENT:

INCENDIE

Le fonctionnement de ce moteur peut créer des étincelles pouvant déclencher des incendies autour de la végétation sèche.

Ce moteur peut ne pas être équipé d'une silencieuse anti-étincelle. Au cas où le moteur doit être utilisé à proximité de matériaux inflammables ou sur des terrains recouverts de matériaux notamment des cultures agricoles, des forêts, des broussailles, de l'herbe ou d'autres éléments similaires, il est indispensable d'installer un pare-étincelles.

Dans certaines régions, un pare-étincelles est exigé par la loi. Bien vouloir contacter les services d'incendie locaux en vue de s'imprégner des lois ou règlements relatifs aux exigences de prévention des incendies.

⚠ AVERTISSEMENT:

Lire les instructions fournies avec l'équipement alimenté par ce moteur pour toutes les règles de sécurité supplémentaires qui doivent être respectées conjointement avec le démarrage du moteur, l'arrêt, l'usage ou les vêtements de protection pouvant être indispensables au fonctionnement de l'équipement.



⚠ AVERTISSEMENT:

SURFACE CHAUDE

Les moteurs produisent de la chaleur au cours du fonctionnement. Au contact, des brûlures graves peuvent survenir.

EVITER de toucher au moteur pendant le fonctionnement ou juste après l'arrêt. Éviter le contact avec les gaz d'échappement chauds.

Maintenir au moins trois pieds de dégagement de tous les côtés en vue de garantir un refroidissement adéquat.

Au contact, les matières combustibles peuvent s'enflammer. Au regard des matériaux combustibles, maintenir au moins cinq pieds de dégagement.

⚠ DANGER:

Ne touchez pas aux limitations de vitesse imposées par le moteur. Les vitesses de fonctionnement élevées sont dangereuses et augmentent le risque de dommages corporels ou matériels. Fonctionner à basse vitesse avec une charge élevée peut raccourcir la durée de vie du moteur.



⚠ DANGER:

INCENDIE OU EXPLOSION

L'essence est très inflammable et très explosive.

Un incendie ou une explosion est susceptible d'entraîner de graves brûlures ou la mort.

Se débarrasser des articles inflammables pendant la manipulation de l'essence.

Avec le moteur arrêté, remplir le réservoir de carburant à l'extérieur et dans un endroit bien ventilé.

Ne jamais oublier d'essuyer le carburant renversé et attendre que le carburant ait séché avant le démarrage du moteur.

En cas de fuites connues dans le circuit d'alimentation, EVITER de faire fonctionner le moteur.

Employer des procédures idoines de stockage et de manipulation du carburant. EVITER de stocker du carburant ou d'autres matériaux inflammables à proximité.

Avant d'entreposer ou de transporter ce moteur, vider le réservoir de carburant.

Au regard d'un éventuel incendie, garder l'extincteur à portée de main et rester sur ses gardes.



⚠ DANGER:

PIÈCES MOBILES

Les pièces mobiles sont susceptibles d'entraîner des blessures graves. Tenir les mains et les pieds éloignés.

Avec les couvercles, les carénages ou les protecteurs enlevés, EVITER de faire fonctionner le moteur.

EVITER d'arborer des vêtements amples, des cordons pendants ou des objets susceptibles d'accrochage. Nouer les cheveux longs et se débarrasser des bijoux.

STRICTEMENT EVITER de disposer les doigts, les mains ou le corps à proximité du moteur lorsque celui-ci est en période.



⚠ DANGER:

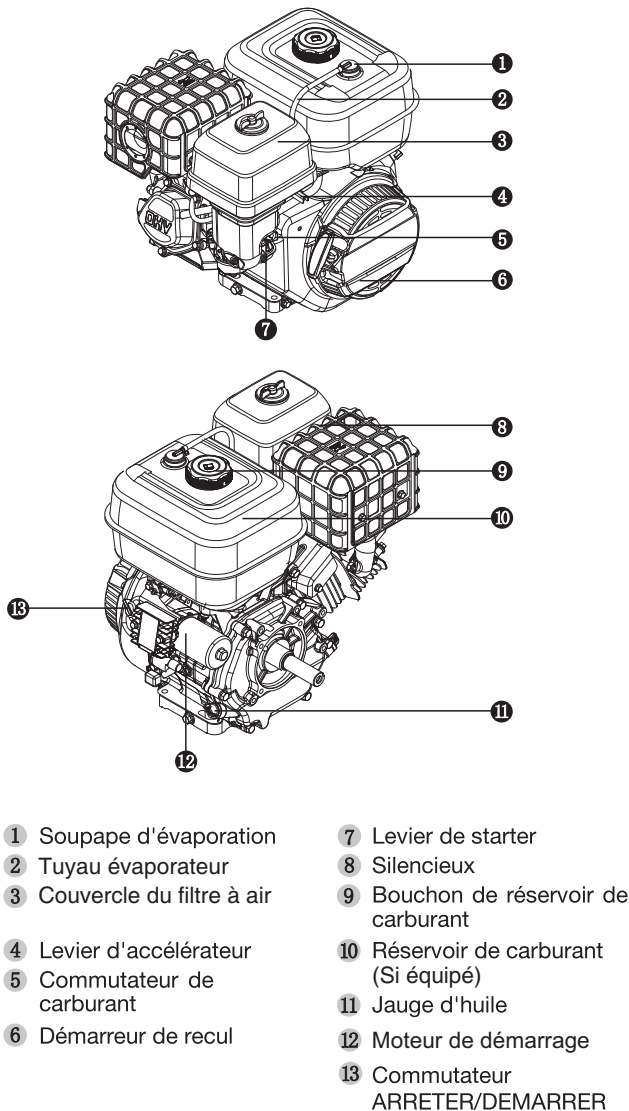
FUMÉES TOXIQUES

L'échappement du moteur regorge du monoxyde de carbone, un gaz toxique inodore et incolore. L'usage du moteur à l'intérieur PEUT VOUS TUER!

MÊME EN CAS d'ouverture des portes et des fenêtres, STRICTEMENT EVITER d'en faire usage à l'intérieur d'un bâtiment ou d'une sorte d'enceinte.

Lors du positionnement du moteur, disposer le moteur dans un endroit bien ventilé et prendre en considération les courants d'air et de vent.

CARACTÉRISTIQUES ET COMMANDES



FONCTIONNEMENT

Liste de contrôle d'exploitation

Emplacement d'exploitation

- Ne faire usage que de l'EXTÉRIEUR et disposer le moteur dans un lieu bien ventilé et prendre en considération les courants d'air et de vent.
- Disposer le moteur sur une surface plane avant tout usage.
- Pendant le fonctionnement, prévoir un espace de deux pieds de tous les côtés du moteur



⚠ DANGER:

FUMÉES TOXIQUES

L'échappement du moteur regorge du monoxyde de carbone, un gaz toxique inodore et incolore. L'usage du moteur à l'intérieur PEUT VOUS TUER!

MÊME EN CAS d'ouverture des portes et des fenêtres, STRICTEMENT EVITER d'en faire usage à l'intérieur d'un bâtiment ou d'une sorte d'enceinte.

Lors du positionnement du moteur, disposer le moteur dans un endroit bien ventilé et prendre en considération les courants d'air et de vent.

Altitude élevée

Une fois qu'il sera utilisé à une altitude de 5000 pieds (1524 mètres), ce moteur aura les performances du moteur et le contrôle des missions. En vue de garantir le bon fonctionnement du moteur et le contrôle des missions une fois qu'il est utilisé à des altitudes supérieures 5000 pieds (1524 mètres), ce moteur nécessite un kit de carburateur haute altitude. L'activation du moteur avec une mauvaise configuration de moteur au-dessus de 5000 pieds (1524 mètres) est susceptible d'accroître ses émissions et diminuer son rendement énergétique et sa performance. Contacter FNA Group à CRXservice@Fna-Group.com ou au 1-833-279-3646 en vue d'obtenir un kit de carburateur haute altitude.

⚠ ATTENTION

À une altitude inférieure à 5000 pieds (1524 mètres), le fonctionnement du moteur avec un kit de carburateur haute altitude est susceptible d'entraîner un sur-chauffage du moteur et d'endommager sérieusement le moteur.

Condition d'opération

- Se rassurer qu'il n'y a pas de pièces desserrées ou endommagées, de signes de fuite d'huile ou de carburant et de toute autre condition pouvant affecter un fonctionnement optimal.
- Réparer ou remplacer au plus vite toutes les pièces endommagées ou défectueuses.

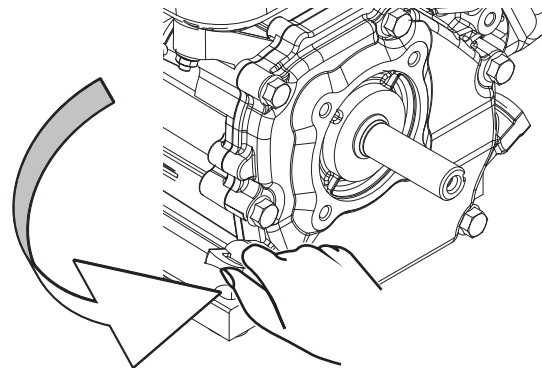
⚠ AVERTISSEMENT:

Manquer de corriger le (s) problème (s) avant usage est susceptible d'entraîner des dégâts matériels, des blessures graves ou la MORT.

- Evacuer tout excès de saleté ou de débris, surtout autour du silencieux et du démarreur à recul.
- Se référer au mode d'usage de l'équipement alimenté par ce moteur. Éviter d'activer ce moteur sur une surface inclinée supérieure à 15° dans une direction quelconque.

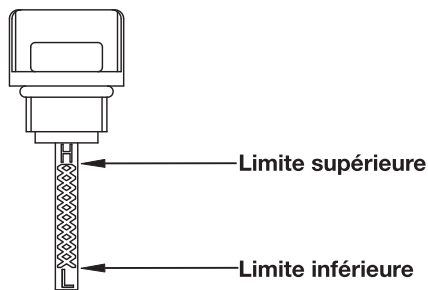
Huile moteur

- Disposer le moteur sur une surface plane avec le moteur arrêté.
- Retirer la jauge et la nettoyer.



Retirer la jauge

- Réinstaller la jauge dans le trou, reposer sur le col de remplissage d'huile, EVITER d'enfiler le bouchon dans le trou.
- Retirer à nouveau la jauge et vérifier le niveau d'huile. Le niveau devrait être au sommet de l'indicateur sur la jauge.



Jauge

- Au cas où le niveau d'huile est bas, remplir jusqu'à la limite supérieure de la jauge avec l'huile recommandée.
- Réinstaller et resserrer entièrement la jauge.
- Une lubrification insuffisante est susceptible d'entraîner des dégâts au moteur.
Se référer à la section **ajouter** des instructions **d'huile** dans la section **ENTRETIEN** pour plus d'informations.
- Voir **SPÉCIFICATIONS** pour la capacité d'huile et le type d'huile; Page 10.

⚠ AVERTISSEMENT:

Ce moteur n'est pas rempli d'huile en usine. Toute tentative de démarrer le moteur avant qu'il ne soit correctement rempli avec le type et la quantité d'huile recommandés est susceptible d'endommager le moteur et d'annuler la garantie.

⚠ AVERTISSEMENT:

L'huile constitue un facteur majeur qui affecte la performance et la durée de vie. Faire usage de l'huile détergente pour automobile à 4 temps recommandée dans la section **ENTRETIEN** de ce manuel.

Carburant moteur

- Moteur arrêté, contrôler la jauge de niveau du carburant. Remplir le réservoir de carburant en cas de nécessité.

⚠ ATTENTION

Une pression est susceptible de s'accumuler dans le réservoir de carburant. Avant de retirer le bouchon du réservoir, laisser le moteur refroidir pendant au moins deux minutes. En vue d'évacuer toute pression dans le réservoir, desserrer lentement le bouchon du réservoir de carburant.

- Avec un indice d'octane d'au moins 87, faire usage de l'essence ordinaire sans plomb propre et fraîche. **EVITER** de mélanger de l'huile avec de l'essence ou d'utiliser de l'essence de plus de 30 jours d'existence. **EVITER** d'utiliser de l'essence contenant plus de 10% d'alcool éthylique. E15, E20 et E85 ne sont **PAS** des carburants approuvés et ne doivent **PAS** être exploités.
- Eviter de remplir le réservoir de carburant au-dessus du repère de limite supérieure. Ne jamais oublier de laisser de la place pour l'expansion du carburant.
- Voir **SPÉCIFICATIONS** pour la capacité du carburant (nominale); Page 10.



REGARDER AVANT DE POMPER !

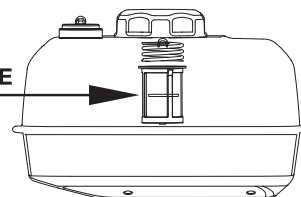
N'UTILISEZ PAS UN CARBURANT DONT LA TENEUR EN ETHANOL EST SUPERIEURE A 10% !

IMPORTANT: L'*Ethanol Shield™* (vendu séparément) est un stabilisateur de carburant permettant d'évacuer et de prévenir les problèmes liés à l'éthanol dans les équipements électriques. Respecter les instructions sur le récipient et les ajouter à l'essence.

Pourcentage d'éthanol
 <10% OK NO 15%–30%–85%

REMARQUE: L'usage de carburants contenant plus de 10% d'éthanol n'est pas approuvé pour usage dans ce produit conformément aux règlements de l'EPA et entraînera l'endommagement du dispositif et l'annulation de la garantie.

Position d'ajout de carburant **MAXIMALE**



⚠ AVERTISSEMENT:

Eviter de remplir le réservoir de carburant au-dessus du niveau de carburant maximum.



⚠ DANGER:

INCENDIE OU EXPLOSION

L'essence est très inflammable et très explosive. Un incendie ou une explosion est susceptible d'entraîner de graves brûlures ou la mort. Se débarrasser des articles inflammables pendant la manipulation de l'essence. Avec le moteur arrêté, remplir le réservoir de carburant à l'extérieur et dans un endroit bien ventilé. Ne jamais oublier d'essuyer le carburant renversé et attendre que le carburant ait séché avant le démarrage du moteur. En cas de fuites connues dans le circuit d'alimentation, **EVITER** de faire fonctionner le moteur. Employer des procédures idoines de stockage et de manipulation du carburant. **EVITER** de stocker du carburant ou d'autres matériaux inflammables à proximité. Avant d'entreposer ou de transporter ce moteur, vider le réservoir de carburant. Au regard d'un éventuel incendie, garder l'extincteur à portée de main et rester sur ses gardes.

STRICTEMENT EVITER de faire usage de produits de nettoyage de moteur ou de carburateur dans le réservoir de carburant, le cas échéant, des dégâts permanents peuvent survenir. Il est important d'éviter la formation des dépôts de gomme dans les parties essentielles du système d'alimentation, notamment le carburateur, le filtre à carburant, le tuyau de carburant ou le réservoir pendant le stockage. En sus, il est démontré que les carburants mélangés à l'alcool (appelés gasohol, éthanol ou méthanol) sont susceptibles d'attirer l'humidité, ce qui entraîne la séparation et la formation d'acides au cours du stockage. Le carburant acide est susceptible d'entraîner l'endommagement du circuit d'alimentation d'un moteur au cours du stockage. Ne pas oublier de consulter les instructions données dans «Stockage» à la page 9. Mélanges essence/alcool: jusqu'à 10% d'alcool, 90% d'essence sans plomb en volume est reconnu comme carburant. Les autres mélanges d'essence/d'alcool ne sont pas reconnus. Les effets du carburant ancien, éventé ou contaminé ne sont pas garantissables.

⚠ ATTENTION

Eviter d'utiliser de l'essence au cours de la saison précédente en vue de réduire les dépôts de gomme dans le système de carburant et d'assurer un démarrage facile.

Vérifier l'équipement

En vue de connaître les précautions et les procédures à suivre avant le démarrage du moteur, revoir les instructions fournies au fabricant de l'équipement.

⚠ AVERTISSEMENT:

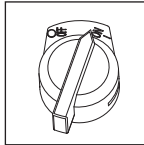
Pour des applications spécifiques, ce moteur est conçu et fabriqué. Pour une application pour laquelle il n'a pas été conçu, éviter de modifier l'équipement ou de l'utiliser. Bien vouloir contacter FNA Group à l'adresse CRXservice@Fna-Group.com ou au 1-833-279-3646 au cas où vous avez des questions sur des applications spécifiques.

Démarrage du moteur

1. Effectuer la **LISTE DE CONTROLE DE FONCTIONNEMENT** (Page 4).
2. Glissez le commutateur de carburant en position ON.



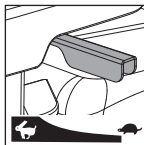
3. Tournez le ON/OFF bouton en position **ON**.



4. Glissez le levier de l'étranglement vers la position du starter.



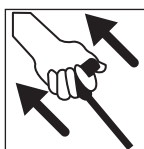
5. Déplacez le levier des gaz vers la position rapide.



6. Pour le démarrage électrique, reportez-vous au manuel de votre équipement.
7. Pour démarrer manuellement le moteur, mettez d'abord l'interrupteur sur ON (reportez-vous au manuel de votre équipement). Saisissez la poignée du démarreur et tirez lentement jusqu'à ce que la résistance soit ressentie. Tirer rapidement pour éviter le kickback.

⚠ AVERTISSEMENT:

Contrôler les conditions du cordon du démarreur avant usage. Au cas où le cordon est effiloché, le faire remplacer immédiatement



⚠ AVERTISSEMENT:

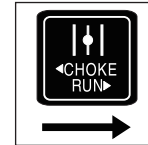
REBOND

Une rétraction rapide du cordon de démarrage entraînera votre main et votre bras vers le moteur plus vite que vous ne pouvez le laisser partir.

Les départs accidentels peuvent entraîner un enchevêtrement, une amputation traumatique ou une laceration.

Des os cassés, des fractures, des ecchymoses ou des entorses pourraient en résulter.

8. Lorsque le moteur est en marche, glissez le levier de l'étranglement vers la position de course.



Remarque: il n'est pas indispensable de faire fonctionner le starter au cas où le moteur est chaud.

9. Laissez le moteur chauffer 1 à 2 minutes avant d'utiliser ce produit.

⚠ AVERTISSEMENT:

Toujours faire tourner le moteur sur une surface plane. Une pente de plus de 15° est susceptible de faire basculer le moteur et entraîner des dégâts matériels, des blessures graves ou la MORT.

Arrêt du moteur

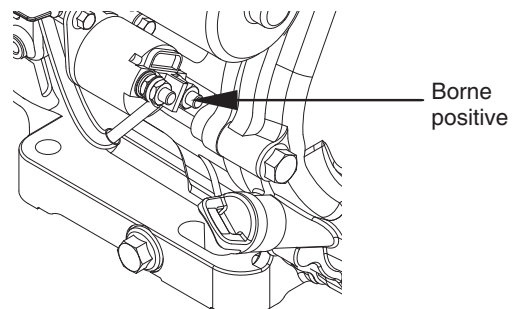
1. Retirer la (les) charge (s) du moteur si possible.
2. En vue de stabiliser les températures internes du moteur, laisser tourner le moteur à vide pendant quelques minutes.
3. Mettez l'interrupteur sur OFF (reportez-vous au manuel de votre équipement)
4. Tournez le commutateur de carburant à la position OFF.

Application des bornes

Le démarreur du moteur nécessite que le système électrique soit démarré ou alimenté par une batterie de 12 volts (V) d'une capacité minimale de 14 ampères-heures (Ah). Le fil positif (+) de la batterie se connecte à la borne positive du relais du démarreur. Connectez le fil négatif (-) de la batterie à un boulon de montage du moteur, au cadre conducteur supportant le moteur ou à tout autre point de mise à la terre du moteur.

⚠ CAUTION:

NE PAS connecter le fil négatif (-) de la batterie à la base de montage du filtre à huile ou à toute autre partie du circuit de carburant.



ENTRETIEN

Un atelier de réparation ou une personne de son choix est susceptible d'entretenir, remplacer ou réparer des dispositifs et des systèmes antipollution; par contre, il est recommandé que les remplacements ou les réparations sous garantie soient effectués par un centre de distribution ou de service FNA. Bien vouloir contacter FNA Group à l'adresse CRXservice@Fna-Group.com ou au 1-833-279-3646 en vue d'obtenir des informations sur la façon de procéder à une réclamation au titre de la garantie ou en vue de prendre des dispositions au regard des réparations autorisées. Effectuer tous les travaux d'entretien programmés en temps opportun est de la responsabilité du propriétaire / de l'exploitant. Rectifier tout problème avant l'utilisation du moteur. Ne jamais oublier de respecter les recommandations d'inspection et d'entretien et les horaires de ce manuel. Arrêter le moteur, débrancher la batterie (le cas échéant) et laisser le moteur refroidir avant de procéder à l'entretien du moteur.

⚠ AVERTISSEMENT:

Un entretien non-conforme ou la non-résolution d'un problème avant usage est susceptible d'entraîner un dysfonctionnement, des dégâts matériels, des blessures graves ou la MORT. Un entretien non-conforme est susceptible d'annuler votre garantie.



⚠ DANGER:

Les démarrages accidentels sont susceptibles d'entraîner des blessures graves ou la mort. Déposer le fil de la bougie d'allumage avant toute intervention.

⚠ ATTENTION

L'élément de filtre est susceptible de contenir des hydrocarbures polycycliques aromatiques (HAP). Les HAP sont nocifs pour votre santé. Bien vouloir enfiler des gants pour la protection au cours de l'entretien du filtre à air.

Calendrier d'entretien

Respecter les intervalles de service indiqués dans le tableau ci-dessous. Une fois que vous travaillez dans des conditions précaires, notamment poussière excessive ou débris en suspension dans l'air, humidité élevée, vibrations élevées ou chaleur intense ou lumière du soleil, il se peut que l'entretien plus fréquent de votre moteur soit indispensable.

		Chaque fois avant usage	Le premier mois ou 10 heures <small>Remarque 2</small>	Tous les trois mois ou 50 heures <small>Remarque 2</small>	Tous les six mois ou 100 heures <small>Remarque 2</small>	Chaque année ou 300 heures <small>Remarque 2</small>
Huile moteur	Inspection	√				
	Remplacement		√		√	
Filtre à air	Inspection	√				
	Nettoyage			√ <small>Remarque 3</small>		
Bougie d'allumage	Inspection et réglage				√	
	Remplacement					√
Pare-étincelles <small>Remarque 1</small>	Nettoyage				√	
Vitesse du ralenti	Inspection et réglage					√ <small>Remarque 4</small>
Jeu de soupapes	Inspection et réglage					√ <small>Remarque 4</small>
Cartouche de carbone <small>Remarque 1</small>	Inspection	Tous les deux ans <small>Remarque 4</small>				
Tube de cartouche de carbone <small>Remarque 1</small>	Inspection	Tous les deux ans <small>Remarque 4</small>				
Tube de reniflard d'huile évaporative	Inspection	Tous les deux ans <small>Remarque 4</small>				

Remarque 1: Remplacer si endommagé.

Remarque 2: Avant chaque saison et après (peu importe lequel vient en premier).

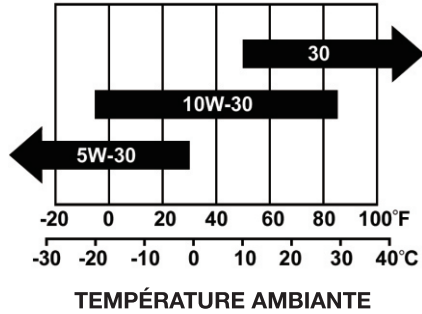
Remarque 3: Procéder à un entretien plus fréquent dans des conditions sévères, poussiéreuses et sales.

Remarque 4: À exécuter par des propriétaires avertis et expérimentés ou par le concessionnaire autorisé.

Entretien général

Huile moteur

SAE 10W-30 est recommandée pour un usage général à toutes températures. Une fois que la température moyenne dans votre région se situe dans la plage indiquée, d'autres viscosités décrites dans le tableau sont susceptibles d'être utilisées.

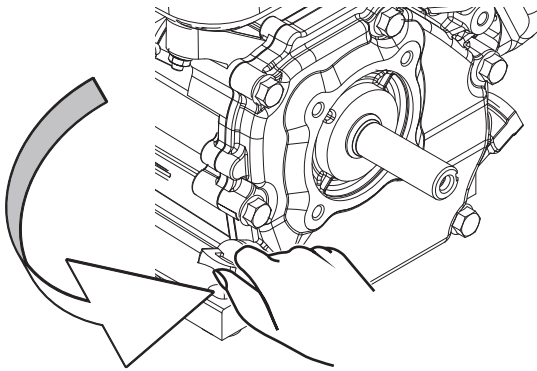


TEMPÉRATURE AMBIANTE

Voir spécifications pour la capacité nominale en huile; Page 10.

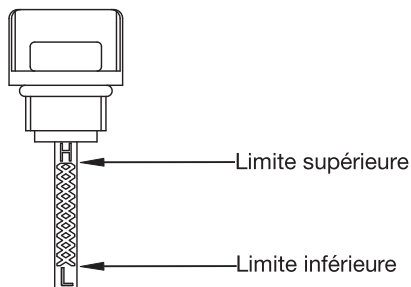
Ajouter de l'huile

1. Disposer le moteur sur une surface plane.
2. Retirer la jauge et l'essuyer.



Retirer la jauge

3. Ajouter de l'huile recommandée jusqu'à la limite supérieure.



Jauge

4. Entièrement serrer la jauge.
5. Correctement évacuer toute huile usée dans une installation agréée de gestion des déchets.

Changer d'huile

⚠ ATTENTION

Changer d'huile une fois que le moteur est chaud.

1. Disposer le moteur sur une surface plane.
2. Nettoyer la zone autour de la jauge et du bouchon de vidange.
3. Retirer la jauge d'huile.
4. Retirer le bouchon de vidange d'huile et laisser l'huile s'écouler entièrement.

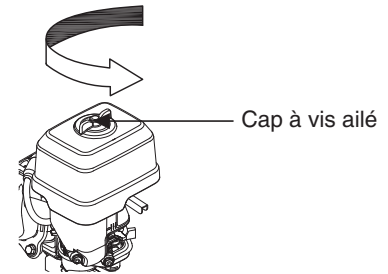
5. Réinstaller et resserrer entièrement le bouchon de vidange.
6. Voir **SPÉCIFICATIONS** (Page 10) pour l'huile nominale; Remplissez la limite supérieure. Réinstallez et serrez la jauge.
7. Se débarrasser de l'huile usée dans une installation agréée de gestion des déchets.

⚠ AVERTISSEMENT:

En usine, le moteur n'est pas rempli d'huile. Avant que le type et la quantité d'huile recommandés ne soient conformément remplis, toute utilisation effectuée est susceptible d'endommager le moteur et d'annuler la garantie.

Filtre à air

1. Dévisser l'écrou. Enlever le couvercle du filtre à air.



Retirer le couvercle du filtre à air

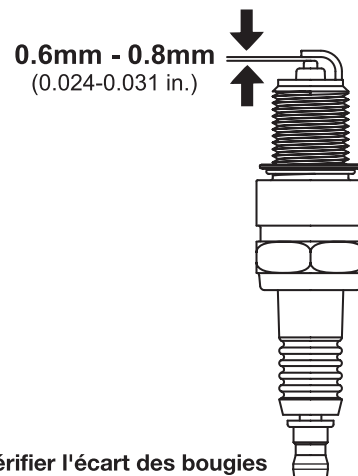
2. Enlevez l'élément filtre.
3. Nettoyez la terre et les débris.
4. Remplacez le filtre.
5. Réinstaller le couvercle du filtre à air, serrer l'écrou.

⚠ AVERTISSEMENT:

EVITER de faire tourner le moteur sans le filtre à air. Des dégâts graves au moteur sont susceptibles de survenir sans le filtre à air.

Bougie d'allumage

1. Retirer le capuchon de la bougie d'allumage.
2. Nettoyer la saleté du capuchon de la bougie et de la base de la bougie.
3. Employer une clé à douille pour desserrer et retirer la bougie d'allumage.
4. Contrôler la bougie et la rondelle de la bougie. Au cas où ils sont endommagés ou usés, les remplacer par des neufs. Au cas où elle est susceptible d'être réutilisée, nettoyer la bougie d'allumage avec une brosse métallique.
5. Contrôler l'espace entre les bougies. Plier minutieusement l'électrode latérale pour ajuster l'espace si indispensable.
Ecart des bougies: 0,6mm – 0,8mm (0.024-0.031 in.)



Vérifier l'écart des bougies

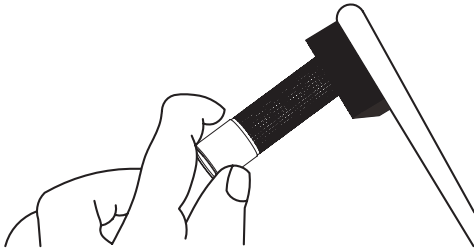
6. Enfiler minutieusement la prise dans le moteur à la main.
7. Après la mise en place de la bougie d'allumage, utiliser une clé à molette pour serrer à 15-18 pieds (20-25 N.m).
8. Fixer le capuchon de la bougie à la prise.

⚠ AVERTISSEMENT:

N'utilisez que la bougie d'allumage recommandée ou son équivalent. N'utilisez pas de bougies avec une plage de chaleur inappropriée. Le moteur peut être endommagé.

**Pare-étincelles
(Types applicables)**

1. Avant de réparer le pare-étincelles, laisser le moteur refroidir entièrement.
2. Les deux vis retenant la plaque de protection qui retient le bout du pare-étincelles au silencieux doivent être retirés.
3. Retirer l'écran du pare-étincelles.
4. Les dépôts de carbone du pare-étincelles doivent être retirés avec précaution à l'aide d'une brosse métallique.
5. En cas de dégâts, remplacer le pare-étincelles.
6. Réinstaller le pare-étincelles dans le silencieux et le fixer avec les deux vis.



Nettoyer les dépôts de carbone

Vitesse du ralenti

La vitesse du ralenti a été préréglée en usine et devrait rarement nécessiter un réglage à nouveau.

⚠ AVERTISSEMENT:

Un réglage non-conforme du régime du ralenti endommagera votre moteur et annulera votre garantie

Réglage

Aucun entretien ou réglage supplémentaire n'est requis pour votre moteur sauf tel qu'indiqué dans ce manuel.

Des réglages non-conformes ou une altération sont susceptibles d'endommager votre moteur et votre équipement et annulera votre garantie.

⚠ AVERTISSEMENT:

L'altération du régulateur d'usine endommagera votre moteur et annulera votre garantie.

Si votre moteur ne fonctionne pas correctement ou s'il y a des pièces manquantes ou cassées, ne le ramenez pas au lieu d'achat.

Contactez notre Service client au 1-833-279-3646 ou CRXservice@Fna-Group.com.

ANALYSE DES PANNES ET DÉPANNAGE

Phénomène	Problèmes	Solutions
Le moteur n'est pas susceptible de démarrer.	Le commutateur ARRETER/DEMARRER est en position ARRETER	Régler le commutateur ARRETER/DEMARRER sur DEMARRER .
	Il y a absence de carburant.	Remplir le réservoir selon les instructions de ce manuel.
	Huile moteur inappropriée.	Contrôler le niveau d'huile. Le moteur n'est susceptible de démarrer qu'au cas où le niveau d'huile est supérieur à la limite inférieure recommandée.
	Il n'y a pas d'allumage.	En utilisant un testeur d'étincelles externe, assurez-vous que le cylindre a la bonne étincelle. Si l'étincelle est faible ou complètement manquante, contactez votre concessionnaire local.

STOCKAGE

Respecter les instructions ci-dessous pour le stockage à plus long terme au cas où le moteur est hors service pendant 30 jours ou plus.



⚠ DANGER:

INCENDIE OU EXPLOSION

L'essence est extrêmement inflammable et très explosive. Avant d'entreposer ou de transporter le moteur, vider le réservoir de carburant.

1. Changer d'huile une fois que le moteur est encore chaud.
2. Laisser complètement le moteur refroidir par la suite.
3. Vidanger complètement le carburant du réservoir de carburant, du tuyau de carburant et du carburateur.
4. Retirer la bougie et verser environ 1 oz d'huile moteur dans le cylindre. Réinstaller la bougie d'allumage. En vue de distribuer l'huile et lubrifier le cylindre, remonter le moteur lentement.
5. Nettoyer le moteur conformément aux instructions de la section Entretien.
6. Ranger l'appareil dans un lieu propre et sec à l'abri des rayons directs du soleil.

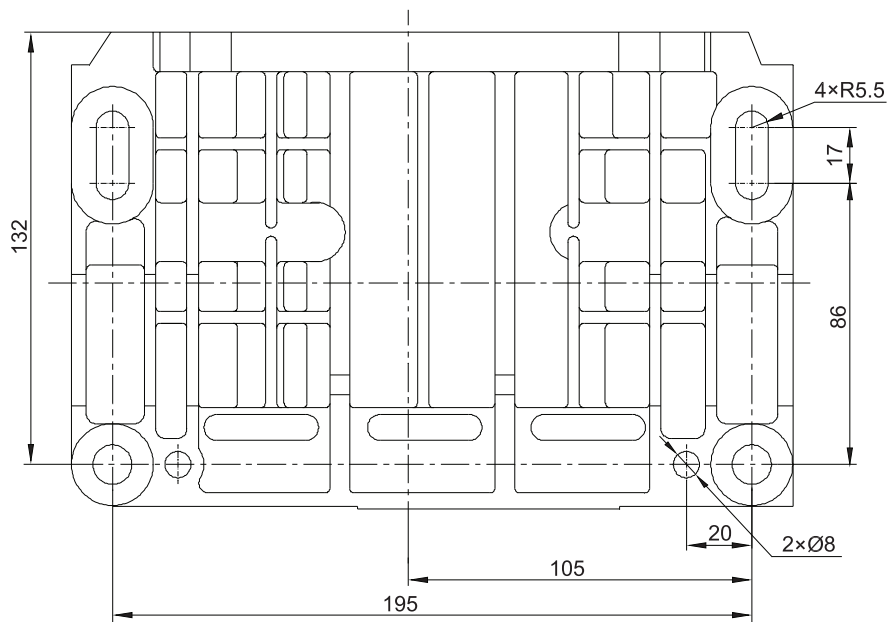
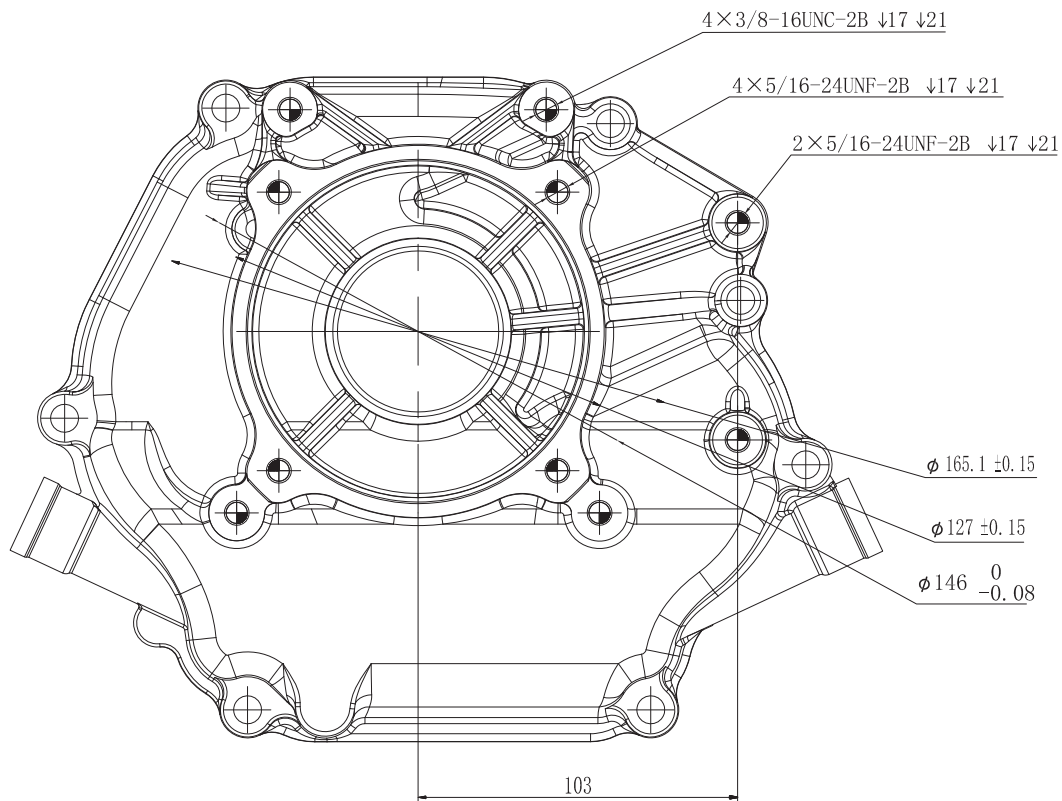
SPÉCIFICATIONS

Tableau des paramètres de spécification

Catégorie	Article	CRX420	
Paramètres de la structure principale	Agencement de soupape	Soupape de surpression	
	Nombre de bouteilles	1	
	Diamètre du cylindre (mm)	90	
	Course de piston (mm)	66	
	Déplacement total (cm ³)	420	
	Taux de compression	9.0:1	
	Puissance nominale selon SAE J1349 Puissance nette (Kw/rpm)	9.0/3600	
	Sens de rotation	Dans le sens inverse des aiguilles d'une montre (côté sortie du vilebrequin)	
	Angle d'avance d'allumage	30°±2°	
	Jeu de soupapes	Jeu de soupapes d'admission (mm)	0.004 – 0.006" (0.10 – 0.15mm)
		Jeu de soupapes d'émission (mm)	0.024 – 0.031" (0.6 – 0.8mm)
	Bougie d'allumage gap	0.006 – 0.008" (0.15 – 0.20mm)	
Carburant et huile de graissage	Type d'huile moteur	SAE 10W-30 API SG or newer	
	Livraison de carburant	Carburateur	
	Capacité du réservoir de carburant (L)	1.59 gal (6.0L)	
	Capacité d'huile de graissage (L)	39oz (1.1L)	
Dimension et masse	Dimension (Longueur x Largeur x Hauteur) (mm)	17.95 x 13.98 x 18.07" (456 x 355 x 459mm)	
	Poids (net)	73.9 lbs. (33.5Kg)	

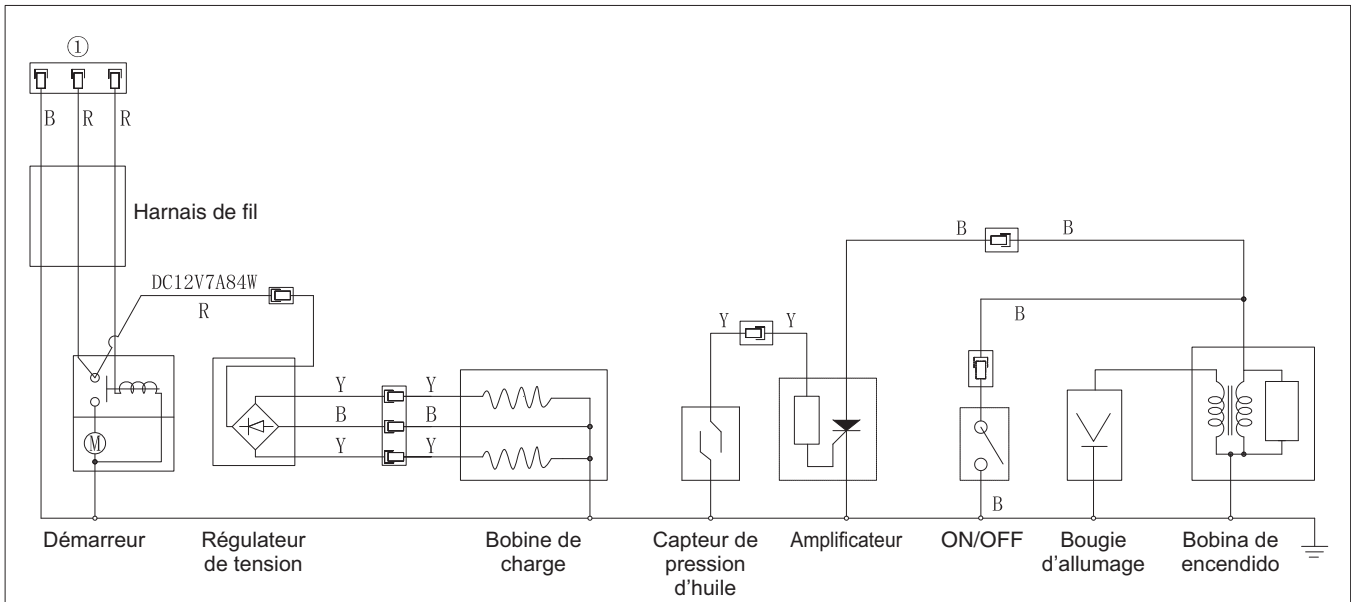
Dimension d'installation du couvercle de boîtier

CRX420



Todas las dimensiones están en milímetros (mm) a excepción de los callos del hilo.

Schéma électrique du moteur



Puerto	Type de port d'alimentation	Type de port terminal	Noter	Explication
①	HD034Y-7.8-21	B	Port de puissance pour le moteur de démarrage	Connectez la cathode de l'alimentation 12V DC
		R	Port de puissance pour le moteur de démarrage	Connectez-vous à l'anode d'alimentation 12V DC qui est le port d'entrée de puissance pour le démarrage électrique et le port de sortie de charge (DC12V/7A/84W).
		R	Lancer le port de manipulation du relais	Connectez le port à l'anode de l'alimentation 12V par flip le commutateur pour contrôler le relais a été allumé par les deux contacts du site de contrôle.

GARANTIE LIMITÉE

3 GARANTIE COMMERCIALE LIMITÉE D'UN AN

CONDITIONS DE COUVERTURE DE LA GARANTIE :

Le fabricant de ce produit accepte de réparer ou de remplacer les pièces désignées qui s'avèrent défectueuses pendant la période de garantie indiquée ci-dessous, à la seule discrétion du fabricant. Des limitations/extensions et exclusions spécifiques s'appliquent.

La présente garantie ne couvre que les défaillances liées aux matériaux et à la fabrication et non les défaillances de pièces dues à l'usure normale, à la dépréciation, à l'abus, aux dommages accidentels dus à la détérioration chimique, à l'accumulation de tartre, à la corrosion par la rouille ou à la dilatation thermique, à la négligence, à une utilisation ou un entretien inadéquats, à la qualité de l'eau ou au stockage. Pour faire une réclamation selon les termes de la garantie, toutes les pièces dites défectueuses doivent être conservées et disponibles pour être retournées sur demande à un centre de service de garantie désigné pour une inspection de garantie. Les jugements et décisions du fabricant concernant la validité des demandes de garantie sont définitifs.

Ces garanties sont transférées à l'utilisateur final et ne sont pas transférables. En tant que centre de service de garantie autorisé et formé par l'usine, l'usine honorera les termes de toutes les garanties des composants et satisfera les réclamations des dispositions de garantie appropriées.

Les éléments d'usure normale comprennent, sans s'y limiter, les bougies d'allumage, les réglages du carburateur, les réglages de l'allumage, les filtres, les vidanges d'huile, les câbles de démarreur à rappel, les balais de moteur électrique, les goupilles fendues, les joints d'étanchéité, les soupapes, les pistons ou toute autre pièce considérée comme élément d'usure, qui ne sont pas couverts par cette garantie. La garantie qui précède est exclusive et remplace toutes les autres garanties, qu'elles soient écrites, orales, explicites ou implicites. Il n'existe aucune garantie de qualité marchande ou d'adéquation d'un produit à un usage particulier. La seule responsabilité de FNA Group sera la réparation ou le remplacement des pièces comme indiqué ci-dessus. Le Groupe FNA ne peut en aucun cas être tenu responsable de pertes ou de dommages indirects, consécutifs, punitifs, spéciaux, exemplaires, ou de pertes économiques, commerciales, de pertes de revenus, de pertes de bénéfices ou d'opportunités commerciales, que cette responsabilité soit basée sur une rupture de contrat, un délit, une responsabilité stricte, une rupture de garantie, un manquement à un objectif essentiel ou autre, ou qu'elle soit le résultat direct des actions ou inactions du Groupe FNA. Étant donné que certains États ne permettent pas de limiter la durée d'une garantie implicite, la limitation ci-dessus peut ne pas s'appliquer à vous.

Le Groupe FNA n'assume aucune responsabilité pour les dommages accessoires, indirects ou autres, y compris, mais sans s'y limiter, les dépenses liées au transport du produit vers ou depuis un service agréé, le temps de déplacement d'un mécanicien, les frais de téléphone ou de communication, la location d'un produit similaire pendant que le service de garantie est effectué, tout autre temps ou dépenses de déplacement, la perte ou les dommages aux biens personnels, la perte de revenus, la perte d'utilisation du produit, la perte de temps ou tout autre inconvénient. Dans certains États, l'exclusion ou la limitation des dommages accessoires ou indirects n'est pas autorisée, de sorte que la limitation ou l'exclusion ci-dessus peut ne pas s'appliquer à votre cas.

Cette garantie remplace toutes les autres garanties, expresses ou implicites, y compris, mais sans s'y limiter, les garanties de qualité marchande ou d'adéquation à un usage particulier, et toutes ces garanties sont par la présente rejetées et exclues par le fabricant. L'obligation de garantie du fabricant se limite à la réparation et au remplacement des produits défectueux, comme prévu dans le présent document, et le fabricant ne peut être tenu responsable de toute autre perte, de tout autre dommage ou de toute autre dépense - y compris les dommages résultant de l'expédition, d'un accident, d'un abus, d'une catastrophe naturelle, d'une mauvaise utilisation ou d'une négligence. Il en va de même pour les dommages résultant de réparations effectuées avec des pièces non achetées auprès du fabricant ou de modifications effectuées par du personnel non autorisé par le fabricant. Le fait de ne pas installer et utiliser l'équipement conformément aux directives énoncées dans le manuel d'instructions annule la garantie.

RESPONSABILITÉ DE L'ACHETEUR D'ORIGINE (UTILISATEUR INITIAL) :

Pour traiter une demande de garantie, signalez le problème au 1-833-279-3646 ou à CRXservice@Fna-Group.com pour obtenir une autorisation et être dirigé vers le centre de service autorisé le plus proche de votre région.

Conservez le ticket de caisse original comme preuve d'achat pour les travaux sous garantie.

Faites preuve d'un soin raisonnable dans l'utilisation et l'entretien du produit, comme décrit dans le(s) manuel(s) d'utilisation.

DÉCLARATION DE GARANTIE FÉDÉRALE DU SYSTÈME DE CONTRÔLE DES ÉMISSIONS D'ÉCHAPPEMENT et D'ÉVAPORATION

VOS DROITS ET OBLIGATIONS EN MATIÈRE DE GARANTIE

L'Agence de protection de l'environnement des États-Unis (EPA) et FNA Group (FNA) ont le plaisir de vous expliquer la garantie du système de contrôle des émissions de gaz d'échappement et d'évaporation (« émissions ») de votre 2024 petit moteur ou équipement non routier (SORE). Les nouveaux équipements qui utilisent des petits moteurs non routiers doivent être conçus, construits et équipés pour répondre aux normes anti-smog strictes de l'État. FNA doit garantir le système de contrôle des émissions de votre SORE pour les périodes de temps indiquées ci-dessous, à condition qu'il n'y ait pas eu d'abus, de négligence ou d'entretien inadéquat de votre petit moteur ou équipement hors route menant à la défaillance du système de contrôle des émissions.

Votre système de contrôle des émissions peut inclure des pièces telles que le carburateur ou le système d'injection de carburant, le système d'allumage, le convertisseur catalytique, les réservoirs de carburant, les conduites de carburant (pour le carburant liquide et les vapeurs de carburant), les bouchons de carburant, les soupapes, les bidons, les filtres, les colliers et autres composants associés. Il peut également comprendre des tuyaux, des courroies, des connecteurs et d'autres assemblages liés aux émissions.

Lorsqu'une condition justifiable existe, FNA réparera votre SORE sans frais pour vous, y compris le diagnostic, les pièces et la main-d'œuvre.

COUVERTURE DE LA GARANTIE DU FABRICANT:

Le système d'échappement et de contrôle des émissions par évaporation de votre SORE est garanti pendant deux ans. Si une pièce liée aux émissions sur votre SORE est défectueuse, la pièce sera réparée ou remplacée par FNA.

RESPONSABILITÉS DU PROPRIÉTAIRE EN MATIÈRE DE GARANTIE:

En tant que propriétaire d'une SORE, vous êtes responsable de l'exécution de l'entretien requis indiqué dans votre manuel du propriétaire. FNA vous recommande de conserver tous les reçus couvrant l'entretien de votre SORE, mais FNA ne peut pas refuser la couverture de la garantie uniquement pour le manque de reçus ou pour votre manquement à assurer l'exécution de tous les entretiens prévus.

En tant que propriétaire de votre SORE, vous devez cependant être conscient que FNA peut refuser votre couverture de garantie si votre SORE ou une pièce a échoué à cause d'un abus, d'une négligence, d'un entretien incorrect ou de modifications non approuvées.

Vous êtes responsable de présenter votre SORE à un centre de distribution ou à un centre de service FNA dès que le problème existe. Les réparations sous garantie doivent être effectuées dans un délai raisonnable, ne dépassant pas 30 jours.

Si vous avez des questions concernant vos droits et responsabilités en matière de garantie, vous devez contacter **FNA Group** au **1-833-279-3646** ou à **CRXservice@Fna-Group.com**.

CONDITIONS DE GARANTIE DES DÉFAUTS:

(a) Champ d'application. Cet article s'applique aux systèmes de contrôle des émissions sur les petits moteurs hors route ou les équipements qui utilisent des petits moteurs hors route soumis aux normes d'émissions de cet article. La période de garantie commence à la date à laquelle le moteur ou l'équipement est livré à un acheteur final.

(b) Couverture de la garantie générale sur les émissions. Le moteur ou l'équipement doit être garanti à l'acheteur final et à tout propriétaire ultérieur que le système de contrôle des émissions était lorsqu'il a été installé:

- (1) Conçu, construit et équipé de manière à être conforme à tous les règlements applicables ; et
- (2) Exempt de défauts de matériaux et de fabrication entraînant la défaillance d'une pièce garantie pendant une période de deux ans.

(c) La garantie sur les pièces liées aux émissions sera interprétée comme suit:

(1) Toute pièce garantie dont le remplacement n'est pas prévu comme entretien obligatoire dans les instructions écrites fournies avec chaque nouveau moteur ou équipement doit être garantie pour la période de garantie définie dans le paragraphe (b)(2). Si une telle pièce tombe en panne pendant la période de couverture de la garantie, elle doit être réparée ou remplacée par FNA conformément au paragraphe (4) ci-dessous. Toute pièce réparée ou remplacée dans le cadre de la garantie doit être garantie pour une durée au moins égale à la période de garantie restante.

(2) Toute pièce garantie qui n'est prévue que pour une inspection régulière dans les instructions écrites fournies avec chaque nouveau moteur ou équipement doit être garantie pendant la période de garantie définie dans le paragraphe (b)(2). Une déclaration dans ces instructions écrites, du type « réparer ou remplacer si nécessaire », doit informer les propriétaires de la couverture de la garantie pour les pièces liées aux émissions. Le remplacement pendant la période de garantie est couvert par la garantie et ne réduira pas la période de couverture de la garantie. Toute pièce réparée ou remplacée sous garantie doit être garantie pour une durée au moins égale à la période de garantie restante.

(3) Toute pièce garantie dont le remplacement est prévu au titre de l'entretien obligatoire dans les instructions écrites fournies avec chaque nouveau moteur ou équipement doit être garantie pendant la période précédant le premier point de remplacement prévu pour cette pièce. Si la pièce tombe en panne avant le premier remplacement prévu, elle doit être réparée ou remplacée par le constructeur conformément au paragraphe (4) ci-dessous. Toute pièce réparée ou remplacée en vertu de la garantie doit être garantie pour une période au moins égale au reste de la période précédant le premier remplacement prévu de la pièce.

(4) La réparation ou le remplacement de toute pièce garantie en vertu des dispositions de garantie du présent article doit être effectué sans frais pour le propriétaire dans une station de garantie.

(5) Nonobstant les dispositions du paragraphe (4) ci-dessus, les services de garantie ou les réparations doivent être fournis dans les centres de distribution qui sont franchisés pour l'entretien des moteurs ou de l'équipement en question.

(6) Le propriétaire ne doit pas être facturé pour le travail de diagnostic qui permet de déterminer qu'une pièce garantie est en fait défectueuse, à condition que ce travail de diagnostic soit effectué dans une station de garantie.

(7) Tout au long de la période de garantie du système antipollution définie au paragraphe (b)(2), FNA doit maintenir un approvisionnement en pièces garanties suffisant pour répondre à la demande prévue pour ces pièces et doit obtenir des pièces supplémentaires si cet approvisionnement est épuisé.

(8) Les pièces de rechange approuvées par le fabricant qui n'augmentent pas les émissions de gaz d'échappement ou d'évaporation du moteur ou du système d'émission par évaporation doivent être utilisées lors de l'exécution de tout entretien ou de toute réparation sous garantie et doivent être fournies sans frais au propriétaire. Une telle utilisation ne réduira pas les obligations de garantie de FNA.

(9) L'utilisation de pièces ajoutées ou modifiées peut constituer un motif de rejet d'une demande de garantie faite conformément au présent article. FNA ne sera pas responsable, en vertu du présent article, des défaillances des pièces garanties causées par l'utilisation d'une pièce ajoutée ou modifiée.

(10) FNA fournira tout document décrivant les procédures ou politiques de garantie de FNA dans les cinq jours ouvrables suivant la demande de l'agent exécutif.

(d) Une liste de toutes les pièces de garantie des émissions doit être incluse avec chaque nouveau moteur ou équipement soumis au présent article. La liste des pièces de garantie des émissions doit inclure toutes les pièces dont la défaillance augmenterait les émissions de gaz d'échappement ou d'évaporation, et contient les pièces suivantes (le cas échéant):

(1) Système de dosage du carburant.

- Carburateur et pièces internes (et/ou régulateur de pression ou système d'injection de carburant).
- Système de rétroaction et de contrôle du rapport air/carburant.
- Système d'enrichissement pour démarrage à froid.

(2) Système d'induction d'air

- Système d'admission d'air chaud contrôlé.
- Collecteur d'admission.
- Filtre à air.

(3) Système d'allumage

- Bougies d'allumage.
- Magnéto ou système d'allumage électronique.
- Système d'avance/retard à l'allumage.

(4) Système de recirculation des gaz d'échappement (EGR)

- Corps de vanne EGR et entretoise de carburateur, le cas échéant.
- Système de contrôle et de rétroaction du taux de EGR.

(5) Système d'injection d'air

- Pompe à air ou soupape à impulsion.
- Soupapes affectant la distribution du débit.
- Collecteur de distribution.

(6) Système de catalyseur ou de réacteur thermique

- Convertisseur catalytique.
- Réacteur thermique.
- Collecteur d'échappement.

(7) Contrôles des particules

- Pièges, filtres, précipitateurs et tout autre dispositif utilisé pour capter les émissions de particules.

(8) Articles divers utilisés dans les systèmes ci-dessus

- Vannes et interrupteurs sensibles au vide, à la température et au temps.
- Commandes électroniques.
- Tuyaux, courroies, connecteurs et assemblages.

(9) Contrôles d'évaporation

- Réservoir de carburant
- Bouchon de carburant
- Conduites de carburant (pour le carburant liquide et les vapeurs de carburant)
- Raccords de conduite de carburant
- Colliers de serrage**
- Soupapes de décharge**
- Soupapes de contrôle**
- Solénoïdes de commande**
- Commandes électroniques**
- Membranes de contrôle du vide**
- Câbles de commande**
- Tringlerie de commande**
- Soupapes de purge
- Joints d'étanchéité
- Séparateur liquide/vapeur
- Cartouche de carbone
- Supports de montage des cartouches
- Connecteur de l'orifice de purge du carburateur

**Remarque: Dans la mesure où elles concernent le système de contrôle des émissions par évaporation.

Remarque: Toute autre déclaration de garantie s'appliquant aux moteurs ou aux unités d'équipement ne limite pas la période de garantie sur les émissions (deux ans) ou son applicabilité aux propriétaires ultérieurs après l'acheteur final.



Copyright. All Rights Reserved
FNA Group, Inc.
7152 99th Street
Pleasant Prairie, WI 53158
www.FNA-GROUP.com